

LF (125 kHz)
BIS L-409-045-001-07-S4
Order Code: BIS00CZ

BALLUFF

IO-Link

IO-Link Profil IDs N/A

Interface

Interface IO-Link
Process data IN 8 bytes

Material

Housing material PBT

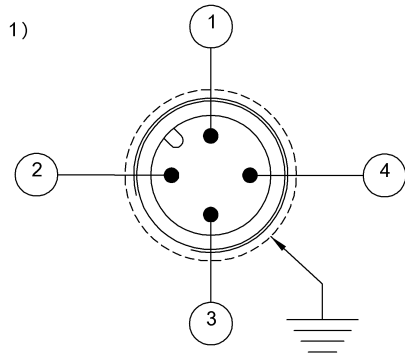
Mechanical data

Application weight 220.00 g
Dimension 40 x 41 x 120 mm
Installation metal-free (clear zone)

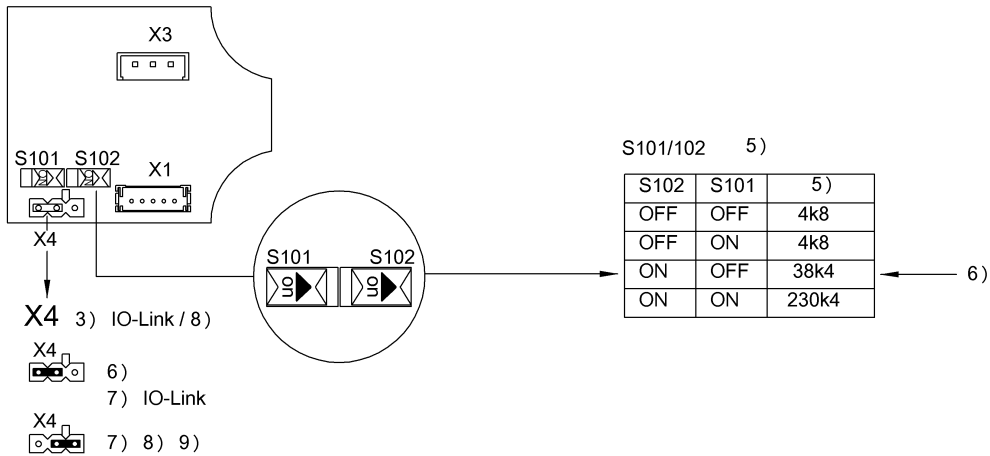
Remarks

For basic equipment see IO-Link catalog.
When installing, the technical standards and regulations of the corresponding countries must be observed.
Sensing face can be steplessly rotated (range 270°) and fixed with set screw
Values are under rated conditions unless otherwise specified.
Order accessories separately.
For installation in metal: Observe clear zone.
This device is intended to be supplied by a UL-listed or CSA-certified power supply unit with "Class 2" or LPS power source.
The devices must be installed permanently.
1. Determine a suitable mounting position.
2. Fasten the device with suitable mounting material.
The device can be cleaned with a slightly damp cloth.
Regularly check the function of the device and all associated components through visual and functional tests.
- Shut down the device in the event of malfunctions.
- Secure the system against unauthorized use.
- Check fastening and tighten if necessary.
The product is maintenance-free.

Help Views



- X1
 2)
 1 ——— L+
 2 ——— RxD 8)
 3 ——— L-
 4 ——— C/Q / TxD 8)
 ——— 4)



- 1) View towards connector
- 2) Connector 4-pin/ Function
- 3) Operating mode
- 4) Shield
- 5) Baud rate
- 6) Factory default setting
- 7) JP operating mode
- 8) Service
- 9) (Only for Balluff Service)

