

1) Sensing surface, 2) Clear zone, 3) Locking screw, 4) Module unit, 5) Mounting base, 6) Cable length, 7) Power, 8) Tag present



Basic features

Antenna type	round
Approval/Conformity	CE UKCA cULus WEEE
Principle of operation	Read head

Display/Operation

Power (ON)	Green LED
Tag Present (TP)	LED yellow

Electrical connection

Cable length L	0.5 m
Connection	M12x1-Male, 4-pin, A-coded
Connection type	Connector, 0.50 m, PU

Electrical data

Current consumption max. at 24 V DC	150 mA
Current load capacity in SIO-mode	≤ 50 mA Output short circuit protected
Operating voltage U_b	18...30 VDC
Residual ripple max.	1.3 Vpp

Environmental conditions

Altitude max.	2000 m
Ambient temperature	0...70 °C
Area of operation	Indoor
Contamination scale	2
Continuous shock load	yes
EN 60068-2-27, Shock	yes
EN 60068-2-32 Free fall	yes
EN 60068-2-6, Vibration	yes
IP rating	IP67
Relative humidity	0...90 %, non-condensing
Storage temperature	-20...85 °C

LF (125 kHz)
BIS L-409-045-003-07-S4
Order Code: BIS00E1

BALLUFF

IO-Link

IO-Link Profil IDs N/A

Interface

Interface IO-Link
Process data IN 8 bytes

Material

Housing material Brass, Interface PBT, nickel-plated
Housing material, surface protection nickel-plated
Material jacket PU

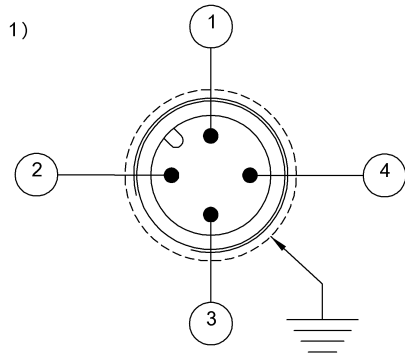
Mechanical data

Application weight 170.00 g
Dimension Ø 12 x 53 mm
Installation metal-free (clear zone)
Size M12x1

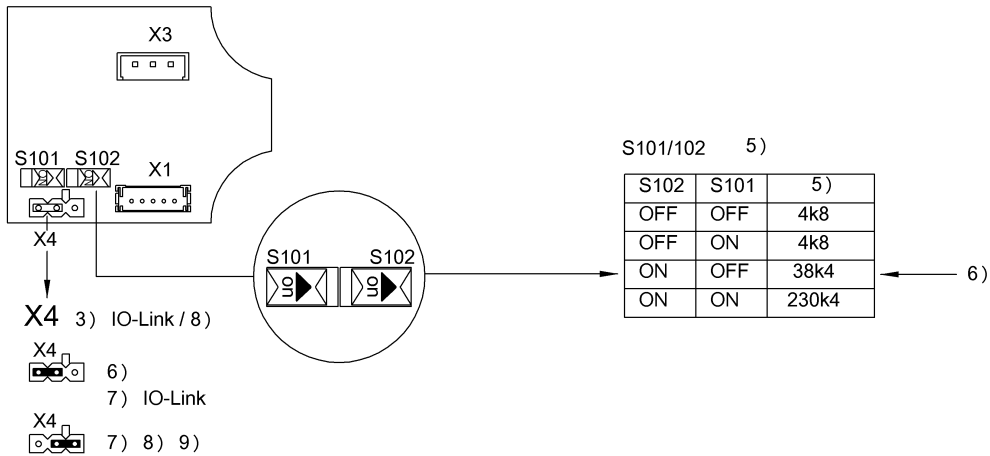
Remarks

For basic equipment see IO-Link catalog.
When installing, the technical standards and regulations of the corresponding countries must be observed.
Use included nuts for installation.
Values are under rated conditions unless otherwise specified.
Order accessories separately.
For installation in metal: Observe clear zone.
This device is intended to be supplied by a UL-listed or CSA-certified power supply unit with "Class 2" or LPS power source.
The devices must be installed permanently.
1. Determine a suitable mounting position.
2. Fasten the device with suitable mounting material.
The device can be cleaned with a slightly damp cloth.
Regularly check the function of the device and all associated components through visual and functional tests.
- Shut down the device in the event of malfunctions.
- Secure the system against unauthorized use.
- Check fastening and tighten if necessary.
The product is maintenance-free.

Help Views



- X1
 2)
 1 ——— L+
 2 ——— RxD 8)
 3 ——— L-
 4 ——— C/Q / TxD 8)
 ——— 4)



- 1) View towards connector
- 2) Connector 4-pin/ Function
- 3) Operating mode
- 4) Shield
- 5) Baud rate
- 6) Factory default setting
- 7) JP operating mode
- 8) Service
- 9) (Only for Balluff Service)

		BIS L-40x-xxx-003-__				
		BIS L-203-03/L BIS L-103-05/L-RO	metallfrei	non metal	metallfrei	non metal
Read Only						
passende Datenträger Appropriate data carriers						
Schreibabstand in mm Write distance in mm						
Leseabstand in mm Read distance in mm						
Versatz in mm bei Abstand von		0	±6	±6	±4	±2
Offset in mm at distance		3	±6	±4	±4	±2
		7				
		8				
		10				
		12				
		15				
		18				
		20				
		25				
		30				
		35				
		40				
		45				
		50				
		55				
		60				
		70				