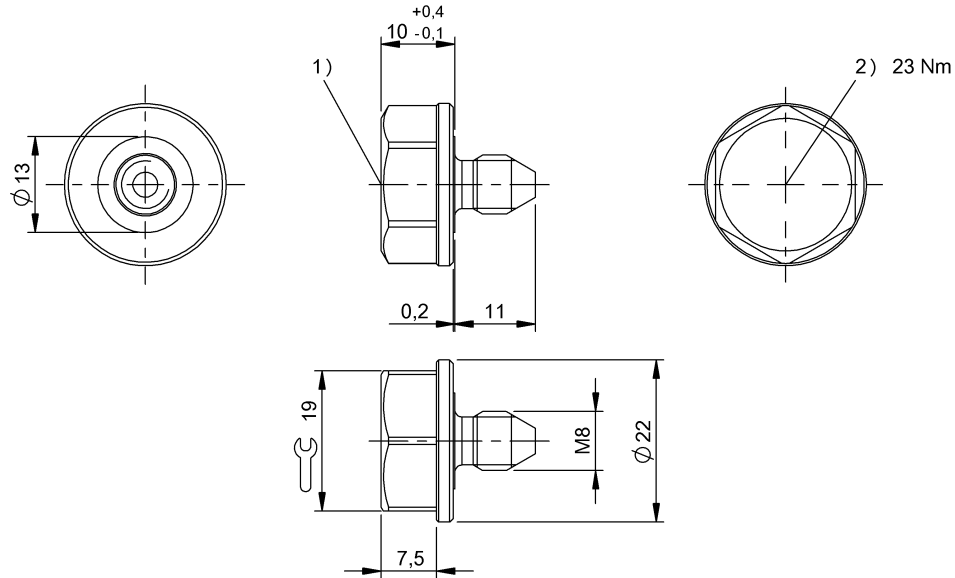


LF (70/455 kHz)  
**BIS C-140-11/L-M8**  
**Order Code: BIS00J1**

**BALLUFF**



1) Sensing surface, 2) Tightening torque



**Basic features**

<b>Antenna type</b>	round
<b>Approval/Conformity</b>	CE UKCA cULus WEEE
<b>EN 55011</b>	Size 1, Cl. A
<b>Principle of operation</b>	Data carrier

**Electrical data**

<b>Memory organization</b>	64 × 8 bits
<b>Programming cycles</b>	up to 30 °C: 1,000,000 up to 70 °C: 500,000
<b>Programming time</b>	for 1x8 bits: 0.45s for 64x8 bits: 1.1s
<b>Read cycles</b>	Unlimited
<b>Read time</b>	for 64x8 bits: 0.33 s

**Environmental conditions**

<b>Ambient temperature</b>	-25...70 °C
<b>Continuous shock load</b>	yes
<b>EN 60068-2-27, Shock</b>	yes
<b>EN 60068-2-32 Free fall</b>	yes
<b>EN 60068-2-6, Vibration</b>	yes
<b>IP rating per DIN 40050</b>	IP68 IPx9K
<b>Storage temperature</b>	-25...95 °C

**Functional Characteristics**

<b>Memory type</b>	EEPROM
<b>User data, read/write</b>	2047 Byte

**Material**

<b>Housing material</b>	Steel, PA 12, GF30, coated
<b>Housing material, surface protection</b>	coated

**Mechanical data**

<b>Application weight</b>	16.50 g
<b>Dimension</b>	Ø 22 x 21 mm
<b>Installation</b>	metal-free (clear zone) on metal flush in metal

LF (70/455 kHz)  
**BIS C-140-11/L-M8**  
**Order Code: BIS00J1**

**BALLUFF**

#### Remarks

---

Lubricate screw before installing.  
On the last page only 63x8 bits are usable.  
Time specification includes data check.  
For installation requirements see corresponding read/write head.  
Values are under rated conditions unless otherwise specified.  
Only together with converter BIS C-901 or BIS C-6xx and the appropriate read/write head.  
We recommend lightly oiling the data carrier screws and storing in a dry location at room temperature.