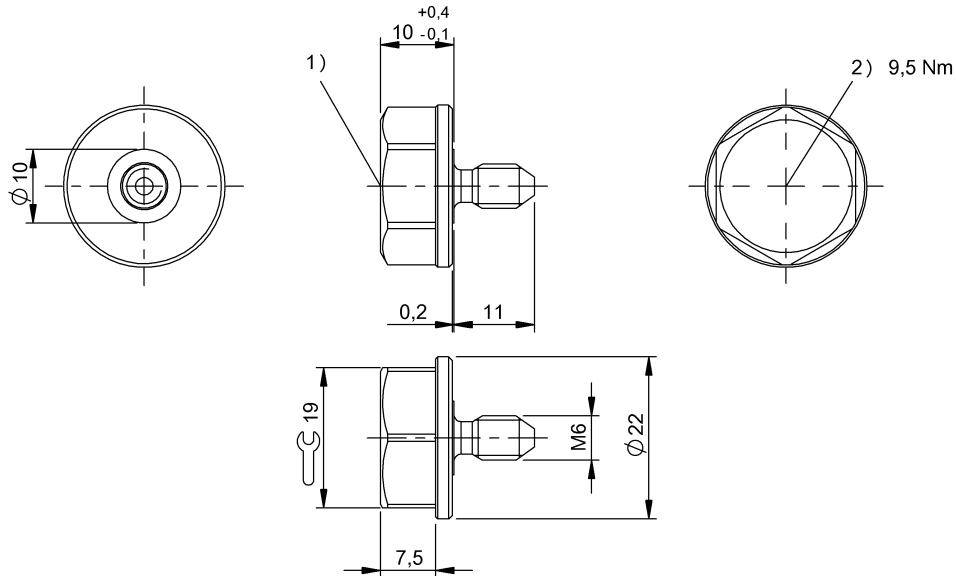


LF (70/455 kHz)
 BIS C-140-05/L-M6
 Order Code: BIS00J4

BALLUFF



1) Sensing surface, 2) Tightening torque



Basic features

Antenna type	round
Approval/Conformity	CE UKCA cULus WEEE
EN 55011	Size 1, Cl. A
Principle of operation	Data carrier

Electrical data

Memory organization	32 × 8 bits
Programming cycles	up to 30 °C: 1,000,000 up to 70 °C: 500,000
Programming time	for 1x8 bits: 0.3s for 32x8 bits: 0.6s
Read cycles	Unlimited
Read time	for 32x8 bits: 0.19 s

Environmental conditions

Ambient temperature	-25...70 °C
Continuous shock load	yes
EN 60068-2-27, Shock	yes
EN 60068-2-32 Free fall	yes
EN 60068-2-6, Vibration	yes
IP rating per DIN 40050	IP68 IPx9K
Storage temperature	-25...95 °C

Functional Characteristics

Memory type	EEPROM
User data, read/write	1023 Byte

Material

Housing material	Steel, PA 12, GF30, coated
Housing material, surface protection	coated

Mechanical data

Application weight	17.00 g
Dimension	Ø 22 x 21 mm
Installation	metal-free (clear zone) on metal flush in metal

LF (70/455 kHz)
BIS C-140-05/L-M6
Order Code: BIS00J4

BALLUFF

Remarks

Lubricate screw before installing.
On the last page only 31x8 bits are usable.
Time specification includes data check.
For installation requirements see corresponding read/write head.
Values are under rated conditions unless otherwise specified.
Only together with converter BIS C-901 or BIS C-6xx and the appropriate read/write head.
We recommend lightly oiling the data carrier screws and storing in a dry location at room temperature.