

1) Sensing surface



Basic features

| | |
|-------------------------------|--------------------|
| Antenna type | round |
| Approval/Conformity | CE UKCA WEEE |
| EN 55022 | Size 1, Cl. B |
| Principle of operation | Data carrier |

Electrical data

| | |
|----------------------------------|---|
| Data retention time/years | ≥ 10 at 55 °C |
| Memory organization | 250 × 8 bits |
| Programming cycles | ≥ 10.000.000.000 |
| Programming time | for 16 bytes: 0.060s |
| Read cycles | Unlimited |
| Read time | for 16 bytes: 0.03 s User ID for 8 bytes: 0.02 s |

Environmental conditions

| | |
|--------------------------------|---------------|
| Ambient temperature | -25...70 °C |
| Continuous shock load | yes |
| EN 60068-2-27, Shock | yes |
| EN 60068-2-32 Free fall | yes |
| EN 60068-2-6, Vibration | yes |
| IP rating per DIN 40050 | IP68 IPx9K |

Functional Characteristics

| | |
|-------------------------------------|-----------|
| Memory type | FRAM |
| UID serial number, read-only | 8 Byte |
| User data, read/write | 2000 Byte |

Material

| | |
|-------------------------|------------------------------------|
| Housing material | PA 12, GF30, With PU potting, gray |
|-------------------------|------------------------------------|

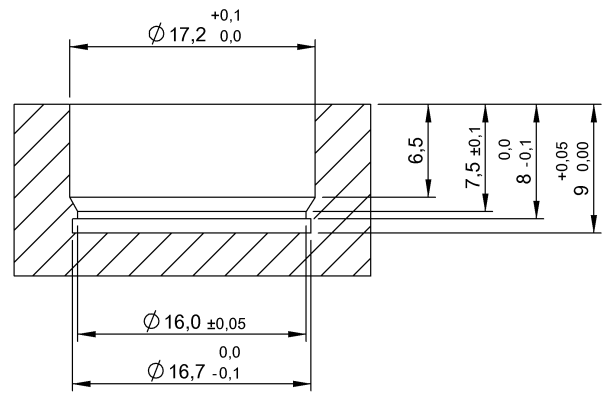
Mechanical data

| | |
|---------------------------|----------------|
| Application weight | 3.00 g |
| Dimension | Ø 17.2 x 14 mm |

Remarks

Values are under rated conditions unless otherwise specified.
 Only when used together with the appropriate read/write head.
 For installation requirements see corresponding read/write head.
 Time specification includes data check.
 Replacement data carrier for BIS M-142-02/A-Mx-GY

Help Views



Installation note