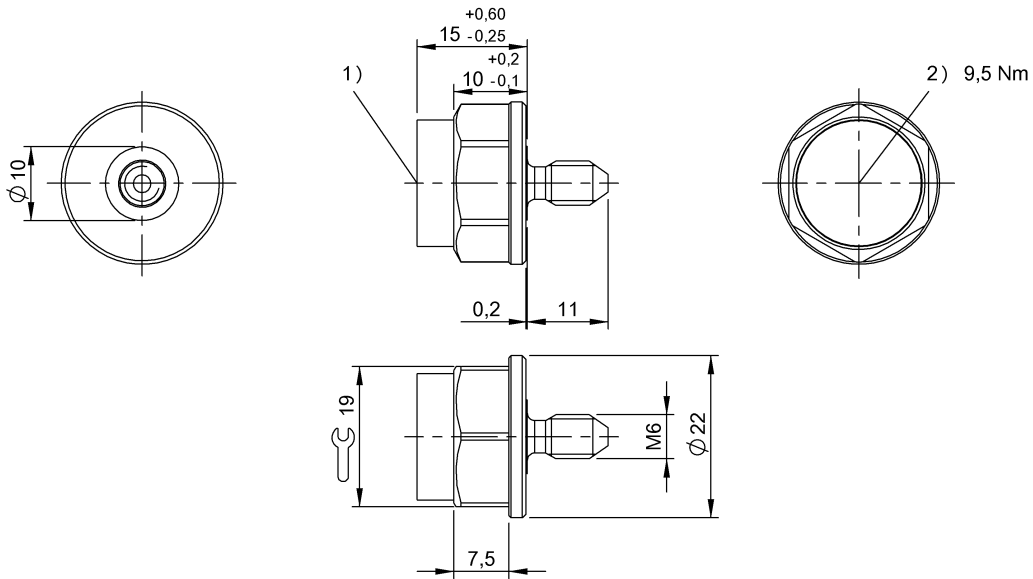


HF (13.56 MHz)
 BIS M-142-02/A-M6-GY
 Order Code: BIS00PT

BALLUFF



1) Sensing surface, 2) Tightening torque



Basic features

| | |
|------------------------|--------------------|
| Antenna type | round |
| Approval/Conformity | CE UKCA WEEE |
| EN 55022 | Size 1, Cl. B |
| Principle of operation | Data carrier |

Electrical data

| | |
|---------------------------|---|
| Data retention time/years | ≥ 10 at 55 °C |
| Memory organization | 250 × 8 bits |
| Programming cycles | ≥ 10.000.000.000 |
| Programming time | for 16 bytes: 0.060s |
| Read cycles | Unlimited |
| Read time | User ID for 8 bytes: 0.02 s for 16 bytes: 0.03 s |

Environmental conditions

| | |
|-------------------------|---------------|
| Ambient temperature | -25...70 °C |
| Continuous shock load | yes |
| EN 60068-2-27, Shock | yes |
| EN 60068-2-32 Free fall | yes |
| EN 60068-2-6, Vibration | yes |
| IP rating per DIN 40050 | IP68 IPx9K |

Functional Characteristics

| | |
|------------------------------|-----------|
| Memory type | FRAM |
| UID serial number, read-only | 8 Byte |
| User data, read/write | 2000 Byte |

Material

| | |
|--------------------------------------|--|
| Housing material | Steel, Data carrier: PA 12-GF30 gray, coated |
| Housing material, surface protection | coated |

Mechanical data

| | |
|--------------------|--------------|
| Application weight | 15.00 g |
| Dimension | Ø 22 x 26 mm |

HF (13.56 MHz)
BIS M-142-02/A-M6-GY
Order Code: BIS00PT

BALLUFF

Remarks

Time specification includes data check.
For installation requirements see corresponding read/write head.
Lubricate screw before installing.
Only when used together with the appropriate read/write head.
Values are under rated conditions unless otherwise specified.
We recommend lightly oiling the data carrier screws and storing in a dry location at room temperature.