

1) Sensing surface, 2) Data carrier, 3) Clear zone, 4) Tightening torque



Basic features

Antenna type	round
Approval/Conformity	CE UKCA cULus FCC IC (Radio) WEEE MIC KC NBTC IMDA
EN 55022	Gr. 1, Cl. A
Principle of operation	Processor unit

Environmental conditions

Altitude max.	2000 m
Ambient temperature	0...70 °C
Area of operation	Indoor
Contamination scale	2
Continuous shock load	yes
EN 60068-2-27, Shock	yes
EN 60068-2-32 Free fall	yes
EN 60068-2-6, Vibration	yes
IP rating	IP67
Relative humidity	0...90 %, non-condensing
Storage temperature	-20...85 °C

Display/Operation

Function indicator	Power (ON) Green LED TP (Tag Present) LED yellow
--------------------	---

Functional Characteristics

Supported data carrier types	DIN ISO 14443 DIN ISO 15693
------------------------------	--------------------------------------

Electrical connection

Connection	M12x1-Male, 4-pin, A-coded
------------	----------------------------

IO-Link

IO-Link Profil IDs	N/A
--------------------	-----

Electrical data

Current consumption max. at 24 V DC	150 mA
Operating voltage Ub	18...30 VDC Supports only LPS/ Class 2
Residual ripple max.	1.3 Vpp
Transfer rate	COM2 (38.4 kBaud)

Interface

Interface	IO-Link 1.1
Process data IN	32 bytes

Material

Housing material	Brass, Nickel-plated brass nuts, nickel-plated
Housing material, surface protection	nickel-plated

Mechanical data

Application weight	100.00 g
Dimension	Ø 30 x 83 mm
Installation	metal-free (clear zone)
Size	M30x1.5

Remarks

When installing, the technical standards and regulations of the corresponding countries must be observed.

Use included nuts for installation.

Values are under rated conditions unless otherwise specified.

For installation in metal: Observe clear zone.

For basic equipment: Accessories see www.balluff.com

This device is intended to be supplied by a UL-listed or CSA-certified power supply unit with "Class 2" or LPS power source.

The devices must be installed permanently.

1. Determine a suitable mounting position.

2. Fasten the device with suitable mounting material.

The device can be cleaned with a slightly damp cloth.

Regularly check the function of the device and all associated components through visual and functional tests.

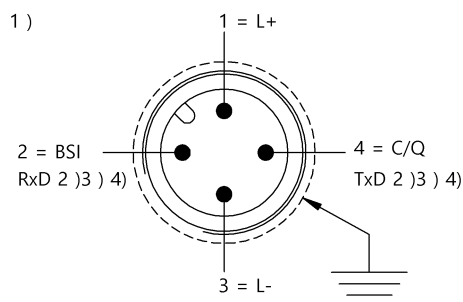
- Shut down the device in the event of malfunctions.

- Secure the system against unauthorized use.

- Check fastening and tighten if necessary.

The product is maintenance-free.

Connector Drawings



1) View towards connector

2) BSI service interface

3) Do not connect power

4) (Only for Balluff Service)

Help Views

BIS M-400-XXX-001-__

	BIS M-101-01/L	BIS M-102-01/L	BIS M-105-01/A	BIS M-105-02/A	BIS M-108-02/L
passende Datenträger Appropriate data carriers					
Abstand Datenträger zu Metall in mm (a) Data carrier distance to metal in mm	>25 >10 >5	>50 >15 >10	>20 >5	>20 >5	>25 >0
Freizone Datenträger in mm (b) Data carrier clear zone in mm	>100 >60 >50	>150 >90 >70	>100 >100	>100 >100	>100 >0
Schreibabstand in mm Write distance in mm	0-20 0-15 0-12	0-28 0-20 0-12	0-7 0-6	0-11 0-7	0-28 0-16
Leseabstand in mm Read distance in mm	0-20 0-15 0-12	0-28 0-20 0-12	0-7 0-6	0-11 0-7	0-28 0-16
Versatz in mm bei Abstand von	0 ±14 1 ±10 ±6	0-20 ±15 ±6	±7 ±6	±9 ±6	±16 ±10
Offset in mm at distance	5 ±14 ±10 ±6	±20 ±15 ±6	±7 ±6	±8 ±6	±16 ±10
	9 ±14 ±8 ±4	±20 ±15 ±3		±5	±14 ±8
	12 ±10 ±4 ±2	±20 ±13 ±2			±14 ±6
	15 ±10 ±2	±20 ±10			±14 ±6
	16 ±8	±18 ±3			±14 ±4
	18 ±6	±16			±14
	20 ±5	±15			±14
	22	±15			±12
	25	±10			±12
	30				
	32				
	35				
	40				
	43				
	45				
	50				
	52				
	60				
	65				
	70				

passende Datenträger
Appropriate data carriers

Abstand Datenträger zu Metall in mm (a)
Data carrier distance to metal in mm

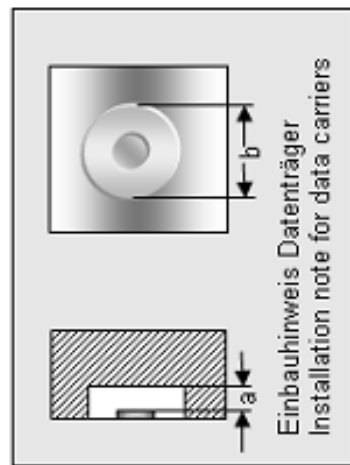
Freizone Datenträger in mm (b)
Data carrier clear zone in mm

Schreibabstand in mm
Write distance in mm

Leseabstand in mm
Read distance in mm

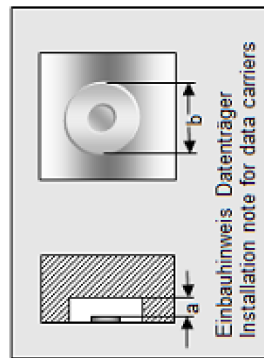
Versatz in mm
bei Abstand von

Offset in mm
at distance



BIS M-400-xxx-001-__

	BIS M-110-02/L	BIS M-111-02/L	BIS M-112-02/L	BIS M-132-03/L- HT	BIS M-135-03/L- HT
passende Datenträger Appropriate data carriers					
Abstand Datenträger zu Metall in mm (a) Data carrier distance to metal in mm	>25 >10 >5	>25 >10 >5	>50 >15 >10	>25 >0	>50
Freizone Datenträger in mm (b) Data carrier clear zone in mm	>100 >60 >50	>100 >60 >50	>150 >90 >70	>100 >100	>150
Schreibabstand in mm Write distance in mm	0-20 0-15 0-8	0-28 0-18 0-10	0-38 0-25 0-15	0-30 0-8	0-42
Leserabstand in mm Read distance in mm	0-20 0-15 0-8	0-28 0-18 0-10	0-38 0-25 0-15	0-30 0-8	0-42
Versatz in mm bei Abstand von	0 ±12 ±8 ±6	±16 ±10 ±7	±22 ±16 ±13	±18 ±8	±30
	5 ±12 ±8 ±5	±16 ±10 ±7	±22 ±16 ±13	±18 ±8	±30
	7 ±10 ±6 ±4	±14 ±8 ±2	±22 ±14 ±10	±18 ±6	±30
	8 ±10 ±6 ±2	±14 ±8 ±2	±22 ±14 ±10	±18 ±3	±30
	9 ±10 ±6	±14 ±8 ±2	±22 ±14 ±10	±18	±30
	10 ±8 ±4	±14 ±7 ±1	±20 ±13 ±8	±18	±30
	12 ±8 ±4	±14 ±7	±20 ±13 ±8	±18	±28
	15 ±8 ±2	±14 ±6	±20 ±12 ±6	±18	±28
	16 ±5	±14 ±3	±20 ±10	±18	±28
	18 ±5	±14 ±2	±20 ±10	±18	±28
	20 ±5	±14	±20 ±8	±18	±28
	22	±12	±20 ±6	±16	±24
	25	±12	±20 ±4	±16	±24
	30		±16	±5	±24
	32		±10		±24
	35		±10		±24
	38		±5		±5
	42				±5
	45				
	50				
	55				



BIS M-400-XXX-001-

	BIS M-107-03/L- H200	BIS M-140-02/A- XX	BIS M-142-02/A- XX	BIS M-143-02/A- XX	BIS M-144-02/A- XX
passende Datenträger Appropriate data carriers					
Abstand Datenträger zu Metall in mm (a) Data carrier distance to metal in mm	>25	>0	>0	>0	>0
Freizone Datenträger in mm (b) Data carrier clear zone in mm	>100	>100	>100	>100	>100
Schreibabstand in mm Write distance in mm	0-27	0-22	0-22	0-13	0-22
Leseabstand in mm Read distance in mm	0-27	0-22	0-22	0-13	0-22
Versatz in mm bei Abstand von	0 5 10 13 15 18 20 22 25 27	±16 ±10 ±10 ±7 ±5	±13 ±13 ±13 ±11 ±11 ±11 ±7 ±7	±13 ±10 ±10 ±9 ±5	±13 ±13 ±13 ±11 ±11 ±11 ±7 ±7
Offset in mm at distance	30 32 35 40 43 45 50 52 60 65 70	±5			

