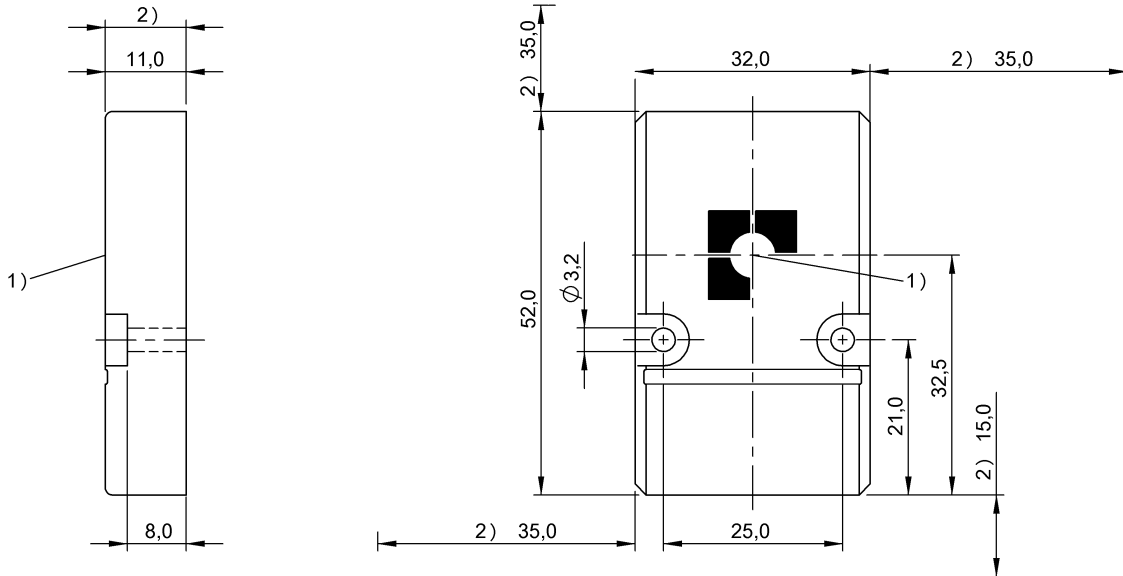


HF (13.56 MHz)
 BIS M-108-13/A
 Order Code: BIS011E

BALLUFF



1) Sensing surface, 2) Clear zone



Basic features

Antenna type	round
Approval/Conformity	CE UKCA WEEE
EN 55022	Size 1, Cl. B
Principle of operation	Data carrier

Electrical data

Data retention time/years	≥ 10 at 55 °C
Programming cycles	≥ 10.000.000.000
Programming time	for 16 bytes: 0.006s
Read cycles	Unlimited
Read time	User ID for 8 bytes: 0.02 s for 16 bytes: 0.003 s

Environmental conditions

Ambient temperature	-25...70 °C
Continuous shock load	yes
EN 60068-2-27, Shock	yes
EN 60068-2-32 Free fall	yes
EN 60068-2-6, Vibration	yes
IP rating	IP67
Storage temperature	-25...85 °C

Functional Characteristics

Memory type	FRAM
Supported data carrier types	DIN ISO 15693 (High Memory)
UID serial number, read-only	8 Byte
User data, read/write	32768 Byte

Material

Housing material	PBT, GF
------------------	---------

Mechanical data

Application weight	27.00 g
Dimension	32 x 11 x 52 mm
Installation	metal-free (clear zone) on metal

HF (13.56 MHz)
BIS M-108-13/A
Order Code: BIS011E

BALLUFF

Remarks

For installation in metal: Observe clear zone.
Time specification includes data check.
For installation requirements see corresponding read/write head.
Only when used together with the appropriate read/write head.
Values are under rated conditions unless otherwise specified.
Impact loading not permitted.