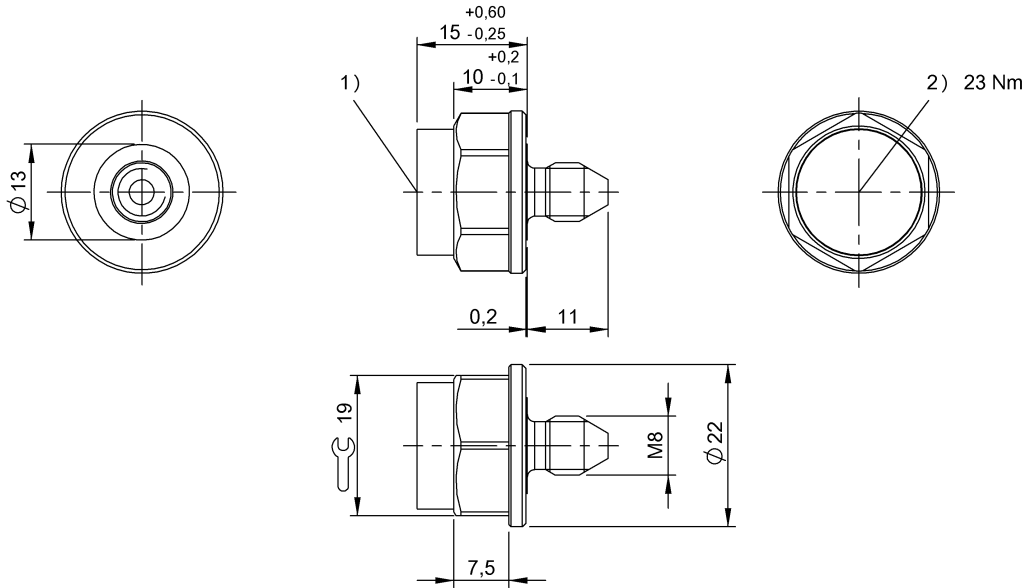


HF (13.56 MHz)
 BIS M-142-11/A-M8-GY
 Order Code: BIS011H

BALLUFF



1) Sensing surface, 2) Tightening torque



Basic features

| | |
|------------------------|--------------------|
| Antenna type | round |
| Approval/Conformity | CE UKCA WEEE |
| EN 55022 | Size 1, Cl. B |
| Principle of operation | Data carrier |

Electrical data

| | |
|---------------------------|--|
| Data retention time/years | ≥ 10 at 55 °C |
| Programming cycles | ≥ 10.000.000.000 |
| Programming time | for 16 bytes: 0.006s |
| Read cycles | Unlimited |
| Read time | User ID for 8 bytes: 0.02 s for 16 bytes: 0.003 s |

Environmental conditions

| | |
|-------------------------|---------------|
| Ambient temperature | -25...70 °C |
| Continuous shock load | yes |
| EN 60068-2-27, Shock | yes |
| EN 60068-2-32 Free fall | yes |
| EN 60068-2-6, Vibration | yes |
| IP rating per DIN 40050 | IP68 IPx9K |
| Storage temperature | -25...95 °C |

Functional Characteristics

| | |
|------------------------------|--------------------------------------|
| Memory type | FRAM |
| Supported data carrier types | DIN ISO 15693 (High Memory) |
| UID serial number, read-only | 8 Byte |
| User data, read/write | 8192 Byte |

Material

| | |
|--------------------------------------|---|
| Housing material | Steel, Data carrier: PA 12-GF30 gray, coated |
| Housing material, surface protection | coated |

Mechanical data

| | |
|--------------------|--------------|
| Application weight | 16.00 g |
| Dimension | Ø 22 x 26 mm |

HF (13.56 MHz)
BIS M-142-11/A-M8-GY
Order Code: BIS011H

BALLUFF

Remarks

Values are under rated conditions unless otherwise specified.
Only when used together with the appropriate read/write head.
For installation requirements see corresponding read/write head.
Time specification includes data check.
Lubricate screw before installing.
We recommend lightly oiling the data carrier screws and storing in a dry location at room temperature.