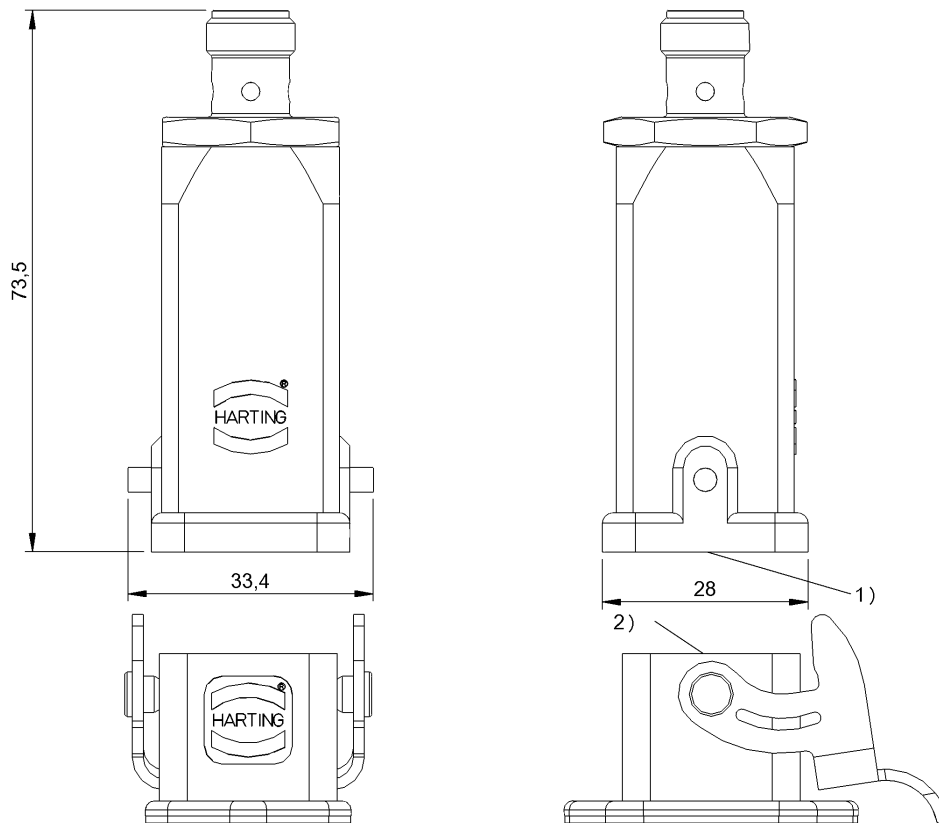


HF (13.56 MHz)
 BIS M-404-045-401-07-S4-SA1
 Order Code: BIS018E

BALLUFF



1) Sensing surface, 2) Data carrier



Basic features

Antenna type	round
Approval/Conformity	CE UKCA FCC Part 15 IC (Radio) WEEE
EN 55022	Gr. 1, Cl. A
Principle of operation	Read/write head

Display/Operation

Function indicator	Power (ON) Green LED TP (Tag Present) LED yellow
--------------------	---

Electrical connection

Connection	M12x1-Male, 4-pin, A-coded
------------	----------------------------

Electrical data

Current consumption max. at 24 V DC	150 mA
Operating voltage U_b	18...30 VDC Supports only LPS/ Class 2
Residual ripple max.	1.3 Vpp
Transfer rate	COM2 (38.4 kBaud)

Environmental conditions

Altitude max.	2000 m
Ambient temperature	-20...80 °C
Area of operation	Indoor
Contamination scale	2
EN 60068-2-27, Shock	yes
EN 60068-2-32 Free fall	yes
EN 60068-2-6, Vibration	yes
IP rating	IP67
Relative humidity	0...90 %, non-condensing
Storage temperature	-20...85 °C

Functional Characteristics

Supported data carrier types	DIN ISO 15693 DIN ISO 15693 (High Memory)
-------------------------------------	---

Functional safety

MTTF (40 °C)	322 a
---------------------	-------

IO-Link

IO-Link Profil IDs	0x0030 BLOB 0x0031 BLOB FW-Update 0x4000 Identification and Diagnosis
---------------------------	--

Interface

Interface	IO-Link 1.1
Process data IN	10 bytes

Material

Housing material	Die casting Nickel-plated brass, Nickel-plated brass nuts
-------------------------	---

Mechanical data

Application weight	220 g
Dimension	28 x 60 x 33.4 mm
Installation	metal-free (clear zone) on metal flush in metal
Size	M18x1

Remarks

Only for data carriers acc. to ISO 15693.

For basic equipment: Accessories see www.balluff.com

Values are under rated conditions unless otherwise specified.

When installing, the technical standards and regulations of the corresponding countries must be observed.

Use included nuts for installation.

This device is intended to be supplied by a UL-listed or CSA-certified power supply unit with "Class 2" or LPS power source.

The devices must be installed permanently.

1. Determine a suitable mounting position.

2. Fasten the device with suitable mounting material.

The device can be cleaned with a slightly damp cloth.

Regularly check the function of the device and all associated components through visual and functional tests.

- Shut down the device in the event of malfunctions.

- Secure the system against unauthorized use.

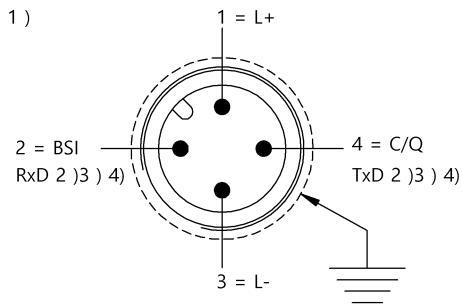
- Check fastening and tighten if necessary.

The product is maintenance-free.

For more information about MTTF and B10d see MTTF / B10d Certificate

Indication of the MTTF- / B10d value does not represent a binding composition and/or life expectancy assurance; these are simply experiential values with no warranty implications. These declared values also do not extend the expiration period for defect claims or affect it in any way.

Connector Drawings



- 1) View towards connector
- 2) BSI service interface
- 3) Do not connect power
- 4) (Only for Balluff Service)