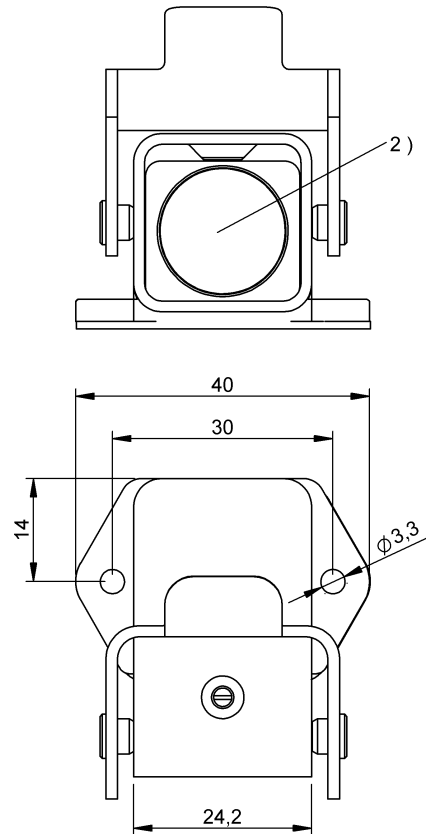
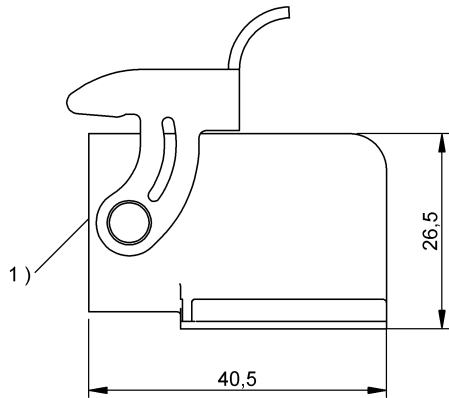


HF (13.56 MHz)
 BIS M-127-20/A-SA1
 Order Code: BIS01A2

BALLUFF



1) Sensing surface, 2) Data carrier



Basic features

Antenna type	round
Approval/Conformity	CE UKCA WEEE
EN 55022	Size 1, Cl. B
Principle of operation	Data carrier

Electrical data

Data retention time/years	≥ 10 at 55 °C
Memory organization	256 × 32 bits
Programming cycles	≥ 10.000.000.000
Programming time	for 16 bytes: 0.060s
Read cycles	Unlimited
Read time	for 16 bytes: 0.03 s User ID for 8 bytes: 0.02 s

Environmental conditions

Ambient temperature	-25...70 °C
Continuous shock load	yes
EN 60068-2-27, Shock	yes
EN 60068-2-32 Free fall	yes
EN 60068-2-6, Vibration	yes
IP rating	IP67
Storage temperature	-25...85 °C

Functional Characteristics

Memory type	FRAM
Supported data carrier types	DIN ISO 15693
UID serial number, read-only	8 Byte
User data, read/write	8192 Byte

Functional safety

MTTF (40 °C)	5937 a
--------------	--------

HF (13.56 MHz)
BIS M-127-20/A-SA1
Order Code: BIS01A2

BALLUFF

Material

Housing material Cast aluminum
PA 12

Mechanical data

Application weight 80 g
Dimension 40 x 26.5 x 40.5 mm
Installation metal-free (clear zone)
on metal
flush in metal

Remarks

Values are under rated conditions unless otherwise specified.
Only when used together with the appropriate read/write head.
For installation requirements see corresponding read/write head.
Time specification includes data check.
For more information about MTTF and B10d see MTTF / B10d Certificate

Indication of the MTTF- / B10d value does not represent a binding composition and/or life expectancy assurance; these are simply experiential values with no warranty implications. These declared values also do not extend the expiration period for defect claims or affect it in any way.