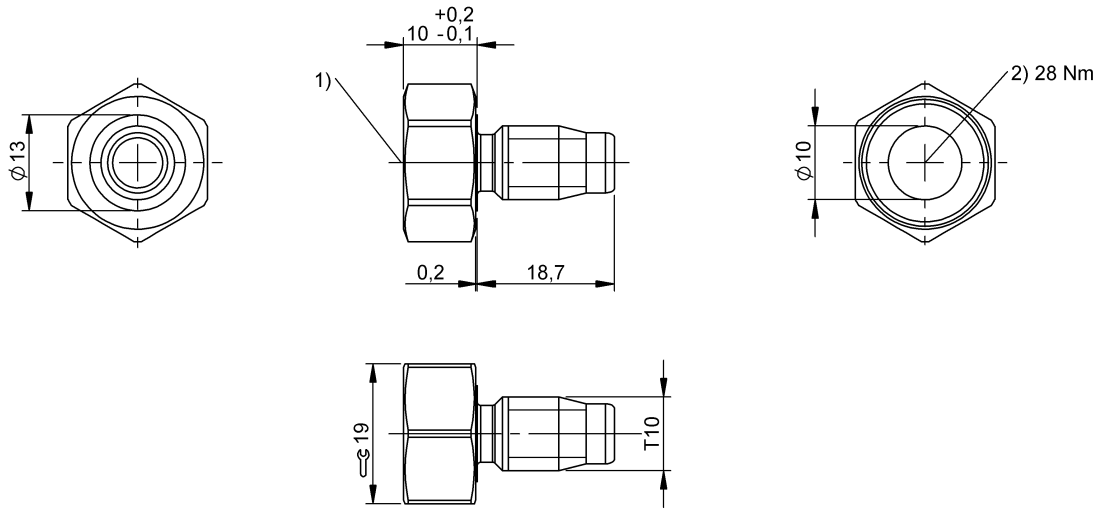


HF (13.56 MHz)  
 BIS M-143-02/A-T10-YE  
 Order Code: BIS01C3

**BALLUFF**



1) Sensing surface, 2) Tightening torque



**Basic features**

Antenna type	round
Approval/Conformity	CE UKCA WEEE
EN 55022	Size 1, Cl. B
Principle of operation	Data carrier

**Electrical data**

Data retention time/years	≥ 10 at 55 °C
Programming cycles	≥ 10.000.000.000
Programming time	for 16 bytes: 0.060s
Read cycles	Unlimited
Read time	User ID for 8 bytes: 0.02 s for 16 bytes: 0.03 s

**Environmental conditions**

Ambient temperature	-25...70 °C
Continuous shock load	yes
EN 60068-2-27, Shock	yes
EN 60068-2-32 Free fall	yes
EN 60068-2-6, Vibration	yes
IP rating per DIN 40050	IP68 IPx9K

**Functional Characteristics**

Memory type	FRAM
Supported data carrier types	DIN ISO 15693
UID serial number, read-only	8 Byte
User data, read/write	2000 Byte

**Functional safety**

MTTF (40 °C)	1535 a
--------------	--------

**Material**

Housing material	Steel, GF30 PA 12
------------------	----------------------

**Mechanical data**

Application weight	18 g
Installation	metal-free (clear zone) on metal flush in metal

HF (13.56 MHz)  
**BIS M-143-02/A-T10-YE**  
**Order Code: BIS01C3**

**BALLUFF**

#### Remarks

---

Time specification includes data check.  
For installation requirements see corresponding read/write head.  
Lubricate screw before installing.  
Values are under rated conditions unless otherwise specified.  
We recommend lightly oiling the data carrier screws and storing in a dry location at room temperature.  
Only when used together with the appropriate read/write head.  
For more information about MTTF and B10d see MTTF / B10d Certificate

Indication of the MTTF- / B10d value does not represent a binding composition and/or life expectancy assurance; these are simply experiential values with no warranty implications. These declared values also do not extend the expiration period for defect claims or affect it in any way.