

## Basic features

<b>Approval/Conformity</b>	CE cURus cULus WEEE
<b>Basic standard</b>	EN 61204
<b>Series</b>	Standard
<b>Short description</b>	Switching power supply
<b>Version</b>	DIN rail

## Electrical connection

<b>Connection</b>	0.25...2.5 mm <sup>2</sup>
-------------------	----------------------------

## Electrical data

<b>Derating</b>	-1.0%/°C -10°C>T>-20°C -1.67 %/°C > +40 °C / 115 VAC -2.5 %/°C > +50 °C / 230 VAC
<b>Display</b>	DC LOW DC ON
<b>Efficiency typ.</b>	89 %
<b>Hold-up time</b>	≥ 16 ms typ. at 115 V AC ≥ 60 ms typ. at 230 V AC
<b>Input fuse</b>	F 5 AH
<b>Input voltage</b>	85...264 V AC
<b>Input/output insulation voltage</b>	3000 V AC
<b>Inrush current</b>	≤ 50 A at 230 V AC
<b>Isolation resistance</b>	≥ 100 MOhm
<b>Output capacity max.</b>	75 W
<b>Output voltage</b>	24 VDC
<b>Output voltage, tolerance</b>	+1 %
<b>Protection class</b>	I
<b>Rated input current</b>	1.4 A at 115 V AC 0.9 A at 230 V AC
<b>Rated output current</b>	3.12 A
<b>Setting range</b>	21.6...26 V DC
<b>Settling time</b>	2 ms
<b>Turn-on time max.</b>	1 s

Switching Power Supplies  
**BAE PS-XA-1W-24-025-016**  
Order Code: **BAE0111**

**BALLUFF**

Working frequency 47...63 Hz

**Environmental conditions**

Ambient temperature	-20...70 °C
Contamination scale	2
Cooling	Free convection
EN 60068-2-27, Shock	Half-sinus: 11 ms (10 G), X-axis
EN 60068-2-6, Vibration	Sinus waves: 10Hz to 500Hz, acceleration 19.6m/s <sup>2</sup> (2g peak) 10 min/cycle, 60 min, X-axis
IP rating	IP20
Over temperature	protected
Relative humidity	20...95 %, non-condensing
Storage temperature	-40...85 °C
Temperature coefficient max.	±0.03 %/K

**Material**

Housing material Plastic

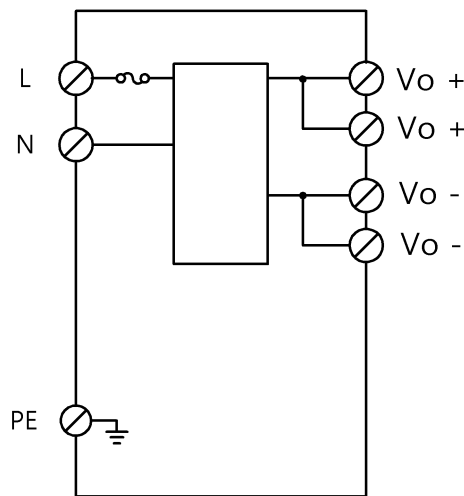
**Mechanical data**

Dimension	27 x 123.6 x 102 mm
Mounting part	DIN rail mount
Weight	0.22 kg

**Remarks**

Values measured at +25 °C and full load.

**Wiring Diagrams**



L