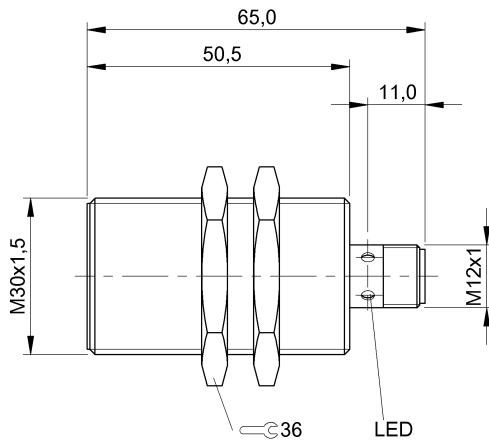


Inductive Sensors
BES M30MI-PSC10B-S04G
 Order Code: **BES00A3**

BALLUFF



Basic features

Approval/Conformity	CE UKCA cULus WEEE
Basic standard	IEC 60947-5-2
Trademark	Global

Display/Operation

Function indicator	yes
Power indicator	no

Electrical connection

Connection	M12x1-Male, 4-pin, A-coded
Polarity reversal protected	yes
Protection against device mix-ups	yes
Short-circuit protection	yes

Electrical data

Load capacitance max. at Ue	1 µF
Min. operating current I _m	0 mA
No-load current I _o max., damped	10 mA
No-load current I _o max., undamped	5 mA
Operating voltage U _b	12...30 VDC
Output resistance R _a	33.0 kOhm + D
Rated insulation voltage U _i	75 V DC
Rated operating current I _e	200 mA
Rated operating voltage U _e DC	24 V
Rated short circuit current	100 A
Ready delay t _v max.	150 ms
Residual current I _r max.	20 µA
Ripple max. (% of U _e)	15 %
Switching frequency	400 Hz
Utilization category	DC -13
Voltage drop static max.	2.5 V

Environmental conditions

Ambient temperature	-25...70 °C
Contamination scale	3
EN 60068-2-27, Shock	Half-sinus, 30 g _n , 11 ms
EN 60068-2-6, Vibration	55 Hz, amplitude 1 mm, 3x30 min
IP rating	IP67

Functional safety

MTTF (40 °C)	880 a
--------------	-------

Interface

Switching output	PNP normally open (NO)
------------------	------------------------

Inductive Sensors
BES M30MI-PSC10B-S04G
Order Code: **BES00A3**



Material

Housing material	Brass, nickel-plated
Material sensing surface	PA 12

Mechanical data

Dimension	Ø 30 x 65 mm
Installation	for flush mounting
Size	M30x1.5
Tightening torque	70 Nm

Range/Distance

Assured operating distance Sa	8.1 mm
Hysteresis H max. (% of Sr)	15.0 %
Rated operating distance Sn	10 mm
Real switching distance sr	10 mm
Repeat accuracy max. (% of Sr)	5.0 %
Temperature drift max. (% of Sr)	10 %
Tolerance Sr	±10 %

Remarks

The sensor is functional again after the overload has been eliminated.
For more information about MTTF and B10d see MTTF / B10d Certificate

Indication of the MTTF- / B10d value does not represent a binding composition and/or life expectancy assurance; these are simply experiential values with no warranty implications. These declared values also do not extend the expiration period for defect claims or affect it in any way.

Connector Drawings



Wiring Diagrams

