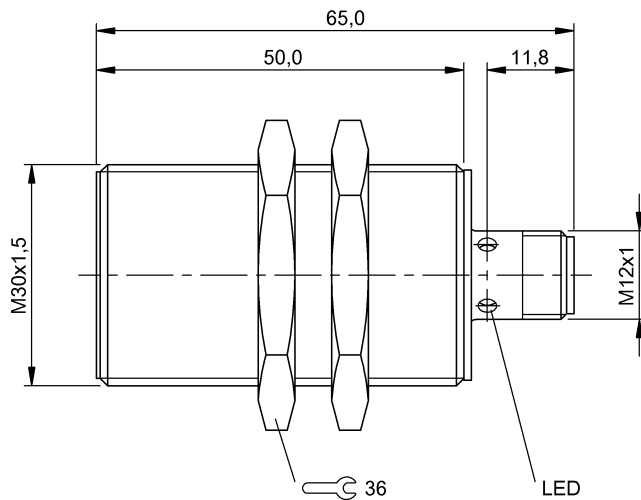


Inductive Sensors
BES M30MI-PSC15A-S04G-W12
 Order Code: **BES0454**

BALLUFF



Basic features

Additional features	Factor 1 Weld immune
Approval/Conformity	CE cULus WEEE
Basic standard	IEC 60947-5-2
Trademark	Factor 1

Display/Operation

Function indicator	yes
Power indicator	no

Electrical connection

Connection	M12x1-Male, 3-pin, A-coded
Polarity reversal protected	yes
Protection against device mix-ups	yes
Short-circuit protection	yes

Electrical data

Load capacitance max. at Ue	1 µF
Magnetic field strength, interference field	100 kA/m
Min. operating current I_m	0 mA
No-load current I_o max., damped	14 mA
No-load current I_o max., undamped	14 mA
Operating voltage U_b	10...30 VDC
Protection class	II
Rated insulation voltage U_i	60 V DC
Rated operating current I_e	200 mA
Rated operating voltage U_e DC	24 V
Rated short circuit current	100 A
Ready delay t_v max.	15 ms
Residual current I_r max.	500 µA
Ripple max. (% of U_e)	10 %
Switching frequency	750 Hz
Utilization category	DC -13
Voltage drop static max.	2 V

Environmental conditions

Ambient temperature	-25...70 °C
Contamination scale	3
EN 60068-2-27, Shock	Half-sinus, 30 g _n , 11 ms
EN 60068-2-6, Vibration	55 Hz, amplitude 1 mm, 3x30 min
IP rating	IP67
Magnetic field immune	magnetic field immune (AC/DC)
Storage temperature	-40...85 °C

Functional safety

MTTF (40 °C)	1140 a
---------------------	--------

Inductive Sensors
BES M30MI-PSC15A-S04G-W12
Order Code: BES0454

BALLUFF

Interface

Switching output PNP normally open (NO)

Material

Housing material Brass, PTFE coated
Material sensing surface PPS

Mechanical data

Dimension Ø 30 x 65 mm
Installation for flush mounting
Size M30x1.5
Tightening torque 10 Nm

Range/Distance

Assured operating distance Sa 12.1 mm
Hysteresis H max. (% of Sr) 15.0 %
Rated operating distance Sn 15 mm
Real switching distance sr 15 mm
Repeat accuracy max. (% of Sr) 5.0 %
Switching distance marking ■■
Temperature drift max. (% of Sr) 15 %
Tolerance Sr ±10 %

Remarks

The sensor is functional again after the overload has been eliminated.
Optimized for clamping holder.
For more information about MTTF and B10d see MTTF / B10d Certificate

Indication of the MTTF- / B10d value does not represent a binding composition and/or life expectancy assurance; these are simply experiential values with no warranty implications. These declared values also do not extend the expiration period for defect claims or affect it in any way.

Connector Drawings



Wiring Diagrams

