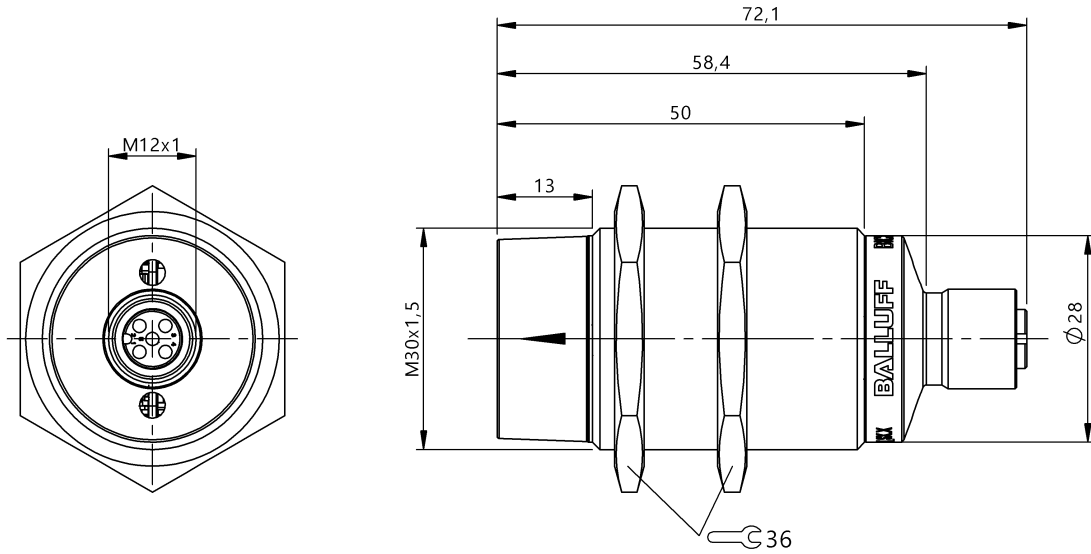


Inductive Couplers
BIC 2B0-ITA50-M30MF1-SM4A5A
 Order Code: BIC007E

BALLUFF



Basic features

| | |
|---------------------|-----------------------------|
| Approval/Conformity | CE UKCA WEEE |
| Component | Remote |
| Function | IO-Link signal transmission |

Display/Operation

| | |
|--------------------|-----|
| Function indicator | yes |
| Power indicator | yes |

Electrical connection

| | |
|--------------------------|---------------------|
| Connection | M12x1-Female, 5-pin |
| Short-circuit protection | yes |

Electrical data

| | |
|----------------------|----------------|
| Output current max. | 5 A / 0.12 ms |
| Output voltage | 24 VDC |
| Rated output current | 650 mA |
| Ripple Ua max. | 1.2 V |
| Signal type | bi-directional |
| Type of master port | A |

Environmental conditions

| | |
|-----------------------|--------------|
| Ambient temperature | -5...55 °C |
| IP rating | IP67 |
| Interference immunity | EN 61000-6-2 |
| Storage temperature | -25...70 °C |

Functional safety

| | |
|--------------|-------|
| MTTF (40 °C) | 293 a |
|--------------|-------|

IO-Link

| | |
|--------------------|-----|
| IO-Link Profil IDs | N/A |
|--------------------|-----|

Interface

| | |
|-------------------------|-------------------|
| Additive cycle time | Device + 2.0 ms |
| Frame type | Device dependent |
| IO-Link version | 1.1 |
| Interface | IO-Link 1.1 |
| Process data IN | 0...32 bytes |
| Process data OUT | 0...32 bytes |
| Process data cycle min. | 2 ms |
| SIO mode | yes |
| Transfer rate | COM2 (38.4 kBaud) |

Material

| | |
|--------------------------------------|---------------|
| Housing material | Brass, coated |
| Housing material, surface protection | coated |
| Material sensing surface | PA 12 |

Mechanical data

| | |
|---------------------------|----------------|
| Dimension | Ø 30 x 72.1 mm |
| Offset | ±6 mm |
| Size | M30x1.5 |
| Tightening torque max. | 70 Nm |
| Tightening torque pigtail | 0.6 Nm |

Range/Distance

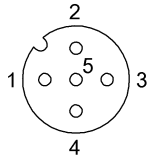
Range

0...10 mm

Transmission distance

0...10 mm

Connector Drawings



IO-Link

PIN 1: +24V

PIN 2: Output

PIN 3: GND

PIN 4: C/Q, IO-Link DC-Channel

PIN 5: not used