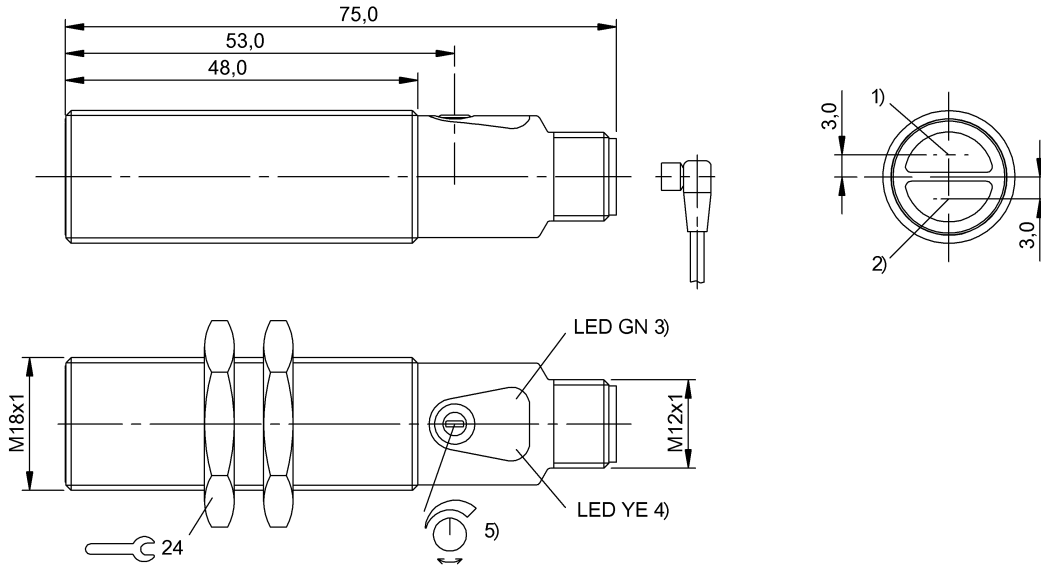


Photoelectric Sensors  
**BOS 18M-PO-PR20-S4S**  
**Order Code: BOS01EM**

**BALLUFF**



1) Optical axis receiver, 2) Optical axis emitter, 3) Operating voltage, 4) Light reception/limit area, 5) Sn



**Basic features**

<b>Approval/Conformity</b>	cULus CE UKCA WEEE
<b>Basic standard</b>	IEC 60947-5-2
<b>Principle of operation</b>	Photoelectric sensor
<b>Reference reflector</b>	BOS R-1
<b>Scope of delivery</b>	2x nut M18x1 User manual
<b>Series</b>	18M
<b>Style</b>	Cylinder Straight optics

**Electrical data**

<b>Load capacitance max. at Ue</b>	0.2 µF
<b>No-load current I<sub>o</sub> max. at Ue</b>	30 mA
<b>Operating voltage U<sub>b</sub></b>	10...30 VDC
<b>Protection class</b>	II
<b>Rated insulation voltage U<sub>i</sub></b>	75 V DC
<b>Rated operating current I<sub>e</sub></b>	100 mA
<b>Rated operating voltage U<sub>e</sub> DC</b>	24 V
<b>Ready delay t<sub>v</sub> max.</b>	20 ms
<b>Residual current I<sub>r</sub> max.</b>	30 µA
<b>Ripple max. (% of U<sub>e</sub>)</b>	15 %
<b>Switching frequency</b>	800 Hz
<b>Turn-off delay t<sub>off</sub> max.</b>	0.63 ms
<b>Turn-on delay t<sub>on</sub> max.</b>	0.63 ms
<b>Utilization category</b>	DC -13
<b>Voltage drop U<sub>d</sub> max. at I<sub>e</sub></b>	2.5 V

**Display/Operation**

<b>Adjuster</b>	1-turn potentiometer
<b>Display</b>	LED green: Power Error - LED green, flashing LED yellow: Light received Limit range - LED yellow, flashing
<b>Setting</b>	Sensitivity (Sn)

**Environmental conditions**

<b>Ambient temperature</b>	-5...55 °C
<b>Contamination scale</b>	3
<b>EN 60068-2-27, Shock</b>	Half-sinus, 30 g <sub>n</sub> , 11 ms, 3x6 Half-sinus, 100 g <sub>n</sub> , 2 ms, 3x8000
<b>EN 60068-2-6, Vibration</b>	10...55 Hz, amplitude 1 mm, 3x30 min 10...2000 Hz, amplitude 1 mm, 30 g <sub>n</sub> , 3x5 h
<b>IP rating</b>	IP67

**Electrical connection**

<b>Connection</b>	Connector, M12x1-Male, 4-pin
<b>Contact, surface protection</b>	Gold plated
<b>Polarity reversal protected</b>	yes
<b>Protection against device mix-ups</b>	yes
<b>Short-circuit protection</b>	yes

Photoelectric Sensors  
**BOS 18M-PO-PR20-S4S**  
Order Code: BOS01EM

**BALLUFF**

**Functional safety**

MTTF (40 °C) 1046 a

**Interface**

Switching output PNP normally closed (NC) Pin 4

**Material**

Housing material Brass, nickel-plated  
Housing material, surface protection nickel-plated  
Material sensing surface Glass, anti-glare  
Surface protection nickel-plated

**Mechanical data**

Dimension Ø 18 x 75 mm  
Mounting part Nut M18x1  
Tightening torque max. 15 Nm  
30 Nm

**Optical features**

Ambient light max. 10000 Lux  
Beam characteristic Divergent  
LED group per IEC 62471 Exempt Group  
Light spot size Ø 300 mm at 7 m  
Light type LED, red light  
Polarizing filter yes  
Principle of optical operation Retroreflective sensor  
Switching function, optical Light-on  
Wave length 626 nm

**Range/Distance**

Range 0...7 m  
Rated operating distance Sn 7 m Adjustable

**Remarks**

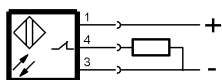
The sensor is functional again after the overload has been eliminated.  
Polarizing filters prevent spurious switching due to reflecting and shiny parts.  
For additional information, refer to user's guide.  
Order accessories separately.  
For more information about MTTF and B10d see MTTF / B10d Certificate

Indication of the MTTF- / B10d value does not represent a binding composition and/or life expectancy assurance; these are simply experiential values with no warranty implications. These declared values also do not extend the expiration period for defect claims or affect it in any way.

**Connector Drawings**



**Wiring Diagrams**



**Opto Symbols**

