

1) Optical axis emitter, 2) Optical axis receiver, 3) Display and control panel, 4) 240° rotatable



**Basic features**

<b>Approval/Conformity</b>	CE UKCA cULus WEEE Ecolab
<b>Basic standard</b>	IEC 60947-5-2
<b>Operating mode</b>	SIO Mode IO-Link Mode
<b>Principle of operation</b>	Photoelectric sensor
<b>Series</b>	21M
<b>Style</b>	Square Connection can be rotated

**Display/Operation**

<b>Adjuster</b>	Potentiometer 240°
<b>Display</b>	Run - LED green Communication - Green LED, flashing (10:1) LED yellow: Light received Limit range - LED yellow, flashing Error - LED green, flashing
<b>Setting</b>	Rated switching distance (Sn)

**Electrical connection**

<b>Connection</b>	Connector, M12x1-Male, 4-pin
<b>Contact, surface protection</b>	Gold plated
<b>Polarity reversal protected</b>	yes
<b>Protection against device mix-ups</b>	yes
<b>Short-circuit protection</b>	yes

Photoelectric Sensors  
**BOS 21M-PAI-RD30-S4**  
Order Code: BOS027N

**BALLUFF**

### Electrical data

Load capacitance max. at Ue	0.2 µF
No-load current I <sub>o</sub> max. at Ue	35 mA
Operating voltage U <sub>b</sub>	10...30 VDC
Protection class	II
Rated insulation voltage U <sub>i</sub>	75 V DC
Rated operating current I <sub>e</sub>	100 mA
Rated operating voltage U <sub>e</sub> DC	24 V
Ready delay t <sub>v</sub> max.	200 ms
Residual current I <sub>r</sub> max.	10 µA
Ripple max. (% of U <sub>e</sub> )	8 %
Switching frequency	1000 Hz
Turn-off delay t <sub>off</sub> max.	0.5 ms
Turn-on delay t <sub>on</sub> max.	0.5 ms
Utilization category	DC -13
Voltage drop U <sub>d</sub> max. at I <sub>e</sub>	2 V

### Environmental conditions

Ambient temperature	-25...60 °C
Ambient temperature UL max.	55 °C
Contamination scale	3
EN 60068-2-27, Shock	Half-sinus, 30 g <sub>n</sub> , 11 ms, 3x6
EN 60068-2-6, Vibration	10...55 Hz, amplitude 1 mm, 3x30 min
IP rating	IP67, IP69K

### Functional safety

MTTF (40 °C)	889 a
--------------	-------

### IO-Link

IO-Link Profil IDs	N/A
--------------------	-----

### Interface

Baud rate	38.4 kBaud
Interface	IO-Link 1.1
Interface setting option	Display limit range Display temperature Display setting switching range
Process data IN	0 bytes
Process data OUT	1 byte
Process data cycle min.	4 ms
Switching output	PNP normally closed (NC) PNP normally open (NO) Pins 4-2

### Material

Housing material	Zinc, Die casting, Powder coated Die-cast zinc
Material sensing surface	PMMA
Surface protection	Powder coated

### Mechanical data

Dimension	15.4 x 51.1 x 42.7 mm
Mounting part	Screw M4

### Optical features

Ambient light max.	5000 Lux
Beam characteristic	Divergent
LED group per IEC 62471	Exempt Group
Light type	LED, red light
Principle of optical operation	Diffuse sensor, energetic
Switching function, optical	Light-on dark-on
Wave length	650 nm

### Range/Distance

Hysteresis H max. (% of Sr)	10.0 %
Range	10...1000 mm
Rated operating distance S <sub>n</sub>	1 m Adjustable
Repeat accuracy max. (% of Sr)	2.0 %

### Remarks

Order accessories separately.

For additional information, refer to user's guide.

Reference object (target): gray card, 200 x 200, 90 % remission, axial approach.

The sensor is functional again after the overload has been eliminated.

Only for applications per NFPA 79 (machines with a supply voltage of maximum 600 V). Use an R/C (CYJV2) cable with suitable properties for attaching the device.

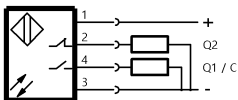
For more information about MTTF and B10d see MTTF / B10d Certificate

Indication of the MTTF- / B10d value does not represent a binding composition and/or life expectancy assurance; these are simply experiential values with no warranty implications. These declared values also do not extend the expiration period for defect claims or affect it in any way.

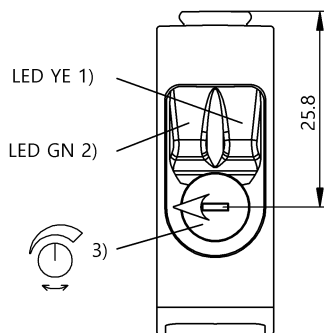
## Connector Drawings



## Wiring Diagrams



## Help Views



- 1) Light reception/Limit range
- 2) Oper. voltage/Error/IO-Link
- 3) Sn

## Opto Symbols

