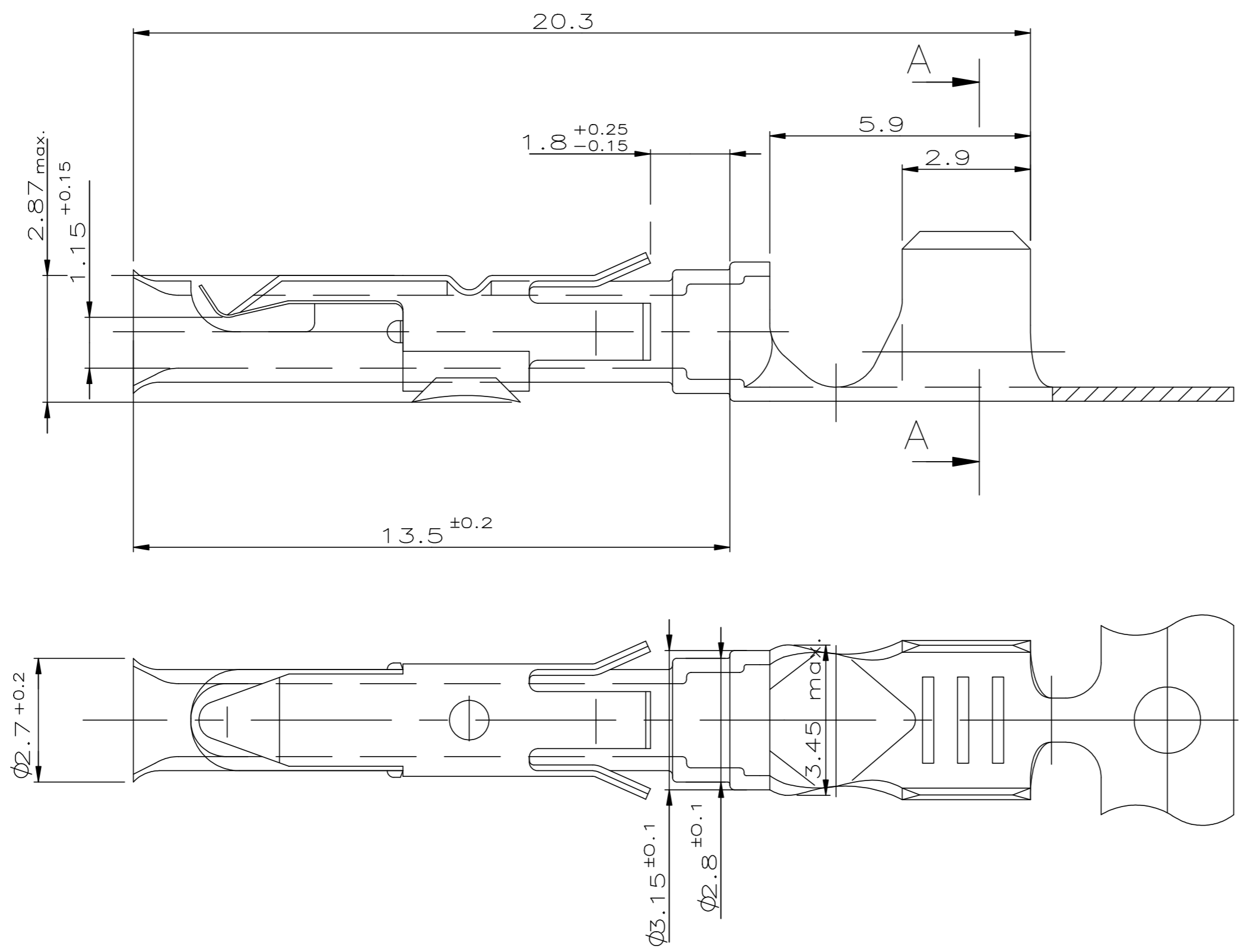
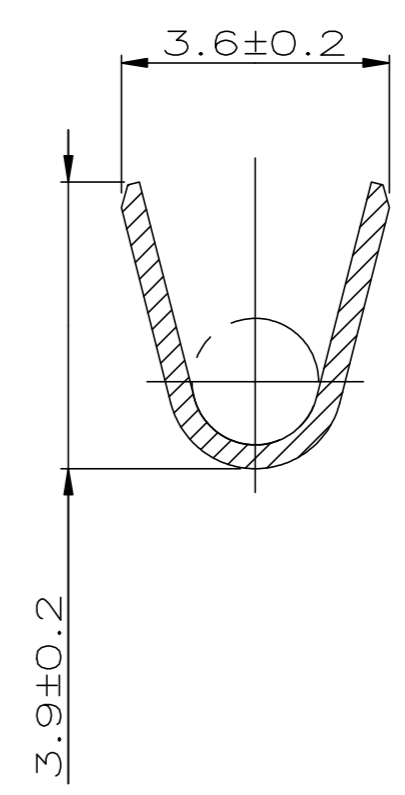


REVISIONS					
P	LTR	DESCRIPTION	DATE	DWN	APVD
	A	NEW DRAWING	26.09.23	KMD	SK



Schnitt SECTION A-A



965 920-1					THIS DRAWING IS A CONTROLLED DOCUMENT.					DWN 26.09.2023 DEEPAK K M		TE Connectivity	
1					DIMENSIONS: mm					CHK 26.09.2023 SATISH KELAGERI		NAME	
-					TOLERANCES UNLESS OTHERWISE SPECIFIED:					APVD		C12 BUCHSENKONTAKT	
C12 Buchse					0 PLC ± - 1 PLC ± - 2 PLC ± 0.15 mm 3 PLC ± - 4 PLC ± - ANGLES ± -					PRODUCT SPEC		SONDERAUSFÜHRUNG	
CuSn4					vorverzint					APPLICATION SPEC		SIZE CAGE CODE DRAWING NO	
MATERIAL CuSn4					FINISH -					WEIGHT 0.000000		A2 00779 C-965920	
BESTELL-NR.					POS. STUCK BENENNUNG EINZELTEIL WERKSTOFF OBERFLÄCHE FARBE					CUSTOMER DRAWING		RESTRICTED TO	
										SCALE 10:1		SHEET 1 of 1 REV A	