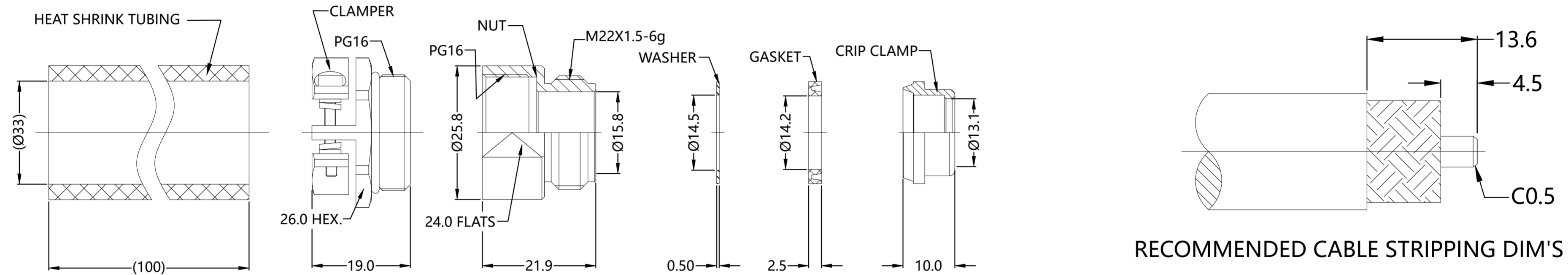
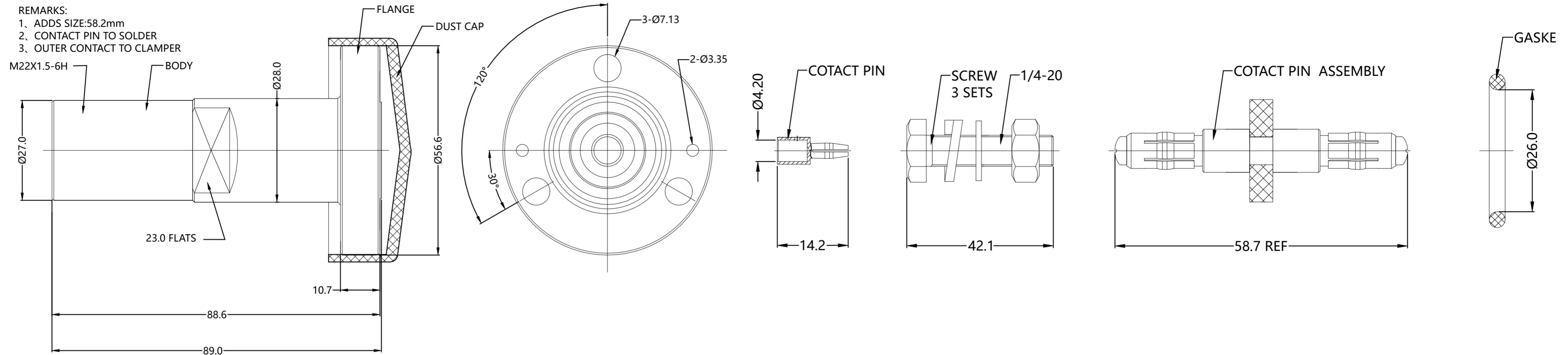


REVISIONS					
P	LTR	DESCRIPTION	DATE	DWN	APVD
A		ECN-23-236785;GTP	26OCT2023	TP	WH



ELECTRICAL	MECHANICAL	ENVIRONMENTAL
Impedance (Ohm): 50 Frequency Range:DC to 1GHz Voltage Rating (Peak) @ Sea Level 1665 V RMS Insulation Resistance (MIN.) 10GM ohms Contact Resistance (mohms MAX) Center Contact 0.5 Outer Contact 0.8 Dielectric Withstand Voltage: 5000 V RMS Max Insertion Loss : <math><0.1x \sqrt{F}</math> (GHz) dB VSWR: <math><1.25</math> AVERAGE POWER: 1.2KW @ 1GHz	Interface Dimension N/A Force to Engage and Disengage Engage: N/A Disengage: N/A Center Contact Captivation Axial (lbs) 15 MIN Radial (In/Oz) N/A Recommend Coupling Torque N/A Flange Retention Force >200 lbs CBL-Connector Retention Force >200 lbs Mating cycles 500 cycles	TEMPERATURE RANGE -40 °C~+125 °C ROHS COMPLIANT

2441708-1	CLAMP	BRASS C3604	NICKEL/COPPER
	NUT	BRASS C3604	NICKEL/COPPER
	WASHER	BRASS C3604	NICKEL/COPPER
	SCREW	STAINLESS STEEL	PASSIVATION
	GASKET	SILICONE	RED
	CONTACT PIN	BERYLLIUM COPPER	SILVER/COPPER
	INSULATOR	TEFLON ASTM-D-1710	N/A
	BODY/FLANGE	BRASS C3604	ALBALOY/COPPER
PART NUMBER	DESCRIPTION	MATERIAL	PLATING

THIS DRAWING IS A CONTROLLED DOCUMENT.		DWN ED 27JUN2023	TE Connectivity
DIMENSIONS: mm		CHK ED 27JUN2023	
TOLERANCES UNLESS OTHERWISE SPECIFIED:		APVD WH 27JUN2023	
0 PLC ± - 1 PLC ± 0.3 2 PLC ± 0.2 3 PLC ± 0.1 4 PLC ± - ANGLES ± 5°		NAME	
MATERIAL	FINISH	WEIGHT	7/8 INCH EIA S/T CLAMP CONNECTOR FOR SPT-1400 CABLE, 50 OHM
CUSTOMER DRAWING		SCALE 1:1	RESTRICTED TO