

## Basic features

<b>Application</b>	Pneumatic cylinder with integrated mounting rail Bosch Type 0 822 350 / 351 / 352 / 353 / 354 / 355
<b>Basic standard</b>	Dimension tolerances: DIN ISO 2768 m
<b>Principle of operation</b>	BMF mounting bracket
<b>Scope of delivery</b>	Fastening part Mounting bracket
<b>Use</b>	for magnetic sensors BMF 32

## Environmental conditions

<b>Ambient temperature</b>	-40...85 °C
----------------------------	-------------

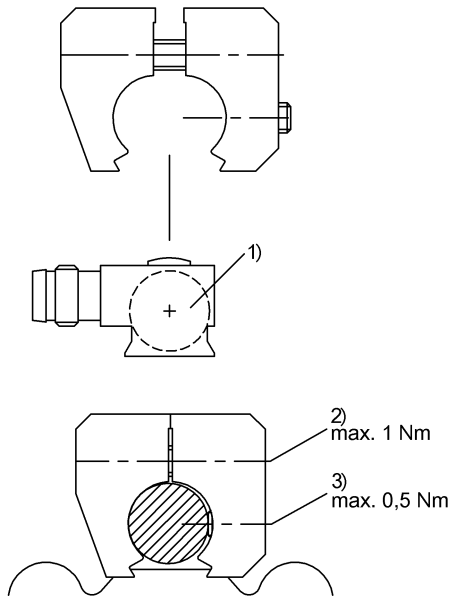
## Material

<b>Material</b>	Aluminum
<b>Surface protection</b>	anodized, black

## Mechanical data

<b>Mounting, holder</b>	Cylinder head screw ISO 4762 M4x20-A2 Offset screwdriver ISO 2936 3.0
<b>Sensor attachment</b>	Threaded pin ISO 4026 M4x6-A2 offset screwdriver ISO 2936 2.0
<b>Size</b>	Dovetail (Bosch)
<b>Tightening torque</b>	0.5 Nm
<b>Tightening torque clamping screw</b>	1 Nm

## Help Views



- 1) Sensor BMF 32
- 2) Mounting screw
- 3) Clamping screw