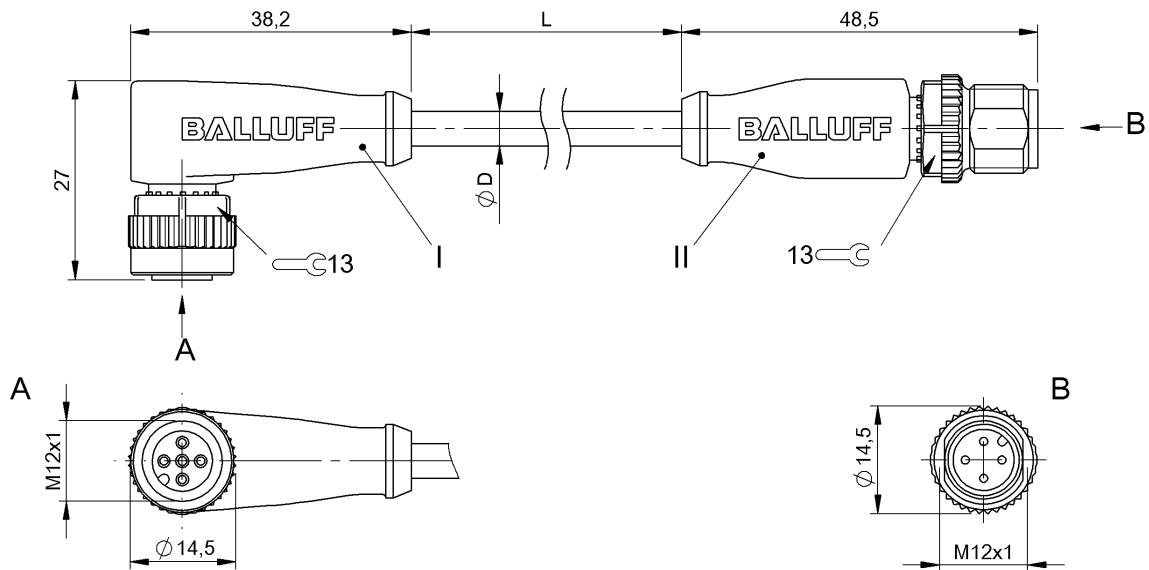


## Double-Ended Cordsets

BCC M425-M414-3A-304-VX44T2-020

Order Code: BCC061C

# BALLUFF



### Basic features

Approval/Conformity	CE
	cULus
	WEEE

### Electrical connection

Bending radius min., fixed cable	5 x D
Bending radius min., flexible cable	10 x D
Cable	PVC Yellow, 2 m
Cable diameter D	5.00 mm ±0.15 mm
Cable, bending cycles min.	2 mil.
Conductor cross-section	22 AWG
Connection 1	M12x1-Female, angled, 5-pin, A-coded
Connection 2	M12x1-Male, straight, 4-pin, A-coded
Number of conductors	4
System	Molded/Molded

### Electrical data

Cable rated voltage AC max.	300 V
Cable rated voltage DC max.	300 V
Operating voltage $U_b$	250 VDC / 250 VAC
Rated current (40 °C)	4.0 A

### Remarks

Bulk cable approval per UL-AWM Style 2661 & CSA AWM I/II A/B

Enclosure rating per IEC 60529 or 20653, only in screwed state with the associated mating piece.

### Environmental conditions

Cable temperature, drag chain	-5...60 °C
Cable temperature, fixed routing	-40...105 °C
Cable temperature, flexible routing	-5...105 °C
IP rating	IP67, IP68, IP69K/IP67, IP68, IP69K

### Interface

Switching output	Complementary
------------------	---------------

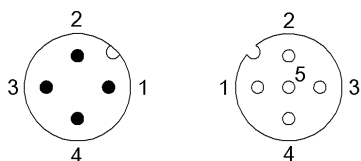
### Material

Cable jacket, material	PVC
Material contact carrier	PUR/PUR
Material contacts	Bronze/Brass
Material cover nut	Die-cast zinc/Die-cast zinc
Material grip	PUR/PUR

### Mechanical data

Cable jacket, color	Yellow
Cable length L	2.00 m
Horizontal travel permitted, drag chain	5 m
Tightening torque pigtail	0.6 Nm/0.6 Nm
Traverse speed max., drag chain	200 m/min
Vertical travel permitted, drag chain	2 m at 5 m/s <sup>2</sup>

## Connector Drawings



- |              |                 |
|--------------|-----------------|
| II           | I               |
| PIN 1: brown | PIN 1: brown    |
| PIN 2: white | PIN 2: white    |
| PIN 3: blue  | PIN 3: blue     |
| PIN 4: black | PIN 4: black    |
|              | PIN 5: not used |

## Wiring Diagrams

