

### Basic features

Approval/Conformity	CE cURus WEEE
---------------------	---------------------

### Electrical connection

Cable diameter (2nd sleeve)	4...5 mm
Cable diameter D	2.1...3 mm
Connection	M12x1-Female, straight, 5-pin, A-coded
Number of connectable contacts	5
System	Can be fabricated

### Electrical data

Operating voltage $U_b$	125 VDC / 125 VAC
Rated current (40 °C)	4.0 A

### Remarks

Enclosure rating per IEC 60529, only in screwed state with the associated mating piece.  
 Includes 2 seal rings for 2 cable connections

### Environmental conditions

Ambient temperature	-40...85 °C
IP rating	IP67

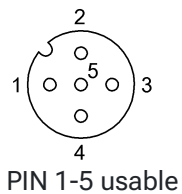
### Material

Material contact carrier	PA
Material contacts	Brass
Material cover nut	Die-cast zinc
Material grip	PA

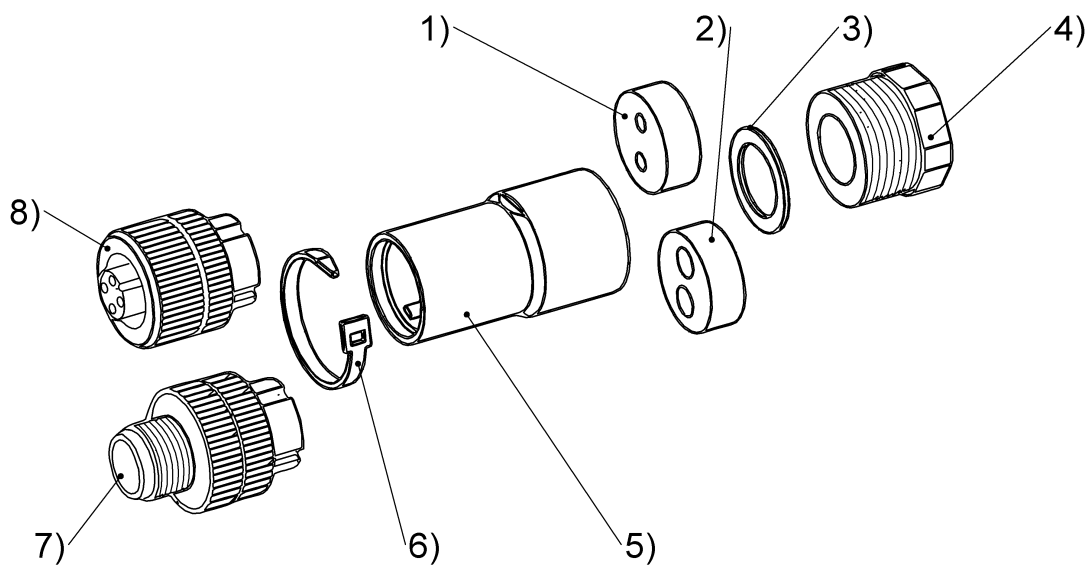
### Mechanical data

Connection cross-section	0.14...0.75 mm <sup>2</sup>
Tightening torque pigtail	0.6 Nm
Type of wire mounting	Screw terminals

## Connector Drawings



## Help Views



- 1) Seal for cable  $\varnothing$  2,1-3,0 mm
- 2) Seal for cable  $\varnothing$  4,0-5,0 mm
- 3) Thrust collar
- 4) Pressing screw
- 5) Sleeve
- 6) Cable tie
- 7) Male insert
- 8) Female insert