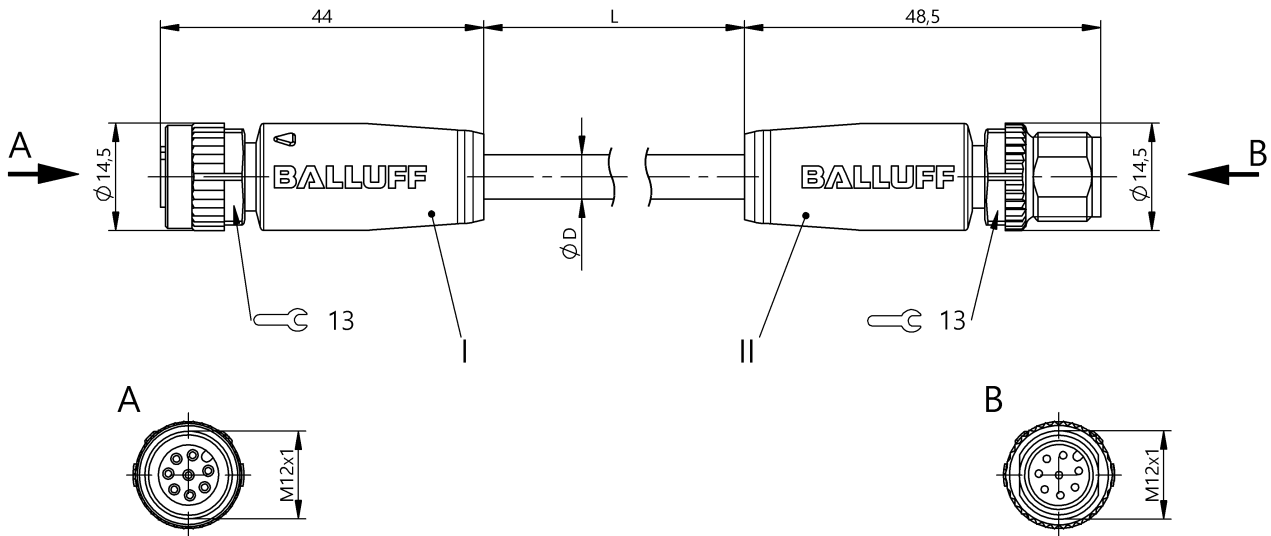


Double-Ended Cordsets  
**BCC M418-M418-3A-342-PX0825-050**  
 Order Code: BCC0AC5

**BALLUFF**



**Basic features**

|                            |                     |
|----------------------------|---------------------|
| <b>Approval/Conformity</b> | CE<br>cULus<br>WEEE |
|----------------------------|---------------------|

**Electrical connection**

|  |  |
|--|--|
| <b>Bending radius min., fixed cable</b>    | 5 x D                                  |
| <b>Bending radius min., flexible cable</b> | 10 x D                                 |
| <b>Cable</b>                               | PUR black, 5 m, drag chain compatible  |
| <b>Cable diameter D</b>                    | 6.00 mm ±0.20 mm                       |
| <b>Cable, bending cycles min.</b>          | 2 mil.                                 |
| <b>Conductor cross-section</b>             | 0.25 mm <sup>2</sup>                   |
| <b>Connection 1</b>                        | M12x1-Female, straight, 8-pin, A-coded |
| <b>Connection 2</b>                        | M12x1-Male, straight, 8-pin, A-coded   |
| <b>Number of conductors</b>                | 8                                      |
| <b>System</b>                              | Molded/Molded                          |

**Electrical data**

|  |                 |
|--|-----------------|
| <b>Operating voltage U<sub>b</sub></b> | 30 VDC / 30 VAC |
| <b>Rated current (40 °C)</b>           | 2.0 A           |

**Remarks**

Cable construction acc. to UL-AWM Style 20549  
 Halogen-free per DIN VDE 0472 Part 815  
 Silicone-free  
 Flame-retarding acc. to IEC 60332-2  
 Enclosure rating per IEC 60529 or 20653, only in screwed state with the associated mating piece.

**Environmental conditions**

|  |                                     |
|--|-------------------------------------|
| <b>Cable temperature, drag chain</b>       | -25...60 °C                         |
| <b>Cable temperature, fixed routing</b>    | -50...80 °C                         |
| <b>Cable temperature, flexible routing</b> | -25...80 °C                         |
| <b>IP rating</b>                           | IP67, IP68, IP69K/IP67, IP68, IP69K |

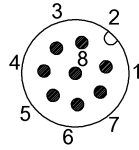
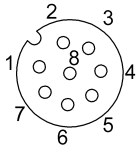
**Material**

|                                 |                             |
|---------------------------------|-----------------------------|
| <b>Cable jacket, material</b>   | PUR                         |
| <b>Material contact carrier</b> | PUR/PUR                     |
| <b>Material contacts</b>        | Bronze/Brass                |
| <b>Material cover nut</b>       | Die-cast zinc/Die-cast zinc |
| <b>Material grip</b>            | PUR/PUR                     |

**Mechanical data**

|  |                       |
|--|-----------------------|
| <b>Acceleration max., drag chain</b>           | 5 m/s <sup>2</sup>    |
| <b>Cable jacket, color</b>                     | black                 |
| <b>Cable length L</b>                          | 5.00 m                |
| <b>Cable properties</b>                        | drag chain compatible |
| <b>Horizontal travel permitted, drag chain</b> | 5 m                   |
| <b>Tightening torque pigtail</b>               | 0.6 Nm/0.6 Nm         |
| <b>Traverse speed max., drag chain</b>         | 200 m/min             |
| <b>Vertical travel permitted, drag chain</b>   | 2 m                   |

## Connector Drawings



- |               |               |
|---------------|---------------|
| PIN 1: white  | PIN 1: white  |
| PIN 2: green  | PIN 2: green  |
| PIN 3: yellow | PIN 3: yellow |
| PIN 4: gray   | PIN 4: gray   |
| PIN 5: brown  | PIN 5: brown  |
| PIN 6: pink   | PIN 6: pink   |
| PIN 7: blue   | PIN 7: blue   |
| PIN 8: red    | PIN 8: red    |

## Wiring Diagrams

