

Basic features

Approval/Conformity WEEE

Display/Operation

Function indicator (Pin 4) LED yellow/LED yellow
 Power indicator Green LED

Electrical connection

Connection 1 M12x1-Male, 4-pin, A-coded
 Connection 2 M12x1-Female, 3-pin, A-coded
 Connection 3 M12x1-Female, 3-pin, A-coded
 Number of pins 4/3/3

Electrical data

Operating voltage U_b 30 VDC
 Rated current (40 °C) 4.0 A

Remarks

Enclosure rating per IEC 60529, only in screwed state with the associated mating piece.

Environmental conditions

Ambient temperature -25...85 °C
 IP rating IP68

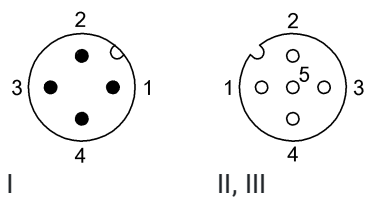
Material

Material contact carrier PUR
 Material contacts Brass/Bronze/Bronze
 Material cover nut Die-cast zinc/Die-cast zinc/Die-cast zinc
 Material grip PUR

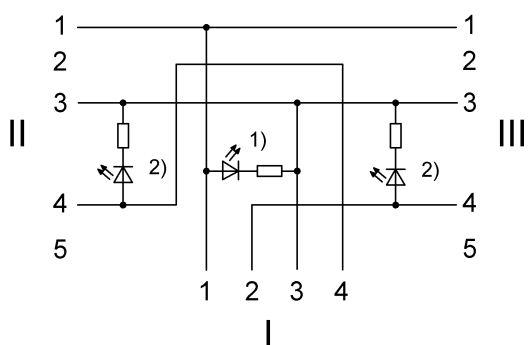
Mechanical data

Tightening torque pigtail 0.6 Nm/0.6 Nm/0.6 Nm

Connector Drawings



Wiring Diagrams



- 1) Green LED = Power
- 2) Yellow LED = Function