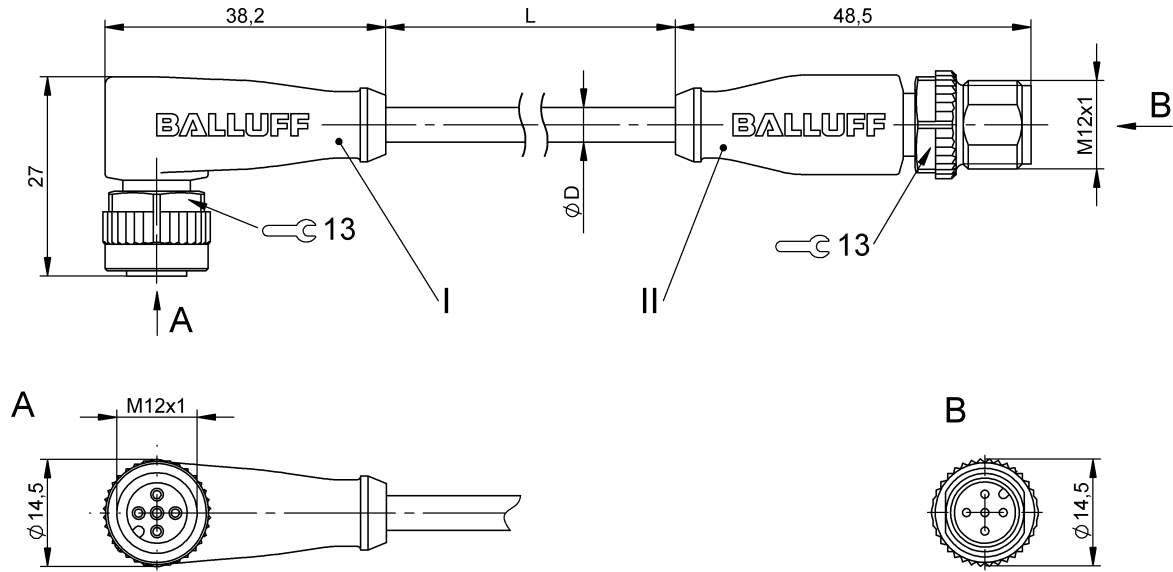


Double-Ended Cordsets
BCC M425-M415-3A-313-EX45T2-050
 Order Code: BCC0FL1

BALLUFF



Basic features

Approval/Conformity	CE
	cULus
	WEEE

Electrical connection

Bending radius min., fixed cable	5 x D
Bending radius min., flexible cable	10 x D
Cable	TPE Yellow, 5 m, drag chain compatible
Cable diameter D	5.60 mm ±0.13 mm
Cable, bending cycles min.	10 mil.
Conductor cross-section	22 AWG
Connection 1	M12x1-Female, angled, 5-pin, A-coded
Connection 2	M12x1-Male, straight, 5-pin, A-coded
Number of conductors	5
System	Molded/Molded

Electrical data

Cable rated voltage AC max.	300 V
Cable rated voltage DC max.	300 V
Operating voltage Ub	60 VDC / 60 VAC
Rated current (40 °C)	4.0 A

Remarks

Cable construction acc. to UL-AWM Style 20327
 Flame resistance per IEC 60332-1-2
 Enclosure rating per IEC 60529 or 20653, only in screwed state with the associated mating piece.

Environmental conditions

Cable temperature, fixed routing	-50...105 °C
Cable temperature, flexible routing	-25...105 °C
IP rating	IP67, IP68, IP69K/IP67, IP68, IP69K

Interface

Switching output	Complementary
------------------	---------------

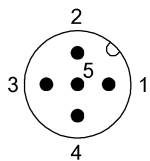
Material

Cable jacket, material	TPE
Material contact carrier	PUR/PUR
Material contacts	Bronze/Brass
Material cover nut	Die-cast zinc/Die-cast zinc
Material grip	PUR/PUR

Mechanical data

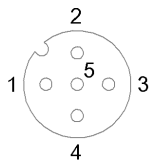
Cable jacket, color	Yellow
Cable length L	5.00 m
Cable properties	drag chain compatible
Tightening torque pigtail	0.6 Nm/0.6 Nm

Connector Drawings



II

- PIN 1: brown
- PIN 2: white
- PIN 3: blue
- PIN 4: black
- PIN 5: green/yellow



I

- PIN 1: brown
- PIN 2: white
- PIN 3: blue
- PIN 4: black
- PIN 5: green/yellow

Wiring Diagrams

