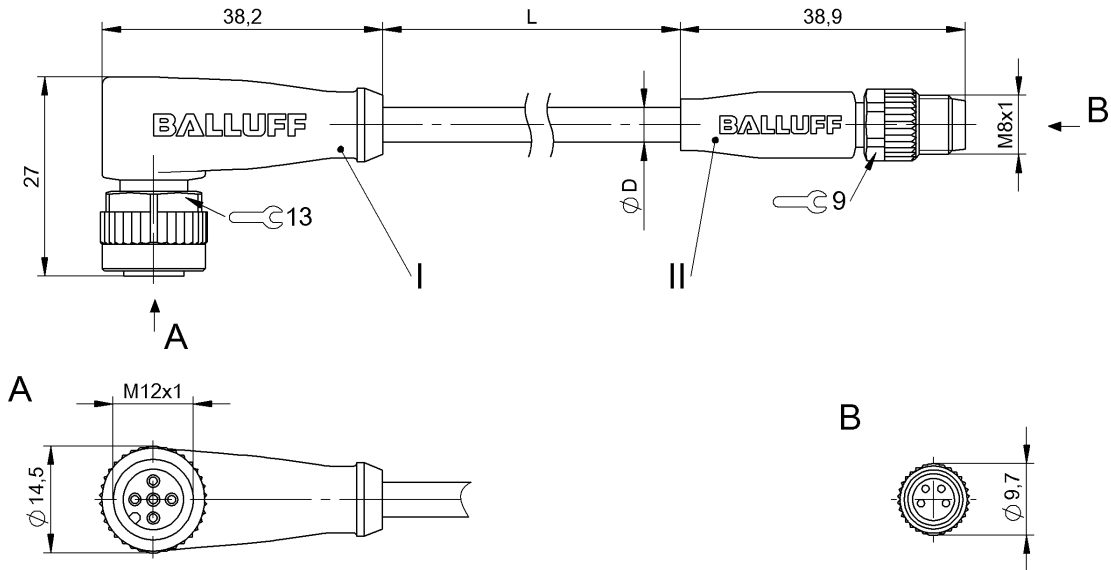


Double-Ended Cordsets  
**BCC M425-M314-3F-304-EX44T2-050**  
**Order Code: BCC0J9T**

# BALLUFF



## Basic features

Approval/Conformity	CE
	cULus
	WEEE

## Electrical connection

Bending radius min., fixed cable	5 x D
Bending radius min., flexible cable	10 x D
Cable	TPE Yellow, 5 m, drag chain compatible
Cable diameter D	5.30 mm ±0.13 mm
Cable, bending cycles min.	10 mil.
Conductor cross-section	22 AWG
Connection 1	M12x1-Female, angled, 5-pin, A-coded
Connection 2	M8x1-Male, straight, 4-pin, A-coded
Number of conductors	4
System	Molded/Molded

## Electrical data

Cable rated voltage AC max.	300 V
Cable rated voltage DC max.	300 V
Operating voltage Ub	60 VDC / 60 VAC
Rated current (40 °C)	4.0 A

## Remarks

Cable construction acc. to UL-AWM Style 20327  
 Flame resistance acc. to IEC 332-2  
 Enclosure rating per IEC 60529 or 20653, only in screwed state with the associated mating piece.

## Environmental conditions

Cable temperature, fixed routing	-50...105 °C
Cable temperature, flexible routing	-25...105 °C
IP rating	IP67, IP68, IP69K/IP67, IP69K

## Interface

Switching output	Complementary
------------------	---------------

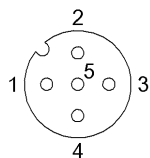
## Material

Cable jacket, material	TPE
Material contact carrier	PUR/PUR
Material contacts	Bronze/Brass
Material cover nut	Die-cast zinc/Die-cast zinc or nickel plated brass
Material grip	PUR/PUR

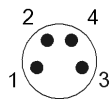
## Mechanical data

Cable jacket, color	Yellow
Cable length L	5.00 m
Cable properties	drag chain compatible
Tightening torque pigtail	0.6 Nm/0.4 Nm

## Connector Drawings



I  
PIN 1: brown  
PIN 2: white  
PIN 3: blue  
PIN 4: black  
PIN 5: not used



II  
PIN 1: brown  
PIN 2: white  
PIN 3: blue  
PIN 4: black

## Wiring Diagrams

