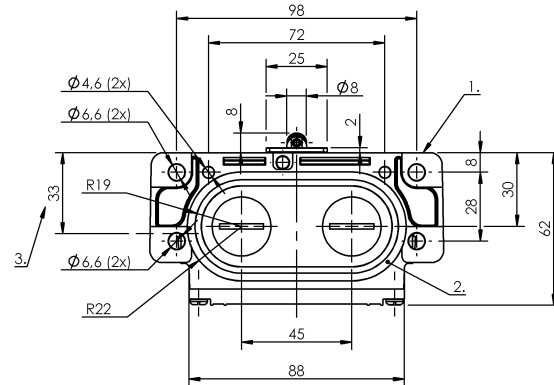
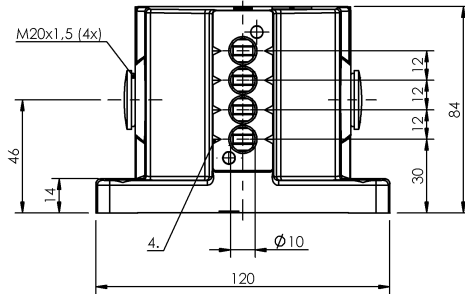


Mechanical Cam Switches
BNS 813-D04-L12-62-12-04
Order Code: BNS01E6

BALLUFF



1) Reference edge, 2) Sealing ring, 3) Cable passage, 4) Mark. Safety switch position



Basic features

| | |
|----------------------------|----------------------------------|
| Approval/Conformity | CE UKCA CCC WEEE |
| Basic standard | IEC 60947-5-1 |
| Operating principle | 1-4. Switch position: Mechanical |
| Version | Safety EN 60204-1 |

Display/Operation

| | |
|---------------------------|----------------------------|
| Function indicator | 1-4. Switch position: None |
|---------------------------|----------------------------|

Electrical connection

| | |
|------------------------|--------------------------------------|
| Connection type | 1-4. Switch position: Screw terminal |
|------------------------|--------------------------------------|

Electrical data

| | |
|--------------------------------------|--|
| Continuous current | 1-4. Switch position: 6 A |
| Rated operating voltage Ue | 1-4. Switch position: 250 V AC |
| Switching function mechanical | Double-interrupting NC forced-opening per VDE |
| Switching rate | 1-4. Switch position: 300/min |

Environmental conditions

| | |
|----------------------------|------------|
| Ambient temperature | -5...85 °C |
| IP rating | IP67 |

Functional safety

| | |
|------------------------------|----------------------------------|
| B10d (EN ISO 13849-1) | BSE 61: 30 mil. switching cycles |
|------------------------------|----------------------------------|

Material

| | |
|---|--|
| Housing material | Aluminium, Anodized |
| Housing material, surface protection | Anodized |
| Material contacts | 1-4. Switch position: Silver |
| Plunger material | 1-4. Switch position: 1.4034 stainless steel |

Mechanical data

| | |
|--|--|
| Approach direction | longitudinal, parallel to attachment surface |
| Approach speed | 1-4. Switch position: 120 m/min |
| Dimension | 120 x 84 x 62 mm |
| Distance cam - reference edge | 1-4. Switch position: 4.50...5.00 mm |
| Flange, feed-through | 2 threaded exit M20 |
| Installation | Vertical |
| Life expectancy mechanical | 1-4. Switch position: 30 mil. switching operations |
| Number of switching positions | 4x Roller bearing Mechanical |
| Plunger spacing 1st switch position | 30 mm |
| Plunger style | 1-4th switch position: Roller bearing |
| Switch actuation force | 1-4. Switch position: 15 N |
| Switching element | 1-4. Switch position: BSE 61 |

Range/Distance

Reproducibility

1-4. Switch position: ± 0.01 mm

Switch position spacing

12 mm

Wiring Diagrams

BSE 61

