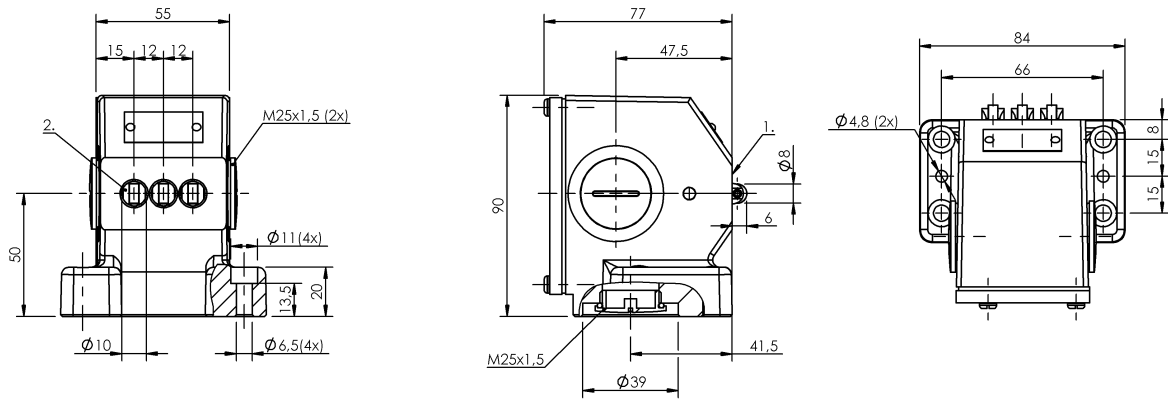


Mechanical Cam Switches
BNS 819-B03-R12-72-10
Order Code: BNS024T

BALLUFF



1) Reference edge, 2) 1st pos.



Basic features

Approval/Conformity	CE UKCA CCC WEEE
Basic standard	IEC 60947-5-1
Operating principle	1-3. Switch position: Mechanical
Version	Snap contact

Display/Operation

Function indicator	1-3. Switch position: None
---------------------------	----------------------------

Electrical connection

Connection type	1-3. Switch position: Screw terminal
------------------------	--------------------------------------

Electrical data

Continuous current	1-3. Switch position: 6 A
Rated operating voltage Ue	1-3. Switch position: 250 V AC
Switching function mechanical	Double-interrupting galvanically isolated One NO and one NC Dual changeover
Switching rate	1-3. Switch position: 300/min

Environmental conditions

Ambient temperature	-5...85 °C
IP rating	IP67

Functional safety

B10d (EN ISO 13849-1)	BSE 30.0: 30 mil. switching cycles
------------------------------	------------------------------------

Material

Housing material	Aluminium, Anodized
Housing material, surface protection	Anodized
Material contacts	1-3. Switch position: Silver, gold plated
Plunger material	1-3. Switch position: 1.4034 stainless steel

Mechanical data

Approach direction	Vertical to mounting surface
Approach speed	1-3. Switch position: 60 m/min
Dimension	84 x 90 x 77 mm
Distance cam - reference edge	1-3. Switch position: 2.50...3.00 mm
Flange, feed-through	1 threaded exit M25
Installation	Vertical
Life expectancy mechanical	1-3. Switch position: 30 mil. switching operations
Number of switching positions	3x Roller Mechanical
Plunger spacing 1st switch position	50 mm
Plunger style	1-3rd switch position: Roller
Switch actuation force	1-3. Switch position: 20 N
Switching element	1-3. Switch position: BSE 30.0

Range/Distance

Reproducibility
Switch position spacing

1-3. Switch position: ± 0.01 mm
12 mm

Wiring Diagrams

BSE 30.0

