

Junction blocks

BPI 8M304P-5K-B0-KPXK0-150

Order Code: BPI00EL

BALLUFF

Remarks

Cable construction acc. to UL-AWM Style 20549/10493

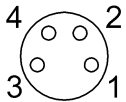
Flame resistance per IEC 60332-1-2

Flame resistance per UL 758/1581 FT2

Oil resistant per DIN EN 60811-404 (VDE 0473-811-404)

Enclosure rating per IEC 60529, only in screwed state with the associated mating piece.

Connector Drawings



I/O ports

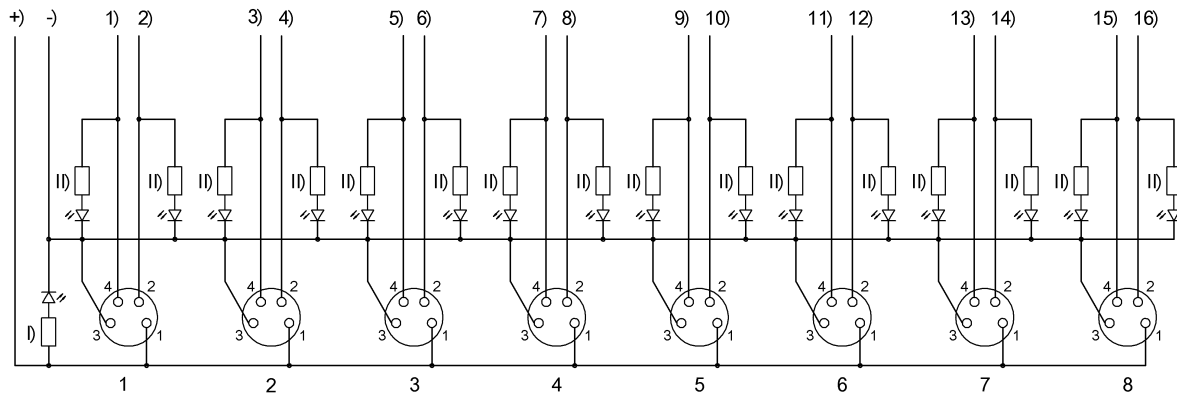
PIN 1: +24V

PIN 2: Normally closed

PIN 3: 0V

PIN 4: Normally open

Wiring Diagrams



-) blue 0.75 mm²
- +) brown 0.75 mm²
- 1) white
- 2) gray/pink
- 3) green
- 4) red/blue
- 5) yellow
- 6) white/green
- 7) gray
- 8) brown/green
- 9) pink
- I) LED green
- 10) white/yellow
- 11) red
- 12) yellow/brown
- 13) black
- 14) white/gray
- 15) violet
- 16) gray/brown
- II) LED yellow