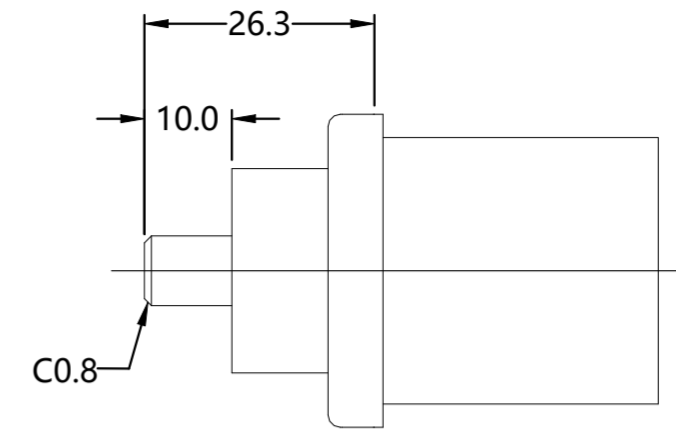
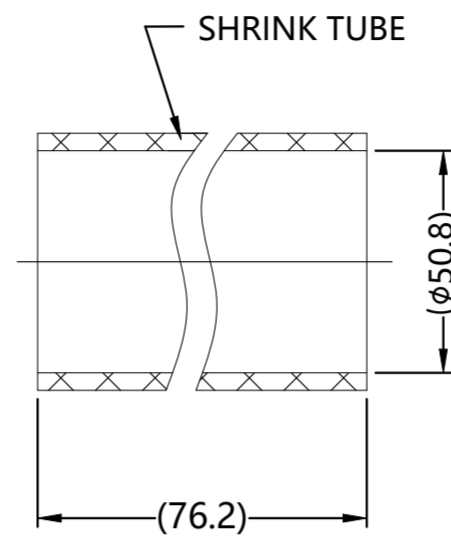
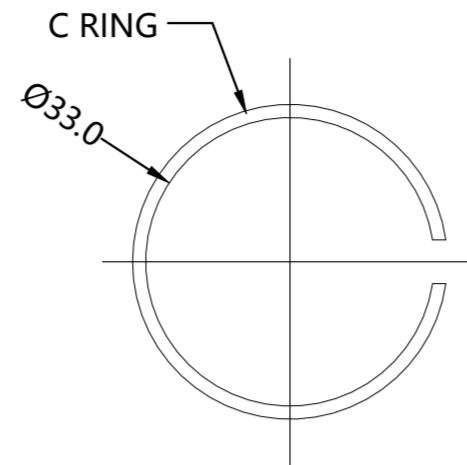
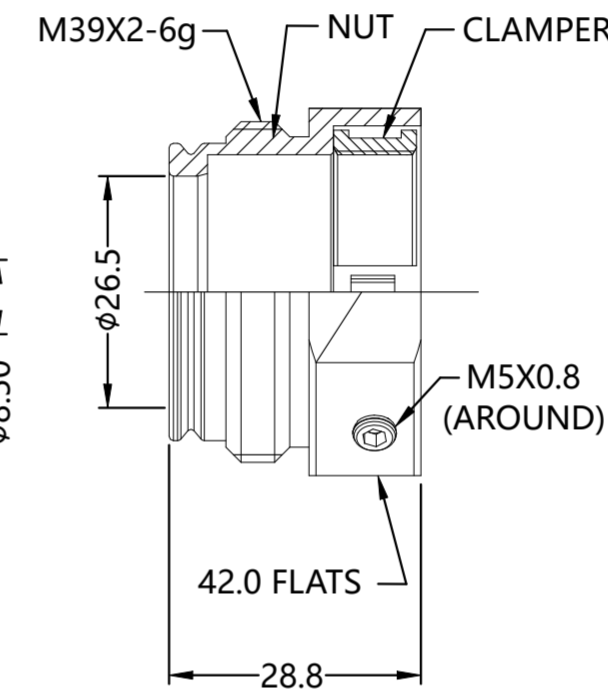
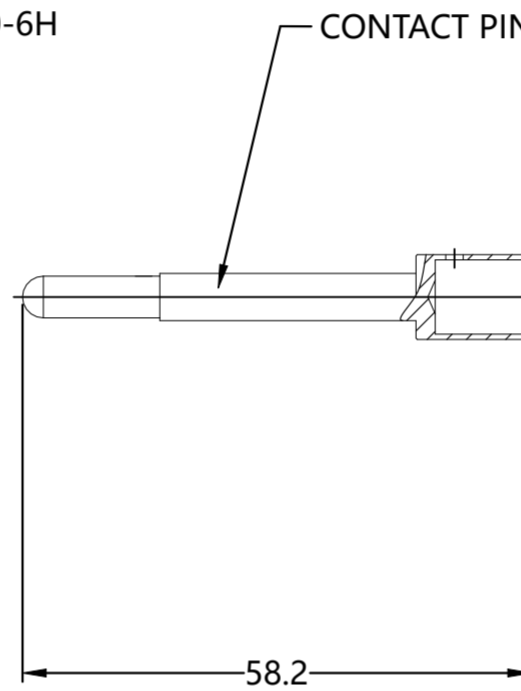
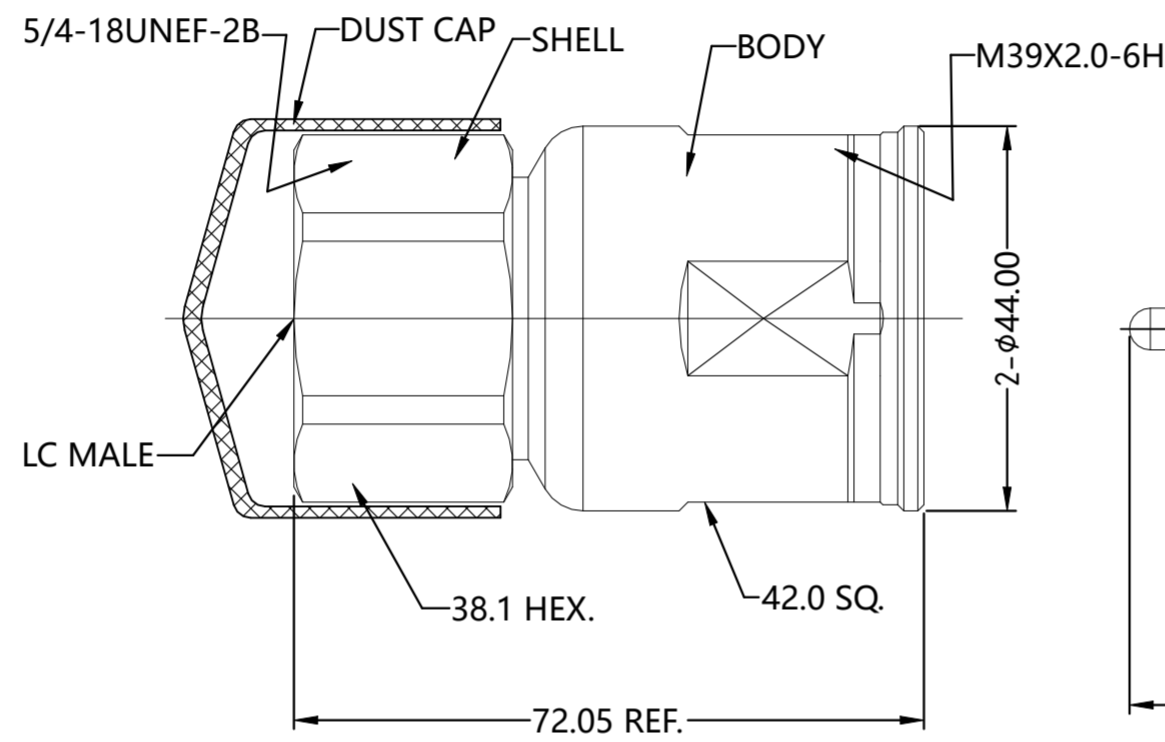


P	LTR	DESCRIPTION	DATE	DWN	APVD
A		ECN-23-236785;GTP	26OCT2023	TP	WH

REMARKS:
 1.ADDS SIZE:35.5mm
 2.CONTACT PIN TO SOLDER



RECOMMENDED CABLE STRIPPING DIM'S



ELECTRICAL	MECHANICAL	ENVIRONMENTAL
Impedance (Ohm): <u>50</u> Frequency Range: <u>DC to 1GHz</u> Voltage Rating (Peak) <u>2330 V(rms)</u> Insulation Resistance (MIN.) <u>10000 MΩ</u> Contact Resistance (mohms MAX) Center Contact <u>1.0</u> Outer Contact <u>0.2</u> Dielectric Withstand Voltage: <u>>5000 V</u> Insertion Loss : <0.1/F(GHz) VSWR:<1.2	Interface Dimension <u>LC</u> Force to Engage and Disengage Engage: <u>N/A</u> Disengage: <u>N/A</u> Center Contact Captivation Axial (lbs) <u>N/A</u> Radial (In/Oz) <u>N/A</u> Recommend Coupling Torque <u>32 N.m</u> Coupling Nut Retention Force <u>>225 lbs</u> CABLE RETENTION FORCE <u>> 280 lbs</u> CABLE-CONNECTOR ANTI-TORQUE: <u>>60 in.lbs</u> Mating cycles <u>500 cycles</u>	TEMPERATURE RANGE <u>-40 °C~+125 °C</u> ROHS <u>COMPLIANT</u>

PART NUMBER	DESCRIPTION	MATERIAL	PLATING
	CLAMPER	BRASS C3604	ALBALOY/COPPER
	GASKET	SILICONE	RED
	CONTACT PIN	BRASS/Be-Cu	SILVER/COPPER
	INSULATOR	TEFLON ASTM-D-1710	N/A
	BODY/SHELL	BRASS C3604	ALBALOY/COPPER

THIS DRAWING IS A CONTROLLED DOCUMENT.

DWN	ED	26JUN2023
CHK	ED	26JUN2023
APVD	WH	26JUN2023

TE Connectivity

LC MALE S/T CLAMP FOR HPL-1200 CABLE,50 OHM

SIZE	A2	CAGE CODE	00779	DRAWING NO	C=2441524	RESTRICTED TO	-
SCALE	1:1	SHEET	1 of 1	REV	A		

CUSTOMER DRAWING