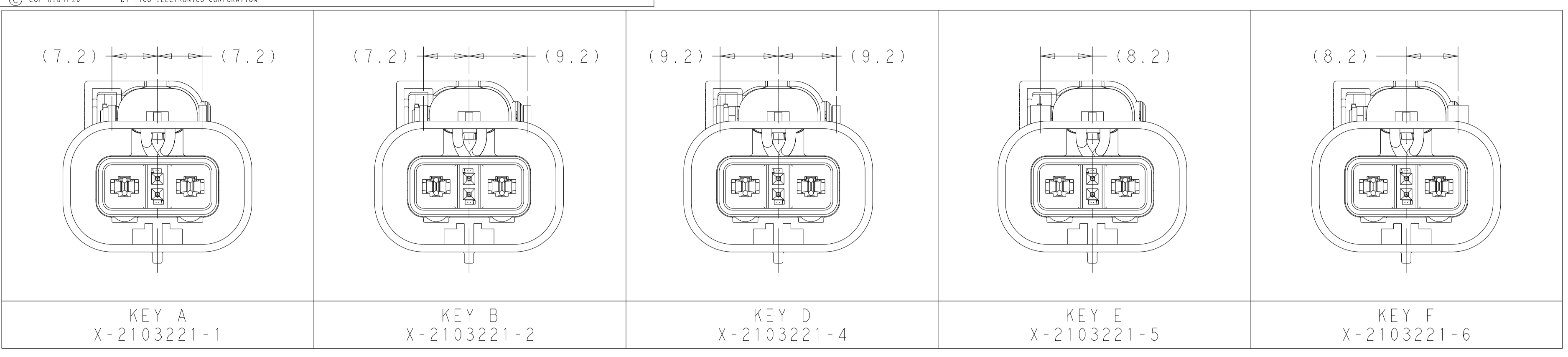
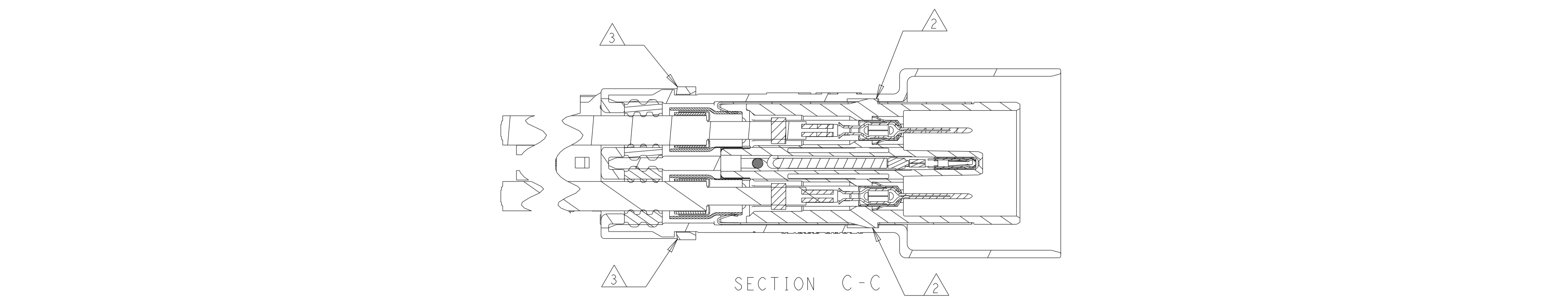
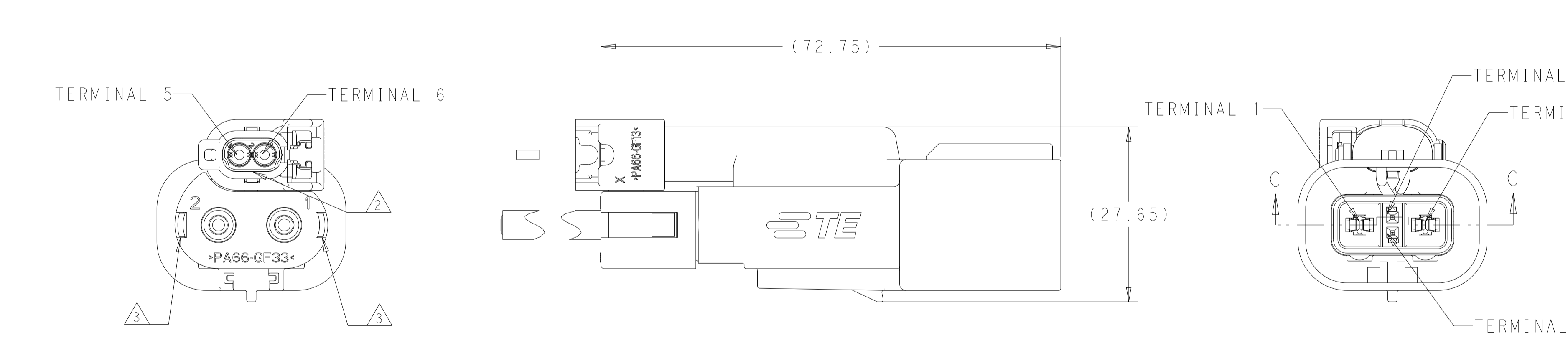
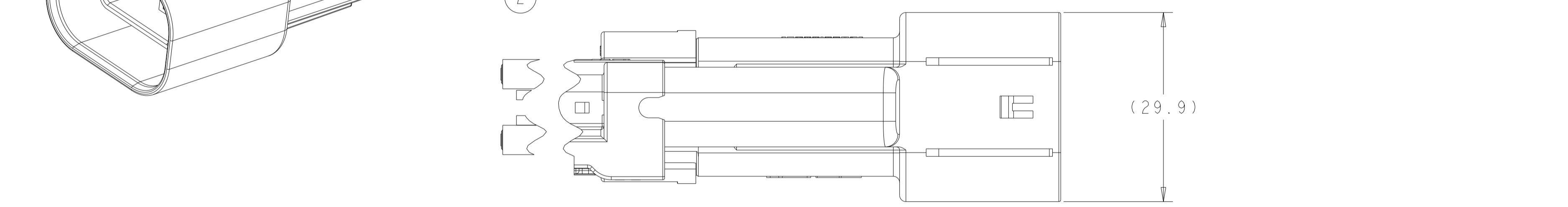
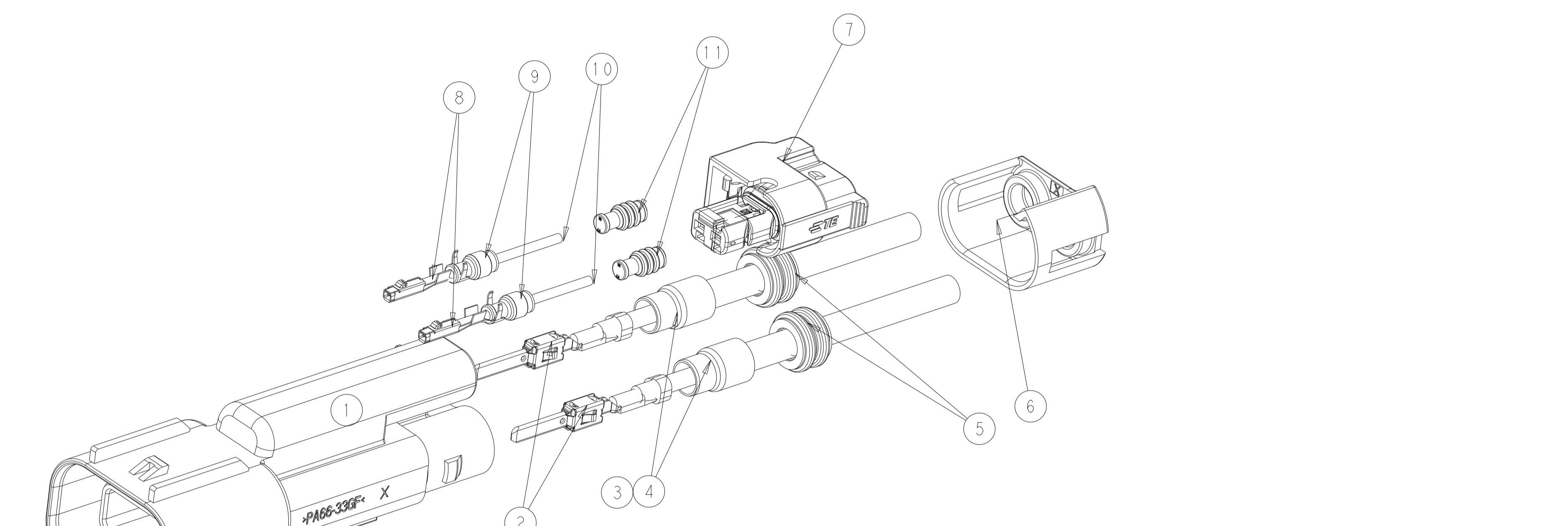


REVISIONS				
P	LTN	DESCRIPTION	DATE	APPV
A	ECO-14-008137		02JUN2014	AD AD
A2	ECN-23-206949		06APR2023	SS PK
A3	ECN-24-248480		19JAN2024	SS PK
A4	ECN-24-249159		24JAN2024	SS PK



KEY A X-2103221-1    KEY B X-2103221-2    KEY D X-2103221-4    KEY E X-2103221-5    KEY F X-2103221-6



- 1. ALL TERMINALS MUST BE FULLY SEATED AND LOCKED IN POSITION
- 2. INNER HOUSING SUB-ASSEMBLY MUST BE FULLY LOCKED AT THIS LOCATION.
- 3. CABLE SEAL RETAINER MUST BE FULLY LOCKED 2 PLACES
- 4. PART NUMBERS LISTED ON THIS DRAWING ARE FOR REFERENCE ONLY AND DOCUMENT THE COMPLETE, AS-ASSEMBLED, MALE HARNESS ASSEMBLY (MINUS CABLING). PPAP INFORMATION IS NOT AVAILABLE FOR THESE REFERENCE PART NUMBERS. ITEM LISTED IN THE PART NUMBER TABLE (ITEM 1-6) ARE INDIVIDUAL SALEABLE ITEMS AVAILABLE FROM TE CONNECTIVITY. ITEM-SPECIFIC PPAP INFORMATION MUST BE REQUESTED THROUGH THE ITEM-SPECIFIC PART NUMBERS. PPAP REQUESTS FOR THESE REFERENCE PART NUMBERS WILL BE FULLFILLED WITH A PPAP SUBMISSION FOR ITEM NO 1 ONLY (SEE P/N TABLE)
- 5. VALIDATED CABLE/SUBCOMPONENT COMBINATION
- 6. THIS CABLE HAS NOT BEEN VALIDATED FOR USE WITH THIS CONNECTOR VALIDATION IS CURRENTLY IN PROGRESS CUSTOMER ASSUMES ALL THE RISKS ASSOCIATED WITH USING THIS UN-VALIDATED CABLE/SUB-COMPONENT COMBINATION

2	2	2	2	2	2	2	2	2	2	2	5-967056-1	MOS CAVITY PLUG	11	
OR														
2		2	2	2	2	2	2	2	2	2	-	HV WIRE 0.5/ 0.75 SQ.MM) ISO 6722-1	10	
2	2	2	2	2	2	2	2	2	2	2	967067-1	SINGLE WIRE SEAL, MOS	9	
2	2	2	2	2	2	2	2	2	2	2	1670146-3	MCON 1.2 CB RECEPTACLE (0.5 - 0.75 DIA RANGE)	8	
2	2	2	2	2	2	2	2	2	2	2	2098641-1	MCON, 2 POS SEALED, FEMALE, CONN. ASSY	7	
1	1	1	1	1	-	-	-	-	-	-	1587940-2	SEAL RETAINER, CABLE, SIZE B	6	
-	-	-	-	-	1	1	1	1	1	1	1587940-3	SEAL RETAINER, CABLE, SIZE C		
-	-	-	-	-	2	2	2	2	2	2	1587530-2	SEAL, CABLE, SIZE C-D	5	
2	2	2	2	2	-	-	-	-	-	-	1587530-1	SEAL, CABLE, SIZE C-D		
2	2	2	2	2	-	-	-	-	-	-	1587829-2	FERRULE, OUTER, SIZE B	4	
-	-	-	-	-	2	2	2	2	2	2	1587829-3	FERRULE, OUTER, SIZE C		
2	2	2	2	2	-	-	-	-	-	-	1587828-2	FERRULE, INNER, SIZE B	3	
-	-	-	-	-	2	2	2	2	2	2	1587828-3	FERRULE, INNER, SIZE C		
2	2	2	2	2	2	2	2	2	2	2	2-2141600-2	BLADE TERMINAL, MCP 2.8, 2.5-4.0mm SO.	2	
1	-	-	-	-	1	-	-	-	-	-	2103191-6	OUTER HOUSING, CAP SUBASSY, KEY F	1	
-	1	-	-	-	-	1	-	-	-	-	2103191-5	OUTER HOUSING SUBASSY, CAP, KEY E	1	
-	-	1	-	-	-	-	1	-	-	-	2103191-4	OUTER HOUSING SUBASSY, CAP, KEY D	1	
-	-	-	1	-	-	-	-	1	-	-	2103191-2	OUTER HOUSING SUBASSY, CAP, KEY B	1	
-	-	-	-	1	-	-	-	-	1	-	2103191-1	OUTER HOUSING SUBASSY, CAP, KEY A	1	
-	-	-	-	-	-	-	-	-	-	-		PART NUMBER	DESCRIPTION	ITEM

F	E	D	B	A	F	E	D	B	A	ASSEMBLY INDEX		
1-2103221-6	1-2103221-5	1-2103221-4	1-2103221-2	1-2103221-1	2103221-6	2103221-5	2103221-4	2103221-2	2103221-1	4	REFERENCE ASSEMBLY NUMBERS	
6					5					5	CABLE SUPPLIER/SPECIFICATION	
					6					6	CABLE SIZE	

THIS DRAWING IS A CONTROLLED DOCUMENT.

DIMENSIONS:	TOLERANCES UNLESS OTHERWISE SPECIFIED:	OWN: D SIMPSON 03OCT2011	CHK: A DE CHAZAL 03OCT2011
mm	0 PLC ±0.5 1 PLC ±0.5 2 PLC ±0.13 3 PLC ±0.013 4 PLC ±0.001 ANGLES ±0.001	APVD: NAME	PRODUCT SPEC
MATERIAL:	FINISH:	APPLICATION SPEC	108-32085
		WEIGHT	114-32033
		CUSTOMER DRAWING	A100779C=2103221

TE Connectivity  
 CAP ASSEMBLY  
 PASS-THROUGH HVIL, HVA280-2PHI  
 REFERENCE DRAWING

SCALE 2:1 SHEET 1 OF 1 REV A4