

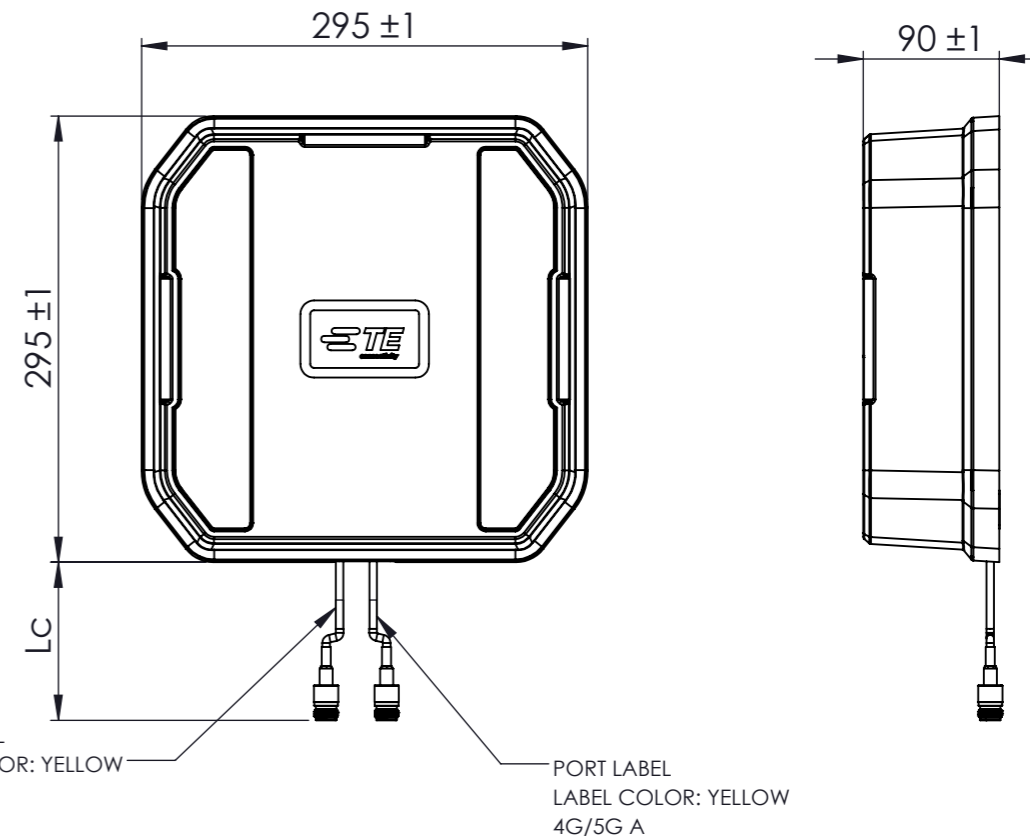
REVISIONS


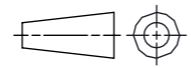
| REV | DESCRIPTION | DATE | DWN | APVD |
|-----|-------------|------|-----|------|
|-----|-------------|------|-----|------|

| ANTENNA SPECIFICATIONS | | | | | | |
|---------------------------------------------------|-----------------------------------------------------|---------|-----------|-----------|-----------|-----------|
| Antenna Model | L000379-01 | | | | | |
| Number of Ports | 2 (2x- 3G/LTE/4G/5G Cellular) | | | | | |
| Port Configuration | 2x- 3G/LTE/4G/ISM/CBRS (Cellular) | | | | | |
| Frequency Bands (MHz) | 617-698 | 698-960 | 1427-1522 | 1690-2700 | 3300-4200 | 4400-6000 |
| Peak Gain Ave. (dBi)* | 7.3 | 8.6 | 7.1 | 7.8 | 9.4 | 8.3 |
| Peak Gain Max. (dBi)* | 8.4 | 9.1 | 7.4 | 9.1 | 10.6 | 10 |
| Total Efficiency Ave.* | 66 | 74 | 80 | 74 | 68 | 62 |
| VSWR Max.* | < 3.0:1 | < 2.4:1 | < 1.9:1 | < 2.5:1 | < 2.4:1 | < 2.4:1 |
| VSWR Ave.* | < 2.2:1 | < 1.5:1 | < 1.3:1 | < 1.6:1 | < 1.5:1 | < 1.4:1 |
| VSWR Max.** | < 2.5:1 | < 1.8:1 | < 1.4:1 | < 1.7:1 | < 1.6:1 | < 1.5:1 |
| VSWR Ave.** | < 1.7:1 | < 1.3:1 | < 1.1:1 | < 1.3:1 | < 1.2:1 | < 1.1:1 |
| Isolation Max. (dB)* | 23 | 20 | 20 | 20 | 20 | 14 |
| Isolation Ave. (dB)* | 35 | 36 | 42 | 37 | 37 | 26 |
| Isolation Max. (dB)** | 30 | 20 | 30 | 25 | 22 | 24 |
| Isolation Ave. (dB)** | 50 | 48 | 45 | 42 | 45 | 36 |
| 3dB beamwidth Ave. @ Azimuth* | 70° | 63° | 74° | 70° | 47° | 62° |
| 3 dB beamwidth @ Azimuth* | 68°-71° | 52°-68° | 69°-78° | 43°-86° | 39°-59° | 34°-104° |
| 3dB beamwidth Ave. @ Elevation* | 66° | 60° | 75° | 70° | 47° | 64° |
| 3 dB beamwidth @ Elevation* | 64°-67° | 52°-66° | 71°-78° | 40°-90° | 38°-60° | 36°-109° |
| Gain Variation/Ripple (dB)* | 1.7 | 1.2 | 0.6 | 3.1 | 3.5 | 4.6 |
| Sidelobes (dB)* @ Azimuth and Elevation | 23 | 15 | 18 | 15 | 7 | 3 |
| Front to Back Ratio (dB)* @ Azimuth and Elevation | 31 | 28 | 31 | 25 | 22 | 15 |
| Max Power – Ambient 25°C (W) | 5 | | | | | |
| Nominal Impedance | 50 Ω | | | | | |
| Polarization | Linear Slant (±45°) | | | | | |
| Connector Type | N-Female | | | | | |
| Weight, g (lbs) | 1.56 kg | | | | | |
| Cables Length, m | 0.3m | | | | | |
| Dimensions – Height x Width x Depth – m | 295 x 295 x 90 (11.61 x 11.61 x 3.54) | | | | | |
| Cable | LMR195-equivalent | | | | | |
| Radome Material | PC, UL94-V0 | | | | | |
| Radome Color | White | | | | | |
| Mounting Type | Fixed Bracket | | | | | |
| Operating Temperature, °C (°F) | -40 to +85 (-40 to 185) | | | | | |
| Storage Temperature, °C (°F) | -40 to +85 (-40 to 185) | | | | | |
| Ingression Protection | IP67 | | | | | |
| Wind Velocity (MPH)- Operational | 100 mph | | | | | |
| Wind Velocity (MPH)- Survival | 155 mph | | | | | |
| Mechanical Shock Rating | IEC 60068-2-27, Structural Integrity of Mountings | | | | | |
| Vibration Test Rating | IEC 60068-2-64, Stationary Installation, Category 3 | | | | | |
| Impact Resistance | IK-8 | | | | | |

* Measured with 0.3m length, 0.195in. diameter cable (N-Type Female connector)

** Measured with 5.0m length, 0.195in. diameter cable (SMA-Male connector)

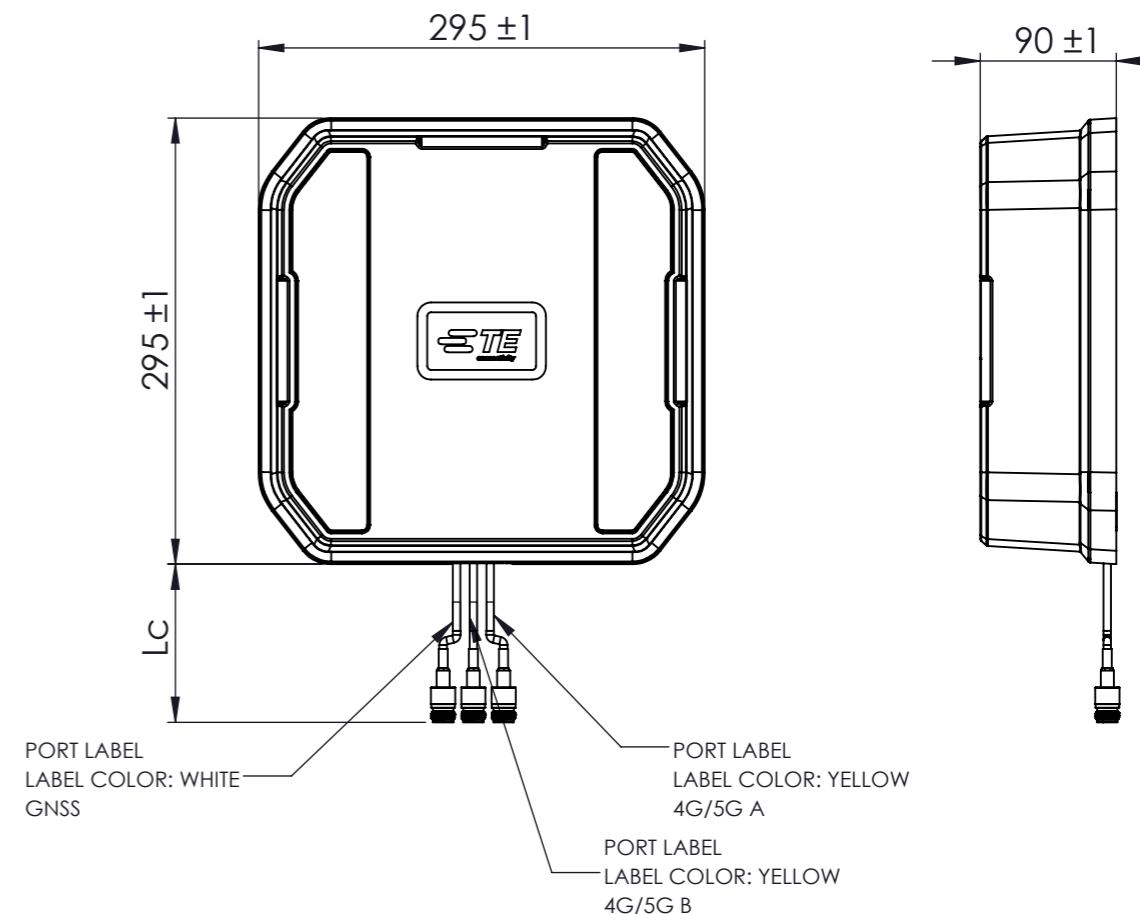


| | | | | | |
|---------------------------------------------------------------------------------------|--|----------------------------------------|--|--------------------------------------------------------------------------------------------------------------|--|
| THIS DRAWING IS A CONTROLLED DOCUMENT. | | DWN YJ TEQH | |  TE Connectivity | |
| DIMENSIONS: | | CHK WT NG | | | |
| mm | | APVD WT NG | | NAME | |
|  | | TOLERANCES UNLESS OTHERWISE SPECIFIED: | | PANEL ANTENNA MOUNTING AND OUTLINE | |
| | | 0 PLC ±0.5 | | SIZE | |
| | | 1 PLC ± | | CAGE CODE | |
| | | 2 PLC ± | | DRAWING NO | |
| | | 3 PLC ± | | RESTRICTED TO | |
| | | 4 PLC ± | | A300779 | |
| | | ANGLES ±° | | C-0000379 | |
| MATERIAL | | FINISH | | SCALE | |
| - | | - | | 1:5 | |
| - | | - | | SHEET | |
| | | | | 1 OF 6 | |
| | | | | REV | |
| | | | | A | |
| | | | | CUSTOMER DRAWING | |

REVISIONS

| REV | DESCRIPTION | DATE | DWN | APVD |
|-----|-------------|---------|-----|------|
| A | SEE SHEET 1 | 05JAN24 | YJT | WTN |

| ANTENNA SPECIFICATIONS | | | | | | | |
|---------------------------------------------------|-----------------------------------------------------|---------|-----------|-----------|-----------|-----------|--|
| Antenna Model | L000379-02 | | | | | | |
| Number of Ports | 3 (2x- 3G/LTE/4G/5G Cellular, 1x- L1 GNSS) | | | | | | |
| Port Configuration | 2x- 3G/LTE/4G/ISM/CBRS (Cellular) | | | | | | |
| Frequency Bands (MHz) | 617-698 | 698-960 | 1427-1522 | 1690-2700 | 3300-4200 | 4400-6000 | |
| Peak Gain Ave. (dBi)* | 7.3 | 8.6 | 7.1 | 7.8 | 9.4 | 8.3 | |
| Peak Gain Max. (dBi)* | 8.4 | 9.1 | 7.4 | 9.1 | 10.6 | 10 | |
| Total Efficiency Ave.* | 66 | 74 | 80 | 74 | 68 | 62 | |
| VSWR Max.* | < 3.0:1 | < 2.4:1 | < 1.9:1 | < 2.5:1 | < 2.4:1 | < 2.4:1 | |
| VSWR Ave.* | < 2.2:1 | < 1.5:1 | < 1.3:1 | < 1.6:1 | < 1.5:1 | < 1.4:1 | |
| VSWR Max.** | < 2.5:1 | < 1.8:1 | < 1.4:1 | < 1.7:1 | < 1.6:1 | < 1.5:1 | |
| VSWR Ave.** | < 1.7:1 | < 1.3:1 | < 1.1:1 | < 1.3:1 | < 1.2:1 | < 1.1:1 | |
| Isolation Max. (dB)* | 23 | 20 | 20 | 20 | 20 | 14 | |
| Isolation Ave. (dB)* | 35 | 36 | 42 | 37 | 37 | 26 | |
| Isolation Max. (dB)** | 30 | 20 | 30 | 25 | 22 | 24 | |
| Isolation Ave. (dB)** | 50 | 48 | 45 | 42 | 45 | 36 | |
| 3dB beamwidth Ave. @ Azimuth* | 70° | 63° | 74° | 70° | 47° | 62° | |
| 3 dB beamwidth @ Azimuth* | 68°-71° | 52°-68° | 69°-78° | 43°-86° | 39°-59° | 34°-104° | |
| 3dB beamwidth Ave. @ Elevation* | 66° | 60° | 75° | 70° | 47° | 64° | |
| 3 dB beamwidth @ Elevation* | 64°-67° | 52°-66° | 71°-78° | 40°-90° | 38°-60° | 36°-109° | |
| Gain Variation/Ripple (dB)* | 1.7 | 1.2 | 0.6 | 3.1 | 3.5 | 4.6 | |
| Sidelobes (dB)* @ Azimuth and Elevation | 23 | 15 | 18 | 15 | 7 | 3 | |
| Front to Back Ratio (dB)* @ Azimuth and Elevation | 31 | 28 | 31 | 25 | 22 | 15 | |
| Max Power – Ambient 25°C (W) | 5 | | | | | | |
| Nominal Impedance | 50 Ω | | | | | | |
| Polarization | Linear Slant (±45°) | | | | | | |
| Connector Type | N-Female | | | | | | |
| Weight, g (lbs) | 1.56 kg | | | | | | |
| Cables Length, m | 0.3m | | | | | | |
| Dimensions – Height x Width x Depth – m | 295 x 295 x 90 (11.61 x 11.61 x 3.54) | | | | | | |
| Cable | LMR195-equivalent | | | | | | |
| Radome Material | PC, UL94-V0 | | | | | | |
| Radome Color | White | | | | | | |
| Mounting Type | Fixed Bracket | | | | | | |
| Operating Temperature, °C (°F) | -40 to +85 (-40 to 185) | | | | | | |
| Storage Temperature, °C (°F) | -40 to +85 (-40 to 185) | | | | | | |
| Ingression Protection | IP67 | | | | | | |
| Wind Velocity (MPH) - Operational | 100 mph | | | | | | |
| Wind Velocity (MPH) - Survival | 155 mph | | | | | | |
| Mechanical Shock Rating | IEC 60068-2-27, Structural Integrity of Mountings | | | | | | |
| Vibration Test Rating | IEC 60068-2-64, Stationary Installation, Category 3 | | | | | | |
| Impact Resistance | IK-8 | | | | | | |



* Measured with 0.3m length, 0.195in. diameter cable (N-Type Female connector)

** Measured with 5.0m length, 0.195in. diameter cable (SMA-Male connector)

| GNSS ANTENNA SPECIFICATIONS | | |
|-------------------------------|-----------------------|-----------|
| Port Configuration (Label) | 1x- L1 GNSS | |
| Frequency (MHz) | 1559-1610 | |
| Passive Antenna | 1561 MHz | -6.6 Typ. |
| Peak Gain (dBi)* | 1575.42 MHz | 0.4 Typ. |
| | 1602 MHz | -0.6 Typ. |
| LNA Gain (dBi) | 28 ± 3 | |
| Noise Figure (dB) | ≤ 2.5 @ 1575 MHz | |
| Max VSWR | 2.0:1 | |
| Polarization | RHCP | |
| Nominal Impedance (Ω) | 50 | |
| DC Voltage (Vdc) | 2.5-7.0 | |
| Current @ DC 3V (mA) | 8.5 ± 3 | |
| Input Max Power @ DC 3V (dBm) | 10 | |
| Out-of-band | 617-698 MHz | > 70 |
| | 698-960 MHz | > 80 |
| Rejection (dBc) | 1428-1511 MHz | > 80 |
| | 1710-2700 MHz | > 80 |
| | 3300-4200 MHz | > 70 |
| | 4200-4400 MHz | > 80 |
| | 4900-5800 MHz | > 70 |
| Cable Type | RG174 + LMR195, Black | |
| Connector | N-Female | |

*Measure with 0.385 m RG174 + 0.4 m LMR195 coax cable.

| | | | | | |
|----------------------------------------|--|----------------------------------------|--|----------------------|--|
| THIS DRAWING IS A CONTROLLED DOCUMENT. | | DWN YJ TEQH | | | |
| | | CHK WT NG | | | |
| DIMENSIONS: | | TOLERANCES UNLESS OTHERWISE SPECIFIED: | | NAME | |
| mm | | 0 PLC ±0.5 | | PANEL ANTENNA | |
| | | 1 PLC ± | | MOUNTING AND OUTLINE | |
| | | 2 PLC ± | | SIZE | |
| | | 3 PLC ± | | CAGE CODE | |
| | | 4 PLC ± | | DRAWING NO | |
| ANGLES ±° | | APVD WT NG | | RESTRICTED TO | |
| MATERIAL | | FINISH | | - | |
| - | | - | | A300779 | |
| - | | - | | C=L000379 | |
| | | WEIGHT | | - | |
| | | CUSTOMER DRAWING | | SCALE 1:5 | |
| | | | | SHEET 2 OF 6 | |
| | | | | REV A | |

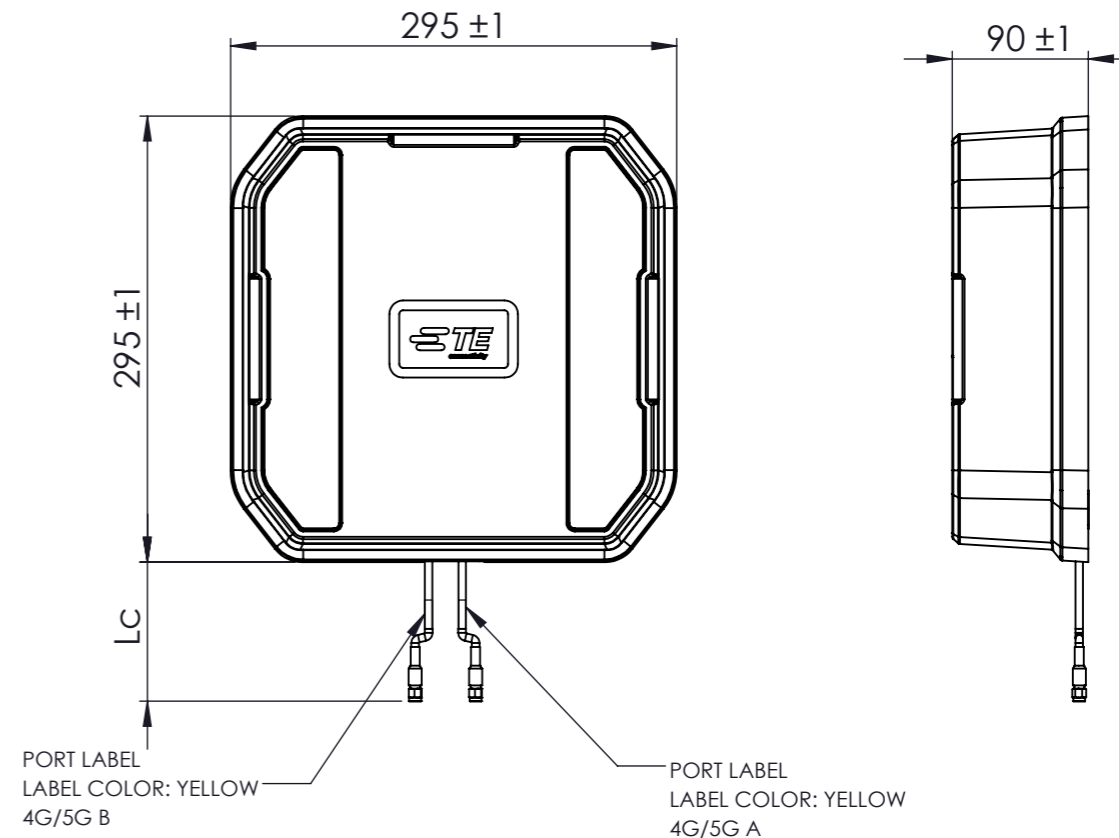
REVISIONS

| REV | DESCRIPTION | DATE | DWN | APVD |
|-----|-------------|---------|-----|------|
| A | SEE SHEET 1 | 05JAN24 | YJT | WTN |

| ANTENNA SPECIFICATIONS | | | | | | |
|---------------------------------------------------|-----------------------------------------------------|---------|-----------|-----------|-----------|-----------|
| Antenna Model | L000379-03 | | | | | |
| Number of Ports | 2 (2x- 3G/LTE/4G/5G Cellular) | | | | | |
| Port Configuration | 2x- 3G/LTE/4G/ISM/CBRS (Cellular) | | | | | |
| Frequency Bands (MHz) | 617-698 | 698-960 | 1427-1522 | 1690-2700 | 3300-4200 | 4400-6000 |
| Peak Gain Ave. (dBi)* | 7.3 | 8.6 | 7.1 | 7.8 | 9.4 | 8.3 |
| Peak Gain Max. (dBi)* | 8.4 | 9.1 | 7.4 | 9.1 | 10.6 | 10 |
| Total Efficiency Ave.* | 66 | 74 | 80 | 74 | 68 | 62 |
| VSWR Max.* | < 3.0:1 | < 2.4:1 | < 1.9:1 | < 2.5:1 | < 2.4:1 | < 2.4:1 |
| VSWR Ave.* | < 2.2:1 | < 1.5:1 | < 1.3:1 | < 1.6:1 | < 1.5:1 | < 1.4:1 |
| VSWR Max.** | < 2.5:1 | < 1.8:1 | < 1.4:1 | < 1.7:1 | < 1.6:1 | < 1.5:1 |
| VSWR Ave.** | < 1.7:1 | < 1.3:1 | < 1.1:1 | < 1.3:1 | < 1.2:1 | < 1.1:1 |
| Isolation Max. (dB)* | 23 | 20 | 20 | 20 | 20 | 14 |
| Isolation Ave. (dB)* | 35 | 36 | 42 | 37 | 37 | 26 |
| Isolation Max. (dB)** | 30 | 20 | 30 | 25 | 22 | 24 |
| Isolation Ave. (dB)** | 50 | 48 | 45 | 42 | 45 | 36 |
| 3dB beamwidth Ave. @ Azimuth* | 70° | 63° | 74° | 70° | 47° | 62° |
| 3 dB beamwidth @ Azimuth* | 68°-71° | 52°-68° | 69°-78° | 43°-86° | 39°-59° | 34°-104° |
| 3dB beamwidth Ave. @ Elevation* | 66° | 60° | 75° | 70° | 47° | 64° |
| 3 dB beamwidth @ Elevation* | 64°-67° | 52°-66° | 71°-78° | 40°-90° | 38°-60° | 36°-109° |
| Gain Variation/Ripple (dB)* | 1.7 | 1.2 | 0.6 | 3.1 | 3.5 | 4.6 |
| Sidelobes (dB)* @ Azimuth and Elevation | 23 | 15 | 18 | 15 | 7 | 3 |
| Front to Back Ratio (dB)* @ Azimuth and Elevation | 31 | 28 | 31 | 25 | 22 | 15 |
| Max Power – Ambient 25°C (W) | 5 | | | | | |
| Nominal Impedance | 50 Ω | | | | | |
| Polarization | Linear Slant (±45°) | | | | | |
| Connector Type | SMA-Male | | | | | |
| Weight, g (lbs) | 1.56 kg | | | | | |
| Cables Length, m | 5m | | | | | |
| Dimensions – Height x Width x Depth – mm | 295 x 295 x 90 (11.61 x 11.61 x 3.54) | | | | | |
| Cable | LMR195-equivalent | | | | | |
| Radome Material | PC, UL94-V0 | | | | | |
| Radome Color | White | | | | | |
| Mounting Type | Fixed Bracket | | | | | |
| Operating Temperature, °C (°F) | -40 to +85 (-40 to 185) | | | | | |
| Storage Temperature, °C (°F) | -40 to +85 (-40 to 185) | | | | | |
| Ingression Protection | IP67 | | | | | |
| Wind Velocity (MPH)- Operational | 100 mph | | | | | |
| Wind Velocity (MPH)- Survival | 155 mph | | | | | |
| Mechanical Shock Rating | IEC 60068-2-27, Structural Integrity of Mountings | | | | | |
| Vibration Test Rating | IEC 60068-2-64, Stationary Installation, Category 3 | | | | | |
| Impact Resistance | IK-8 | | | | | |

* Measured with 0.3m length, 0.195in. diameter cable (N-Type Female connector)

** Measured with 5.0m length, 0.195in. diameter cable (SMA-Male connector)

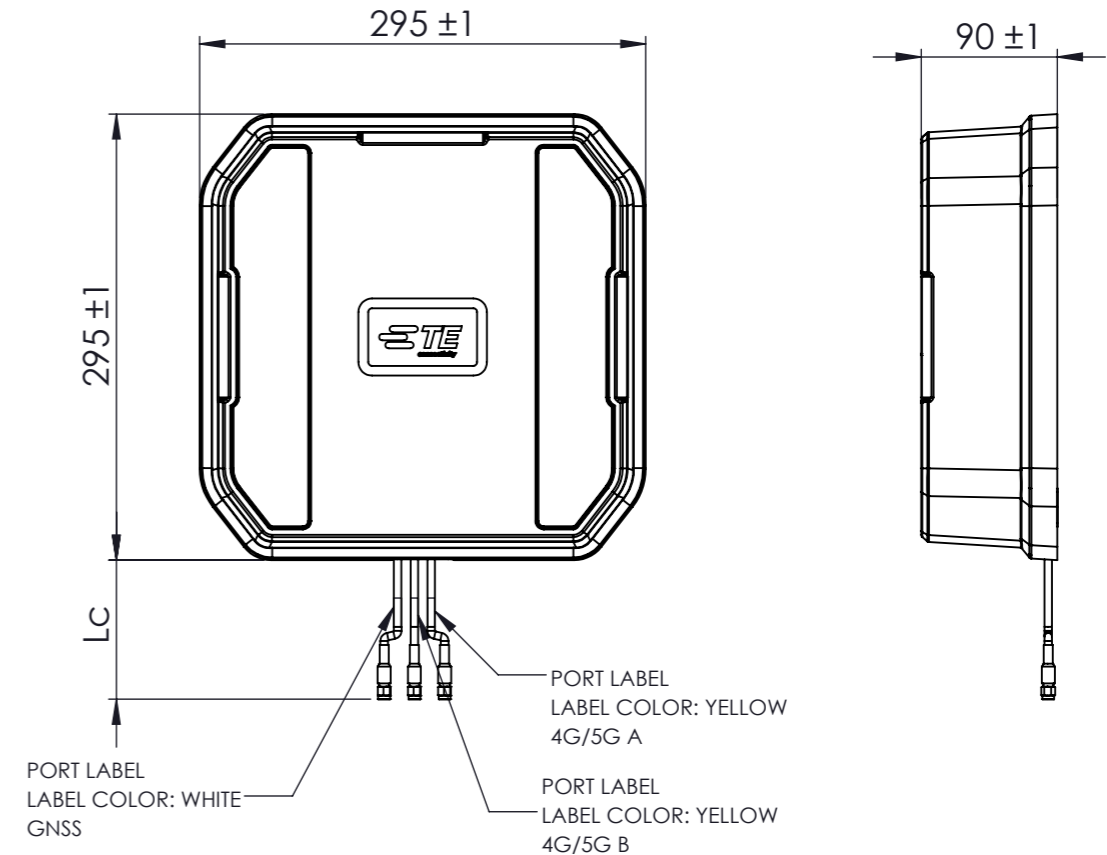


| | | | | | |
|----------------------------------------|--|----------------------------------------|--|------------------------|--|
| THIS DRAWING IS A CONTROLLED DOCUMENT. | | DWN YJ TEQH | | TE Connectivity | |
| | | CHK WT NG | | | |
| DIMENSIONS: | | TOLERANCES UNLESS OTHERWISE SPECIFIED: | | NAME | |
| mm | | 0 PLC ±0.5 | | PANEL ANTENNA | |
| | | 1 PLC ± | | MOUNTING AND OUTLINE | |
| | | 2 PLC ± | | SIZE | |
| | | 3 PLC ± | | CAGE CODE | |
| | | 4 PLC ± | | DRAWING NO | |
| MATERIAL | | FINISH | | RESTRICTED TO | |
| - | | - | | A300779 | |
| - | | - | | C=L000379 | |
| CUSTOMER DRAWING | | | | SCALE 1:5 | |
| | | | | SHEET 3 OF 6 | |
| | | | | REV A | |

REVISIONS

| REV | DESCRIPTION | DATE | DWN | APVD |
|-----|-------------|---------|-----|------|
| A | SEE SHEET 1 | 05JAN24 | YJT | WTN |

| ANTENNA SPECIFICATIONS | | | | | | |
|-----------------------------------------|-----------------------------------------------------|---------|-----------|-----------|-----------|-----------|
| Antenna Model | L000379-04 | | | | | |
| Number of Ports | 3 (2x- 3G/LTE/4G/5G Cellular, 1x- L1 GNSS) | | | | | |
| Port Configuration | 2x- 3G/LTE/4G/ISM/CBRS (Cellular) | | | | | |
| Frequency Bands (MHz) | 617-698 | 698-960 | 1427-1522 | 1690-2700 | 3300-4200 | 4400-6000 |
| Peak Gain Ave. (dBi)* | 7.3 | 8.6 | 7.1 | 7.8 | 9.4 | 8.3 |
| Peak Gain Max. (dBi)* | 8.4 | 9.1 | 7.4 | 9.1 | 10.6 | 10 |
| Total Efficiency Ave.* | 66 | 74 | 80 | 74 | 68 | 62 |
| VSWR Max.* | < 3.0:1 | < 2.4:1 | < 1.9:1 | < 2.5:1 | < 2.4:1 | < 2.4:1 |
| VSWR Ave.* | < 2.2:1 | < 1.5:1 | < 1.3:1 | < 1.6:1 | < 1.5:1 | < 1.4:1 |
| VSWR Max.** | < 2.5:1 | < 1.8:1 | < 1.4:1 | < 1.7:1 | < 1.6:1 | < 1.5:1 |
| VSWR Ave.** | < 1.7:1 | < 1.3:1 | < 1.1:1 | < 1.3:1 | < 1.2:1 | < 1.1:1 |
| Isolation Max. (dB)* | 23 | 20 | 20 | 20 | 20 | 14 |
| Isolation Ave. (dB)* | 35 | 36 | 42 | 37 | 37 | 26 |
| Isolation Max. (dB)** | 30 | 20 | 30 | 25 | 22 | 24 |
| Isolation Ave. (dB)** | 50 | 48 | 45 | 42 | 45 | 36 |
| 3dB beamwidth Ave. @ Azimuth* | 70° | 63° | 74° | 70° | 47° | 62° |
| 3 dB beamwidth @ Azimuth* | 68°-71° | 52°-68° | 69°-78° | 43°-86° | 39°-59° | 34°-104° |
| 3dB beamwidth Ave. @ Elevation* | 66° | 60° | 75° | 70° | 47° | 64° |
| 3 dB beamwidth @ Elevation* | 64°-67° | 52°-66° | 71°-78° | 40°-90° | 38°-60° | 36°-109° |
| Gain Variation/Ripple (dB)* | 1.7 | 1.2 | 0.6 | 3.1 | 3.5 | 4.6 |
| Sidelobes (dB)* @ Azimuth and Elevation | 23 | 15 | 18 | 15 | 7 | 3 |
| Front to Back Ratio (dB)* @ Azimuth and | 31 | 28 | 31 | 25 | 22 | 15 |
| Max Power – Ambient 25°C (W) | 5 | | | | | |
| Nominal Impedance | 50 Ω | | | | | |
| Polarization | Linear Slant (±45°) | | | | | |
| Connector Type | SMA Male | | | | | |
| Weight, g (lbs) | 1.56 kg | | | | | |
| Cables Length, m | 5m | | | | | |
| Dimensions – Height x Width x Depth – m | 295 x 295 x 90 (11.61 x 11.61 x 3.54) | | | | | |
| Cable | LMR195-equivalent | | | | | |
| Radome Material | PC, UL94-V0 | | | | | |
| Radome Color | White | | | | | |
| Mounting Type | Fixed Bracket | | | | | |
| Operating Temperature, °C (°F) | -40 to +85 (-40 to 185) | | | | | |
| Storage Temperature, °C (°F) | -40 to +85 (-40 to 185) | | | | | |
| Ingression Protection | IP67 | | | | | |
| Wind Velocity (MPH)- Operational | 100 mph | | | | | |
| Wind Velocity (MPH)- Survival | 155 mph | | | | | |
| Mechanical Shock Rating | IEC 60068-2-27, Structural Integrity of Mountings | | | | | |
| Vibration Test Rating | IEC 60068-2-64, Stationary Installation, Category 3 | | | | | |
| Impact Resistance | IK-8 | | | | | |



* Measured with 0.3m length, 0.195in. diameter cable (N-Type Female connector)

** Measured with 5.0m length, 0.195in. diameter cable (SMA-Male connector)

| GNSS ANTENNA SPECIFICATIONS | | |
|-------------------------------|-----------------------|-----------|
| Port Configuration (Label) | 1x- L1 GNSS | |
| Frequency (MHz) | 1559-1610 | |
| Passive Antenna | 1561 MHz | -6.6 Typ. |
| Peak Gain (dBi)* | 1575.42 MHz | 0.4 Typ. |
| | 1602 MHz | -0.6 Typ. |
| LNA Gain (dBi) | 28 ± 3 | |
| Noise Figure (dB) | ≤ 2.5 @ 1575 MHz | |
| Max VSWR | 2.0:1 | |
| Polarization | RHCP | |
| Nominal Impedance (Ω) | 50 | |
| DC Voltage (Vdc) | 2.5-7.0 | |
| Current @ DC 3V (mA) | 8.5 ± 3 | |
| Input Max Power @ DC 3V (dBm) | 10 | |
| Out-of-band | 617-698 MHz | > 70 |
| | 698-960 MHz | > 80 |
| Rejection (dBc) | 1428-1511 MHz | > 80 |
| | 1710-2700 MHz | > 80 |
| | 3300-4200 MHz | > 70 |
| | 4200-4400 MHz | > 80 |
| | 4900-5800 MHz | > 70 |
| Cable Type | RG174 + LMR195, Black | |
| Connector | SMA Male | |

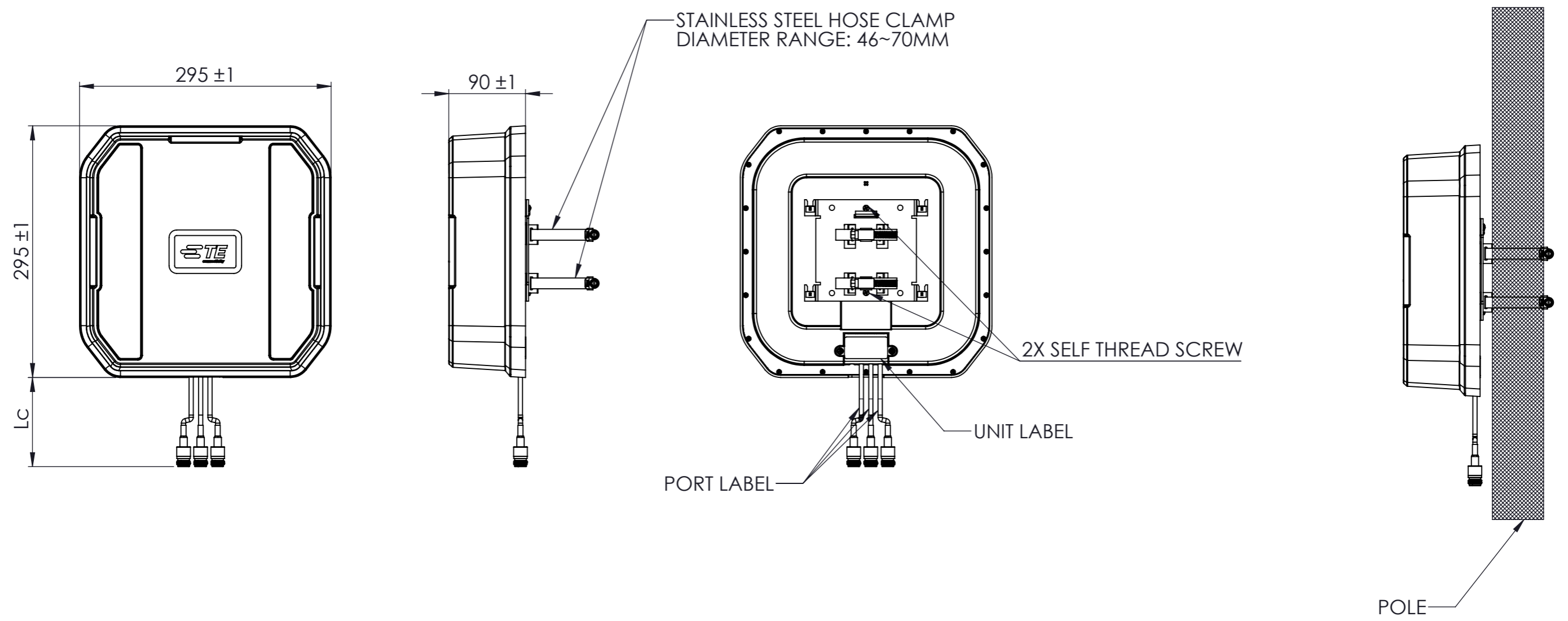
*Measure with 0.385 m RG174 + 0.4 m LMR195 coax cable.

| | | | | | |
|----------------------------------------|--|---------------------------------------------------------------------|--|-------------------------------------------|--|
| THIS DRAWING IS A CONTROLLED DOCUMENT. | | DWN YJ TEQH | | TE Connectivity | |
| DIMENSIONS: | | CHK WT NG | | | |
| mm | | APVD WT NG | | NAME | |
| | | TOLERANCES UNLESS OTHERWISE SPECIFIED: | | PANEL ANTENNA MOUNTING AND OUTLINE | |
| | | 0 PLC ±0.5 1 PLC ± 2 PLC ± 3 PLC ± 4 PLC ± ANGLES ±° | | | |
| MATERIAL | | FINISH | | PRODUCT SPEC | |
| - | | - | | APPLICATION SPEC | |
| - | | - | | WEIGHT | |
| - | | - | | - | |
| | | CUSTOMER DRAWING | | RESTRICTED TO | |
| | | | | SIZE CAGE CODE DRAWING NO | |
| | | | | A300779 C=L000379 | |
| | | | | SCALE 1:5 SHEET 4 OF 6 REV A | |

REVISIONS

| REV | DESCRIPTION | DATE | DWN | APVD |
|-----|-------------|---------|-----|------|
| A | SEE SHEET 1 | 05JAN24 | YJT | WTN |

POLE MOUNT:



THIS DRAWING IS A CONTROLLED DOCUMENT.

| | | | |
|-------------------|--|----------------------------------------|------|
| DIMENSIONS: mm | | TOLERANCES UNLESS OTHERWISE SPECIFIED: | |
| | | 0 PLC | ±0.5 |
| | | 1 PLC | ± |
| | | 2 PLC | ± |
| | | 3 PLC | ± |
| | | 4 PLC | ± |
| MATERIAL | | FINISH | |
| - | | - | |

| | |
|------------------|---------|
| DWN | YJ TEQH |
| CHK | WT NG |
| APVD | WT NG |
| PRODUCT SPEC | - |
| APPLICATION SPEC | - |
| WEIGHT | - |
| CUSTOMER DRAWING | |

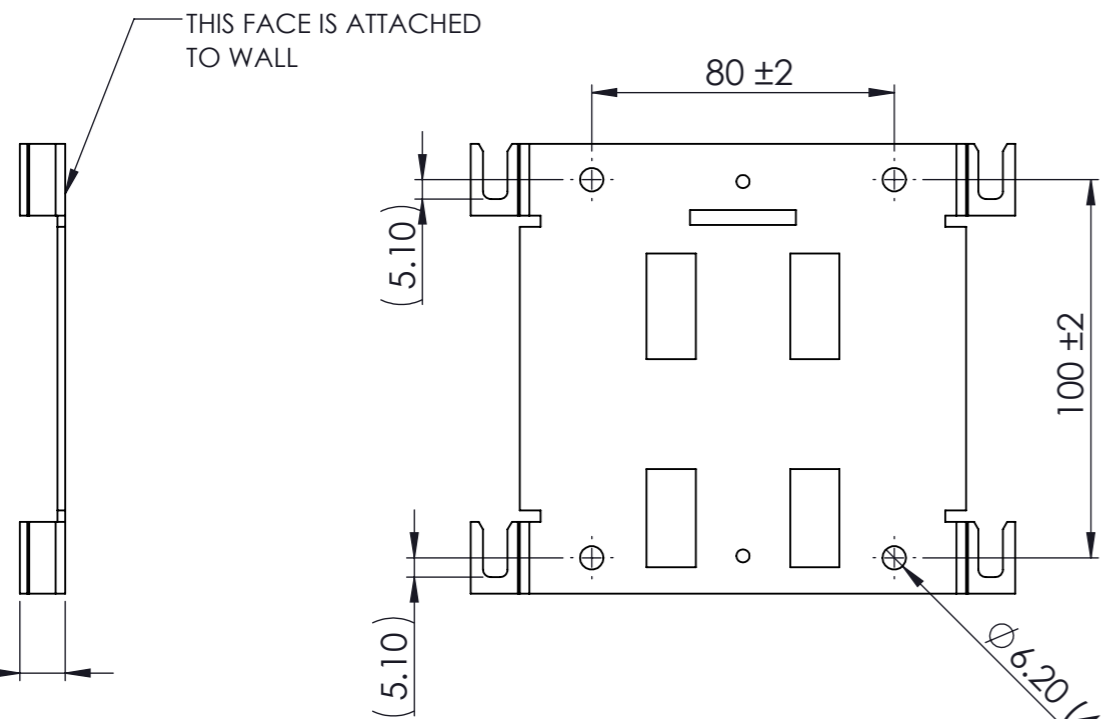
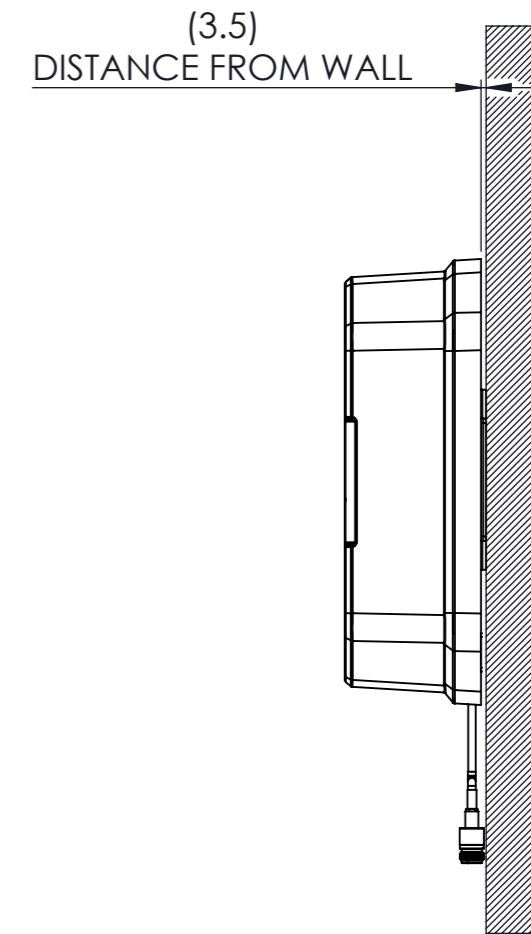
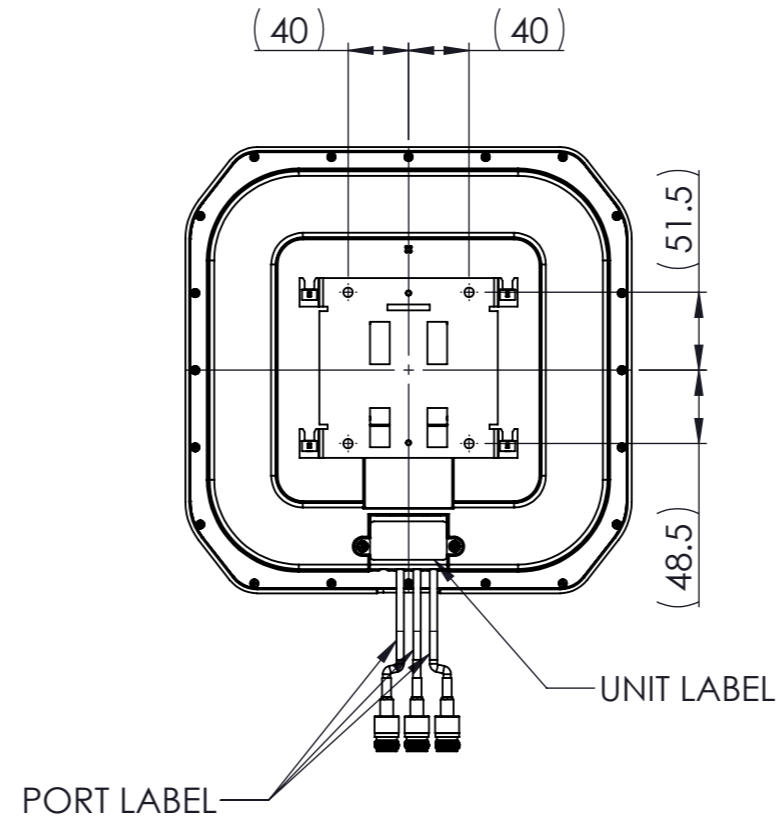
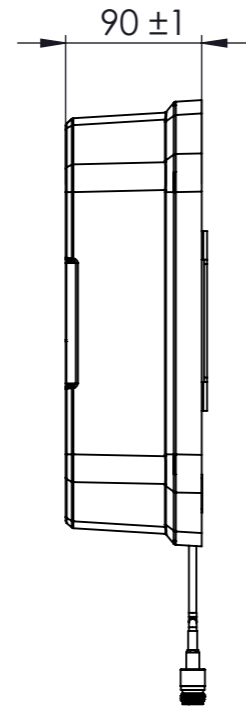
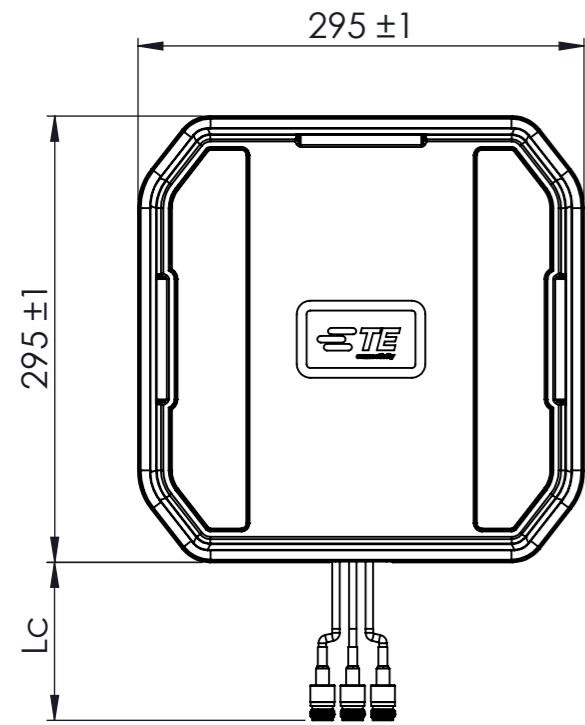
TE TE Connectivity

NAME
PANEL ANTENNA MOUNTING AND OUTLINE

| | | | |
|-----------|-----------|--------------|---------------|
| SIZE | CAGE CODE | DRAWING NO | RESTRICTED TO |
| A3 | 00779 | C=C-L000379 | |
| SCALE 1:5 | | SHEET 5 OF 6 | REV A |

| REV | DESCRIPTION | DATE | DWN | APVD |
|-----|-------------|---------|-----|------|
| A | SEE SHEET 1 | 05JAN24 | YJT | WTN |

WALL MOUNT:
ANTENNA IS HOOKED UP TO WALL MOUNTING BRACKET



LOW PROFILE WALL MOUNTING BRACKET:
DRILLING DIMS AND ORIENTATION

| | | | | | |
|----------------------------------------|--|---------------------------------------------------------------------|--|---------------------------|--------------------|
| THIS DRAWING IS A CONTROLLED DOCUMENT. | | DWN YJ TEDH | | TE Connectivity | |
| DIMENSIONS: mm | | CHK WT NG | | | |
| | | TOLERANCES UNLESS OTHERWISE SPECIFIED: | | APVD WT NG | |
| | | 0 PLC ±0.5 1 PLC ± 2 PLC ± 3 PLC ± 4 PLC ± ANGLES ±° | | PRODUCT SPEC | |
| MATERIAL | | FINISH | | APPLICATION SPEC | |
| - | | - | | - | |
| | | | | WEIGHT | |
| | | | | - | |
| CUSTOMER DRAWING | | | | SIZE A3 | CAGE CODE 00779 |
| | | | | DRAWING NO C=C-L000379 | RESTRICTED TO |
| | | | | SCALE 1:5 | SHEET 6 OF 6 |
| | | | | REV A | |