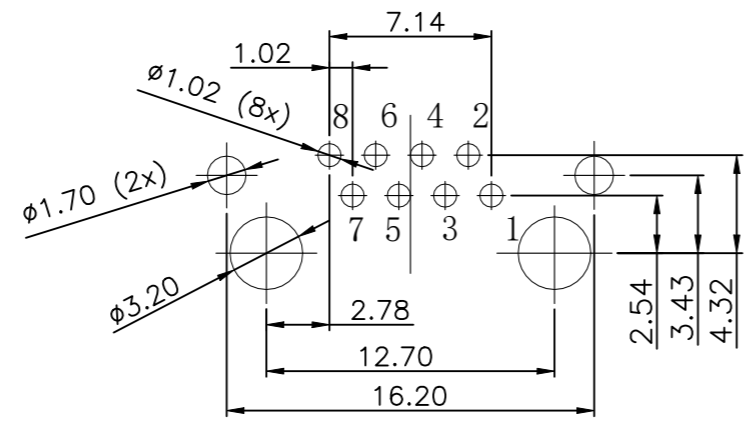
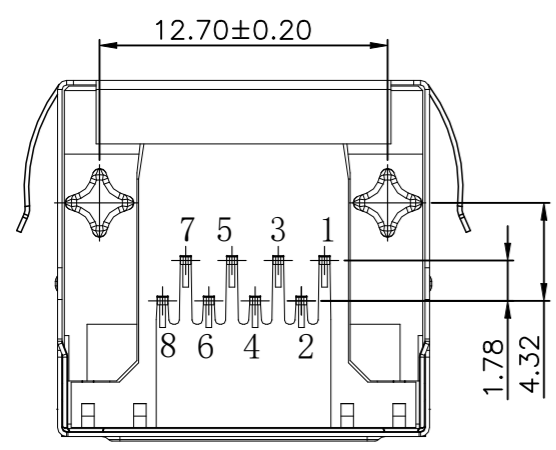
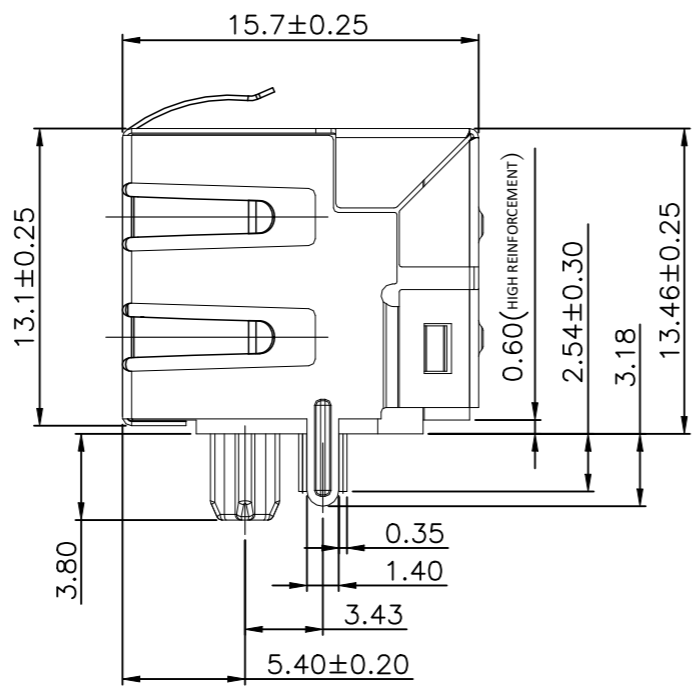
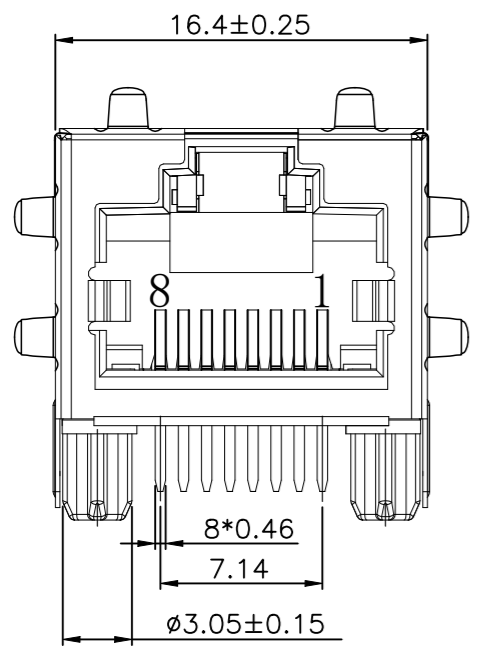
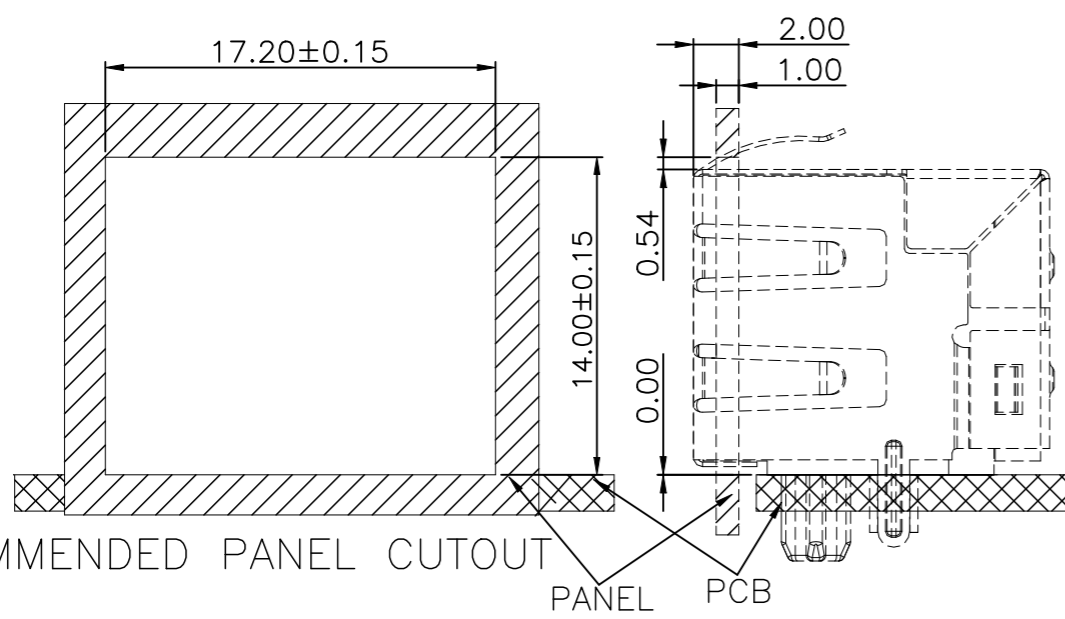


REVISIONS				
P	LTR	DESCRIPTION	DATE	APVD
	A1	NEW DRAWING	07NOV2023	ASB LET



RECOMMENDED PCB LAYOUT TOP VIEW
COMPONENT SIDE TOLERANCE±0.05

- 1. CONNECTOR MATERIAL:
HOUSING:LCP BLACK UL94V-0
INSERT:LCP BLACK UL94V-0
SHIELD:COPPER ALLOY, THICKNESS 0.2mm
SHIELD PLATING:NICKEL
CONTACT:PHOSPHOR BRONZE
CONTACT PLATING:30µinch GOLD PLATING ON CONTACT AREA.
50µinch MIN.NICKEL UNDERPLATED OVER ALL.
80µinch MIN.MATTE-TIN ON SOLDER TAIL.
- 2. DURABILITY: 750 CYCLES MIN.
- 3. CONNECTOR MATING, UNMATING FORCE:30N MAX.
- 4. PLUG RETENTION FORCE: 50N MIN, 60s±5s.
- 5. THE PART IS RECOMMENDED FOR REFLOW SOLDERING PROCESS
- 6. PACKAGING:REEL (T+R) ACCORDING TO PACKAGING SPECIFICATION 107-18116
- 7. PROP 65 WARNING LABEL:SEE SHEET 2



RECOMMENDED PANEL CUTOUT


THIS DRAWING IS A CONTROLLED DOCUMENT.		DWN N K NIKHIL 07NOV2023	STE TE Connectivity	
DIMENSIONS: mm		CHK N MANTIKOU 09NOV2023		
TOLERANCES UNLESS OTHERWISE SPECIFIED:		APVD T LEININGER 09NOV2023	NAME RJ45 JACK THT 1Gb R/A 1X1	
0 PLC ± -		PRODUCT SPEC 108-94945	-	
1 PLC ± 0.35		APPLICATION SPEC 114-97854	-	
2 PLC ± 0.25		WEIGHT 4.172g	SIZE A3	CAGE CODE 00779
3 PLC ± 0.15		FINISH -1	DRAWING NO C-2501550-2	RESTRICTED TO -
4 PLC ± -			CUSTOMER DRAWING	
ANGLES ± 2°		SCALE NTS	SHEET 1 OF 2	REV A1

REVISIONS					
P	LTR	DESCRIPTION	DATE	DWN	APVD
	-	SEE SHEET 1	-	-	-

NOTES: CONTINUATION FROM SHEET 1:

7 PROP 65 WARNING LABEL:

- THE WARNING LABEL ON THE PRODUCT OR LOWEST LEVEL PACKAGING
- CHEMICAL NAME: NICKEL (METALLIC)



WARNING: This product can expose you to chemicals including NICKEL (METALLIC) which is known to the state of California to cause cancer. For more information, visit www.P65Warnings.ca.gov.

THIS DRAWING IS A CONTROLLED DOCUMENT.		DWN N K NIKHIL 07NOV2023	STE TE Connectivity		
		CHK N MANTIKOU 09NOV2023			
DIMENSIONS: mm		APVD T LEININGER 09NOV2023	NAME RJ45 JACK THT 1Gb R/A 1X1		
TOLERANCES UNLESS OTHERWISE SPECIFIED:		PRODUCT SPEC 108-94945	-		
0 PLC ± -		APPLICATION SPEC 114-97854	SIZE	CAGE CODE	DRAWING NO
1 PLC ± 0.35		WEIGHT 4.172g	A3	00779	C-2501550-2
2 PLC ± 0.25		CUSTOMER DRAWING		SCALE	SHEET
3 PLC ± 0.15				NTS	2 OF 2
4 PLC ± -				REV	A1
ANGLES ± 2°					
MATERIAL	FINISH	RESTRICTED TO			
1	1	-			