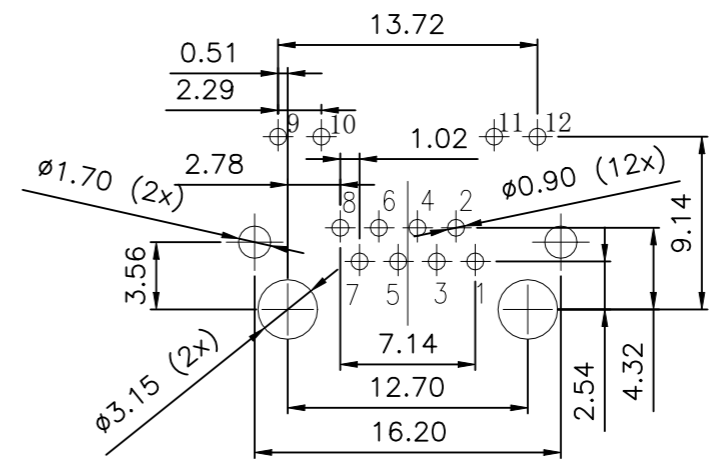
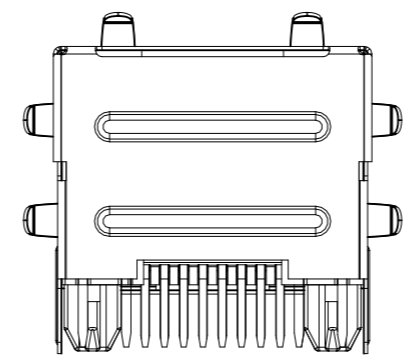
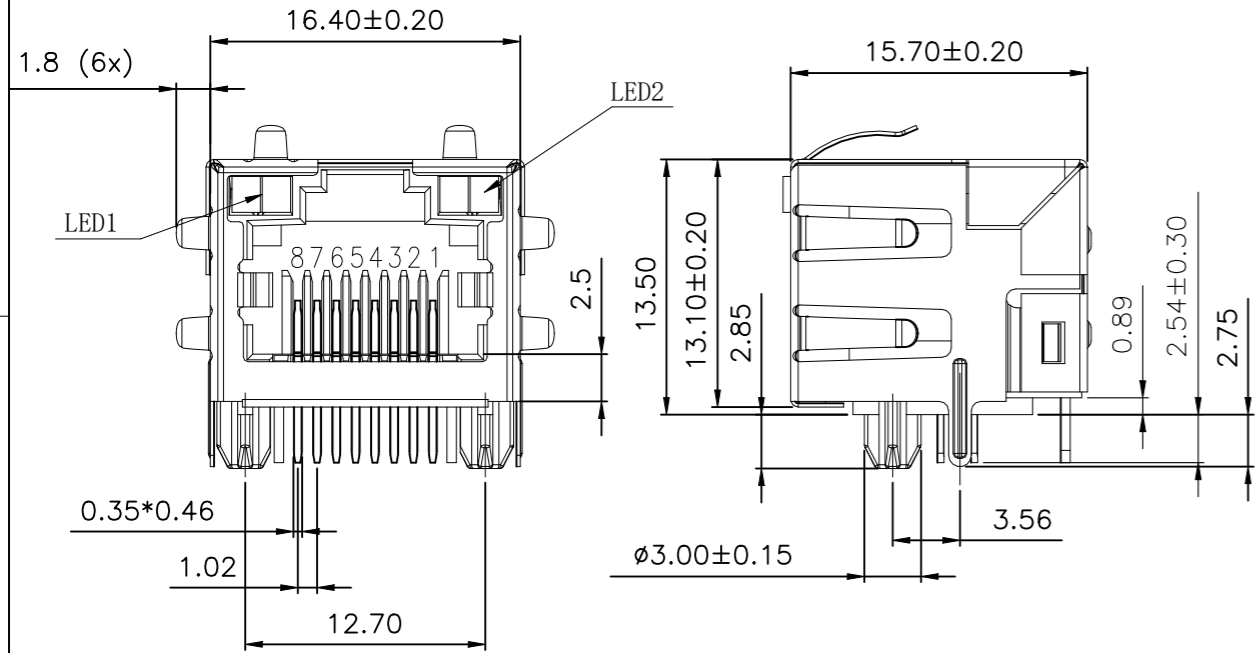
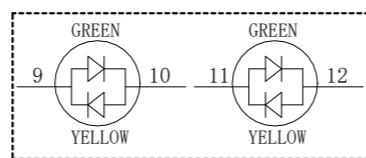


REVISIONS				
P	LTR	DESCRIPTION	DATE	APVD
	A1	NEW DRAWING	10NOV2023	ASB LET



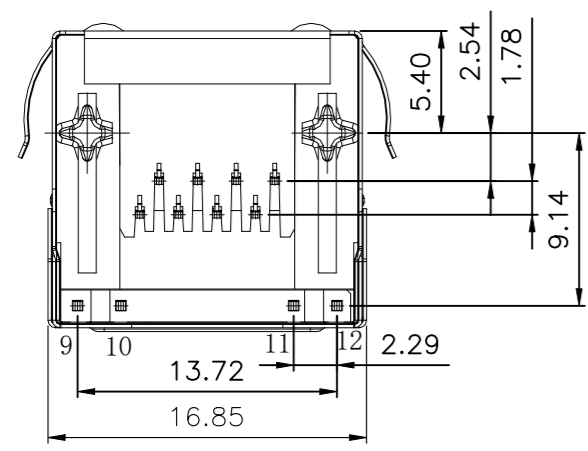
RECOMMENDED PCB LAYOUT TOP VIEW  
COMPONENT SIDE TOLERANCE±0.05



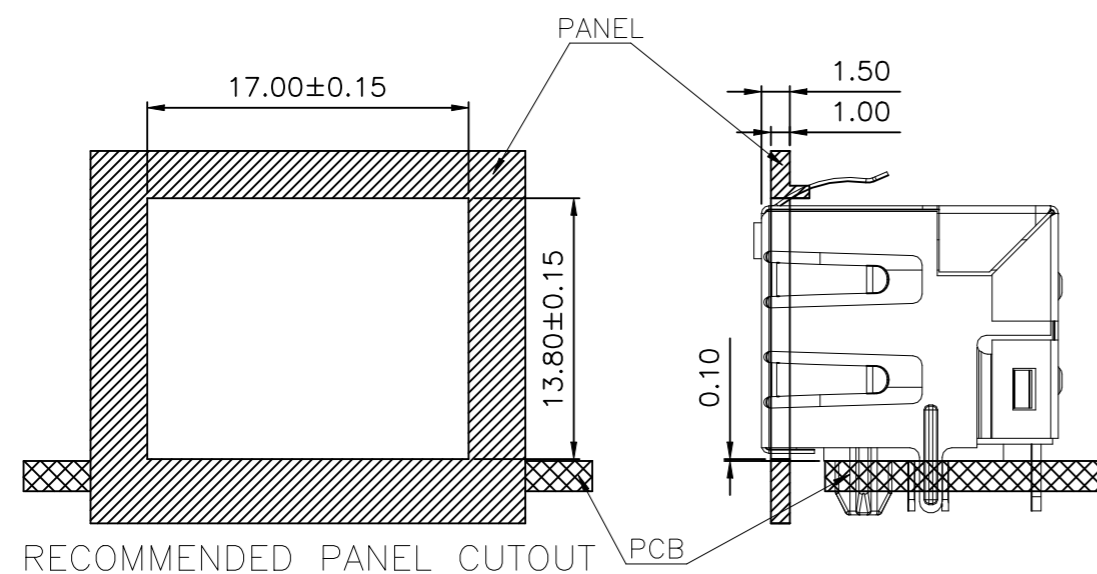
LED PIN DEFINE

	WAVELENGTH		
	MINIMUM VALUE	AVERAGE VALUE	MAXIMUM VALUE
GREEN/YELLOW	565/585	569/588	570/590

FORWARD VOLTAGE: VF=1.8-2.4V  
FORWARD CURRENT: IF=20mA



- 1. CONNECTOR MATERIAL:  
HOUSING:LCP BLACK UL94V-0  
SHIELD:COPPER ALLOY, THICKNESS 0.2mm  
SHIELD PLATING:NICKEL  
CONTACT:PHOSPHOR BRONZE  
CONTACT PLATING:30µinch GOLD PLATING ON CONTACT AREA.  
50µinch MIN.NICKEL UNDERPLATED OVER ALL.  
80µinch MIN.MATTE-TIN ON SOLDER TAIL.
- LED 1:GREEN/YELLOW  
LED 2:GREEN/YELLOW
- 2. THE PART IS RECOMMENDED FOR REFLOW SOLDERING PROCESS
- 3. RJ45 CAVITY DIMENSION CONFORM TO FCC PART 68.
- 4. PACKAGING:REEL (T+R) ACCORDING TO PACKAGING SPECIFICATION 107-18116
- 5. PROP 65 WARNING LABEL:SEE SHEET 2



RECOMMENDED PANEL CUTOUT


THIS DRAWING IS A CONTROLLED DOCUMENT.		DWN B S ADRUSH 10NOV2023	TE Connectivity	
DIMENSIONS: mm		CHK N MANTIKOU 12NOV2023		
TOLERANCES UNLESS OTHERWISE SPECIFIED:		APVD T LEININGER 12NOV2023	NAME RJ45 JACK THT 1Gb R/A LED 1X1	
0 PLC ± - 1 PLC ± 0.35 2 PLC ± 0.25 3 PLC ± 0.15 4 PLC ± - ANGLES ± 2°		PRODUCT SPEC 108-94945	-	
MATERIAL		APPLICATION SPEC 114-97854	SIZE A3	RESTRICTED TO -
FINISH		WEIGHT 4.10g	CAGE CODE 00779	DRAWING NO C-2501550-4
1		CUSTOMER DRAWING		SCALE NTS
		SHEET 1 OF 2		REV A1

REVISIONS					
P	LTR	DESCRIPTION	DATE	DWN	APVD
	-	SEE SHEET 1	-	-	-

NOTES: CONTINUATION FROM SHEET 1:

5 PROP 65 WARNING LABEL:

- THE WARNING LABEL ON THE PRODUCT OR LOWEST LEVEL PACKAGING
- CHEMICAL NAME: NICKEL (METALLIC)



**WARNING:** This product can expose you to chemicals including NICKEL (METALLIC) which is known to the state of California to cause cancer. For more information, visit [www.P65Warnings.ca.gov](http://www.P65Warnings.ca.gov).

THIS DRAWING IS A CONTROLLED DOCUMENT.		DWN B S ADRUSH 10NOV2023	<b>STE</b> TE Connectivity		
		CHK N MANTIKOU 12NOV2023			
DIMENSIONS: mm		APVD T LEININGER 12NOV2023	NAME RJ45 JACK THT 1Gb R/A LED 1X1		
TOLERANCES UNLESS OTHERWISE SPECIFIED:		PRODUCT SPEC 108-94945	-		
0 PLC ± -		APPLICATION SPEC 114-97854	SIZE	CAGE CODE	DRAWING NO
1 PLC ± 0.35		WEIGHT 4.10g	A3	00779	C-2501550-4
2 PLC ± 0.25		CUSTOMER DRAWING		SCALE	SHEET
3 PLC ± 0.15				NTS	2 OF 2
4 PLC ± -				RESTRICTED TO	REV
ANGLES ± 2°				-	A1
MATERIAL	FINISH				
1	1				