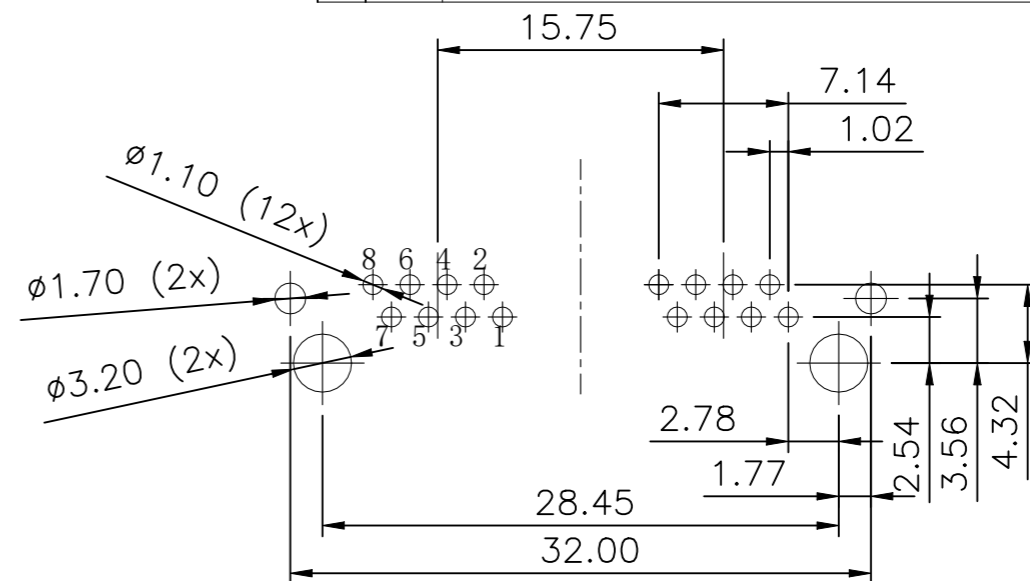
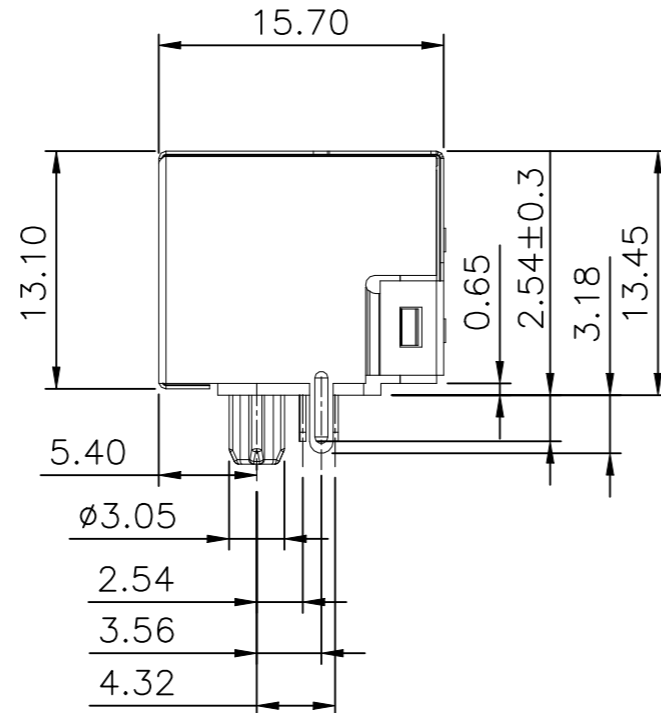
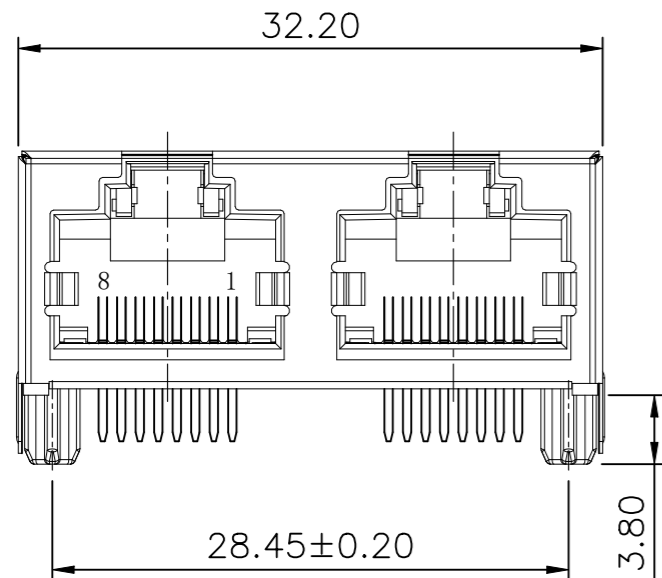
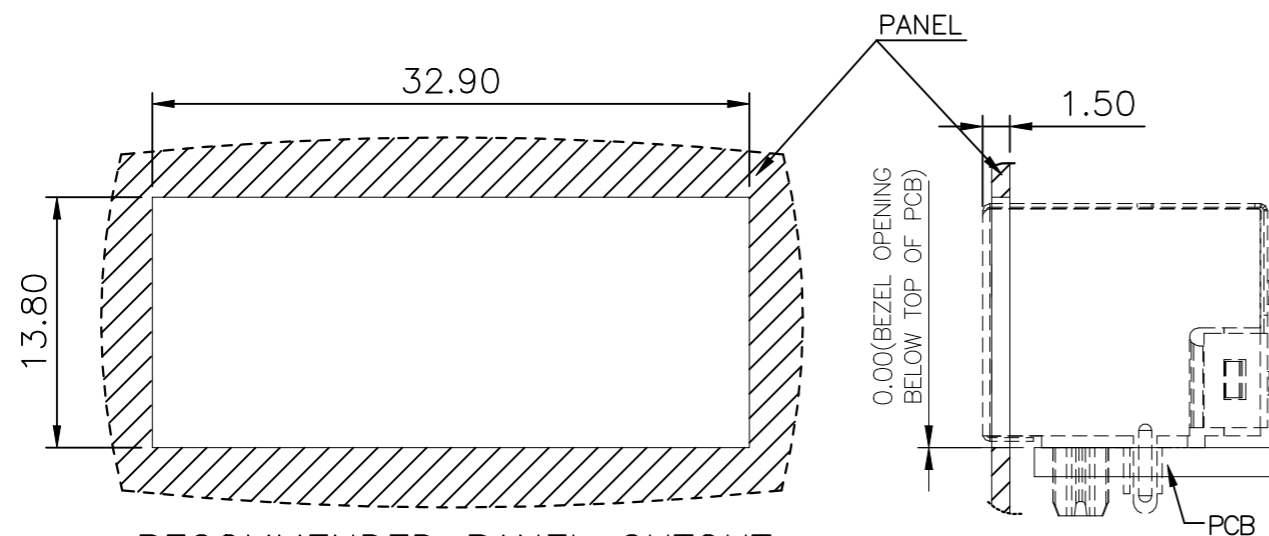
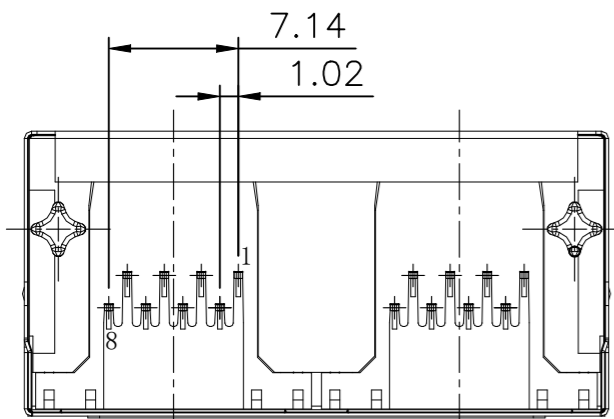


P	LTR	DESCRIPTION	DATE	DWN	APVD
	A1	NEW DRAWING	10NOV2023	ASB	LET



RECOMMENDED PCB LAYOUT TOP VIEW
COMPONENT SIDE TOLERANCE±0.05 THICKNESS=3.0mm



RECOMMENDED PANEL CUTOUT

- 1 CONNECTOR MATERIAL:
 HOUSING:LCP BLACK UL94V-0
 INSERT:LCP BLACK UL94V-0.
 SHIELD:COPPER ALLOY, THICKNESS 0.2mm
 SHIELD PLATING:NICKEL
 CONTACT:PHOSPHOR BRONZE
 CONTACT PLATING:30μinch GOLD PLATING ON CONTACT AREA.
 50μinch MIN. NICKEL UNDERPLATED OVER ALL.
 80μinch MIN. MATTE-TIN ON SOLDER TAIL.
- 2. RJ45 CAVITY DIMENSION CONFORM TO FCC PART 68.
- 3. THE PART IS RECOMMENDED FOR REFLOW SOLDERING PROCESS
- 4. PACKAGING:TRAY ACCORDING TO PACKAGING SPECIFICATION 107-18116
- 5 PROP 65 WARNING LABEL:SEE SHEET 2


THIS DRAWING IS A CONTROLLED DOCUMENT.		DWN B S ADRUSH 10NOV2023	TE Connectivity	
		CHK N MANTIKOU 12NOV2023		
		APVD T LEININGER 12NOV2023	NAME	
		PRODUCT SPEC 108-94945	RJ45 JACK THT 1Gb R/A 1X2	
		APPLICATION SPEC 114-97854	SIZE	RESTRICTED TO
		WEIGHT 7.36g	A3	—
		CUSTOMER DRAWING	CAGE CODE 00779	—
			DRAWING NO C-2501550-5	—
			SCALE NTS	—
			SHEET 1 OF 2	—
			REV A1	—

REVISIONS					
P	LTR	DESCRIPTION	DATE	DWN	APVD
	-	SEE SHEET 1	-	-	-

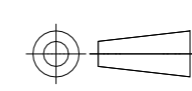
NOTES: CONTINUATION FROM SHEET 1:

5 PROP 65 WARNING LABEL:

- THE WARNING LABEL ON THE PRODUCT OR LOWEST LEVEL PACKAGING
- CHEMICAL NAME: NICKEL (METALLIC)



WARNING: This product can expose you to chemicals including **NICKEL (METALLIC)** which is known to the state of California to cause cancer. For more information, visit www.P65Warnings.ca.gov.

THIS DRAWING IS A CONTROLLED DOCUMENT.		DWN B S ADRUSH 10NOV2023	STE TE Connectivity		
		CHK N MANTIKOU 12NOV2023			
DIMENSIONS: mm		APVD T LEININGER 12NOV2023	NAME RJ45 JACK THT 1Gb R/A 1X2		
		PRODUCT SPEC 108-94945	-		
		TOLERANCES UNLESS OTHERWISE SPECIFIED: 0 PLC ± - 1 PLC ± 0.35 2 PLC ± 0.25 3 PLC ± 0.15 4 PLC ± - ANGLES ± 2°	APPLICATION SPEC 114-97854	SIZE A3	CAGE CODE 00779
MATERIAL 1	FINISH 1	WEIGHT 7.36g	SCALE NTS		
CUSTOMER DRAWING			SHEET 2 OF 2	REV A1	