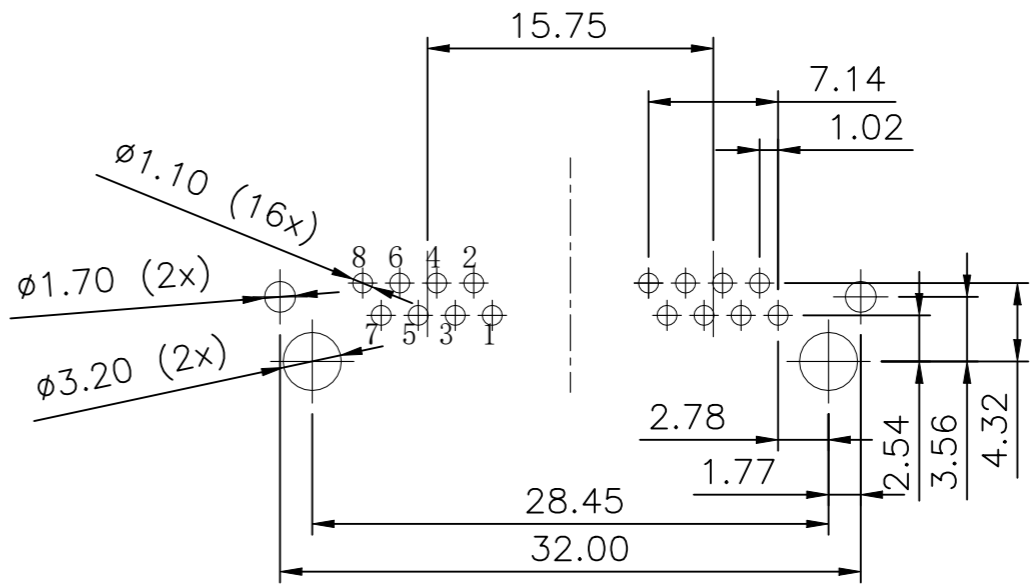
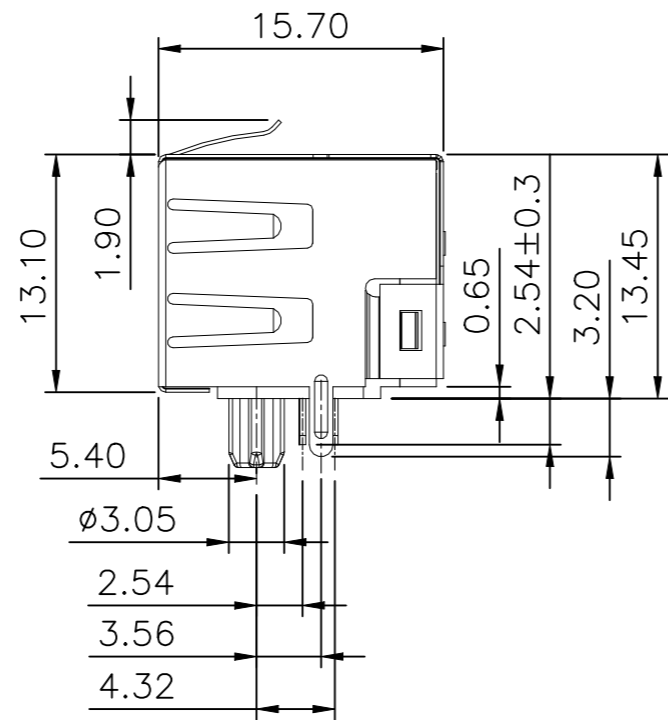
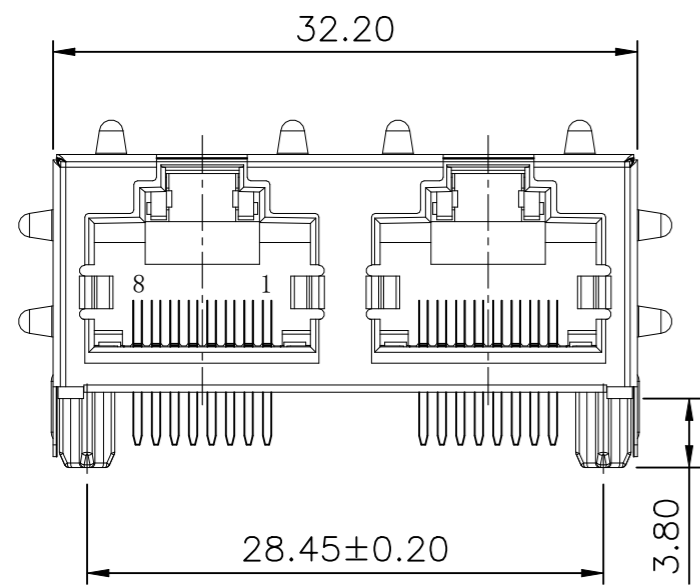
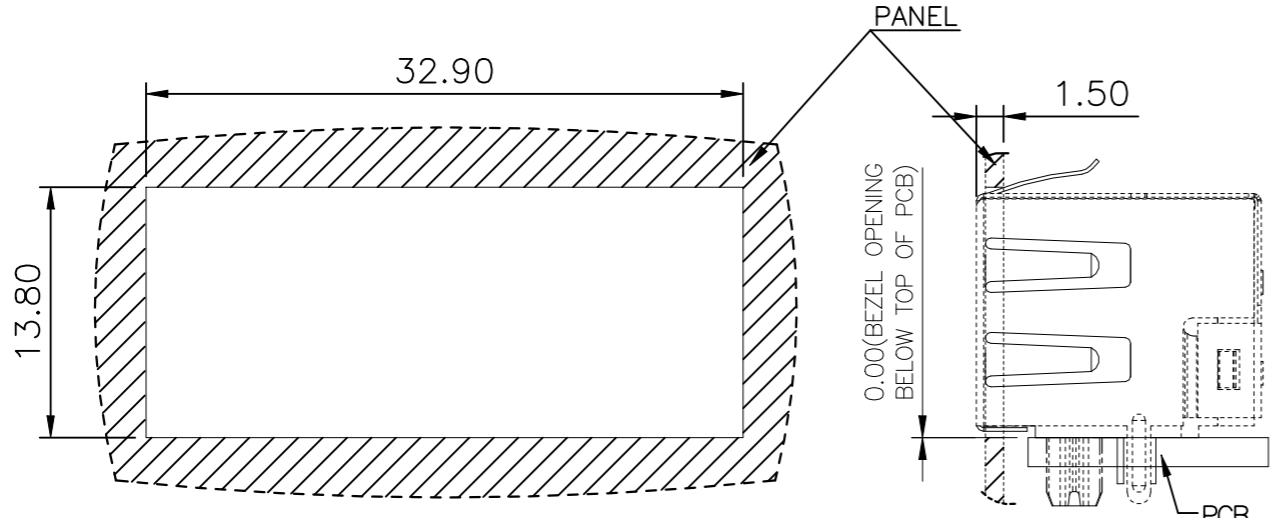
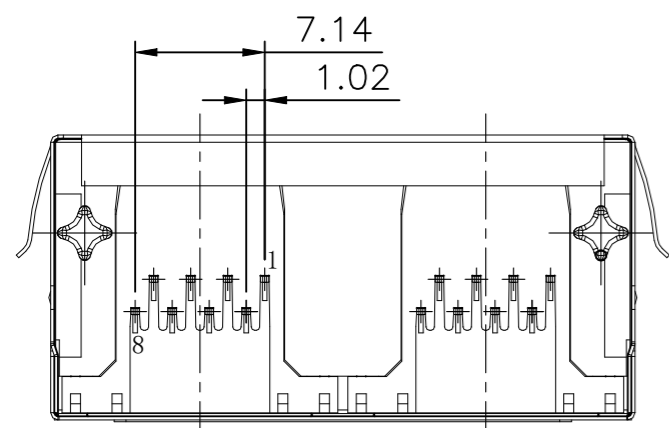


REVISIONS					
P	LTR	DESCRIPTION	DATE	DWN	APVD
	A1	NEW DRAWING	10NOV2023	ASB	LET



RECOMMENDED PCB LAYOUT TOP VIEW  
COMPONENT SIDE TOLERANCE±0.05 THICKNESS=3.0mm



RECOMMENDED PANEL CUTOUT

- 1 **CONNECTOR MATERIAL:**  
 HOUSING:LCP BLACK UL94V-0  
 INSERT:LCP BLACK UL94V-0.  
 SHIELD:COPPER ALLOY, THICKNESS 0.2mm  
 SHIELD PLATING:NICKEL  
 CONTACT:PHOSPHOR BRONZE  
 CONTACT PLATING:30μinch GOLD PLATING ON CONTACT AREA.  
 50μinch MIN.NICKEL UNDERPLATED OVER ALL.  
 80μinch MIN.MATTE-TIN ON SOLDER TAIL.
- 2.RJ45 CAVITY DIMENSION CONFORM TO FCC PART 68.
- 3. THE PART IS RECOMMENDED FOR REFLOW SOLDERING PROCESS
- 4. PACKAGING:TRAY ACCORDING TO PACKAGING SPECIFICATION 107-18116
- 5 **PROP 65 WARNING LABEL:SEE SHEET 2**


THIS DRAWING IS A CONTROLLED DOCUMENT.		DWN B S ADRUSH 10NOV2023	TE Connectivity		
DIMENSIONS: mm		CHK N MANTIKOU 12NOV2023			
TOLERANCES UNLESS OTHERWISE SPECIFIED:		APVD T LEININGER 12NOV2023	NAME RJ45 JACK THT 1Gb R/A 1X2		
0 PLC ± - 1 PLC ± 0.35 2 PLC ± 0.25 3 PLC ± 0.15 4 PLC ± - ANGLES ± 2° FINISH		PRODUCT SPEC 108-94945	RESTRICTED TO		
MATERIAL 1		APPLICATION SPEC 114-97854	SIZE A3	CAGE CODE 00779	DRAWING NO C-2501550-6
		WEIGHT 7.36g	SCALE NTS		SHEET 1 OF 2
		CUSTOMER DRAWING		REV A1	

REVISIONS					
P	LTR	DESCRIPTION	DATE	DWN	APVD
	-	SEE SHEET 1	-	-	-

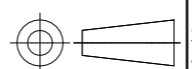
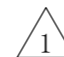

NOTES: CONTINUATION FROM SHEET 1:

5 PROP 65 WARNING LABEL:

- THE WARNING LABEL ON THE PRODUCT OR LOWEST LEVEL PACKAGING
- CHEMICAL NAME: NICKEL (METALLIC)



**WARNING:** This product can expose you to chemicals including NICKEL (METALLIC) which is known to the state of California to cause cancer. For more information, visit [www.P65Warnings.ca.gov](http://www.P65Warnings.ca.gov).

THIS DRAWING IS A CONTROLLED DOCUMENT.		DWN B S ADRUSH 10NOV2023	<b>STE</b> TE Connectivity				
		CHK N MANTIKOU 12NOV2023					
DIMENSIONS: mm		APVD T LEININGER 12NOV2023	NAME RJ45 JACK THT 1Gb R/A 1X2				
		PRODUCT SPEC 108-94945	-				
		APPLICATION SPEC 114-97854	-				
MATERIAL	FINISH	WEIGHT 7.36g	SIZE A3	CAGE CODE 00779	DRAWING NO C-2501550-6	RESTRICTED TO -	
				CUSTOMER DRAWING	SCALE NTS	SHEET 2 OF 2	REV A1