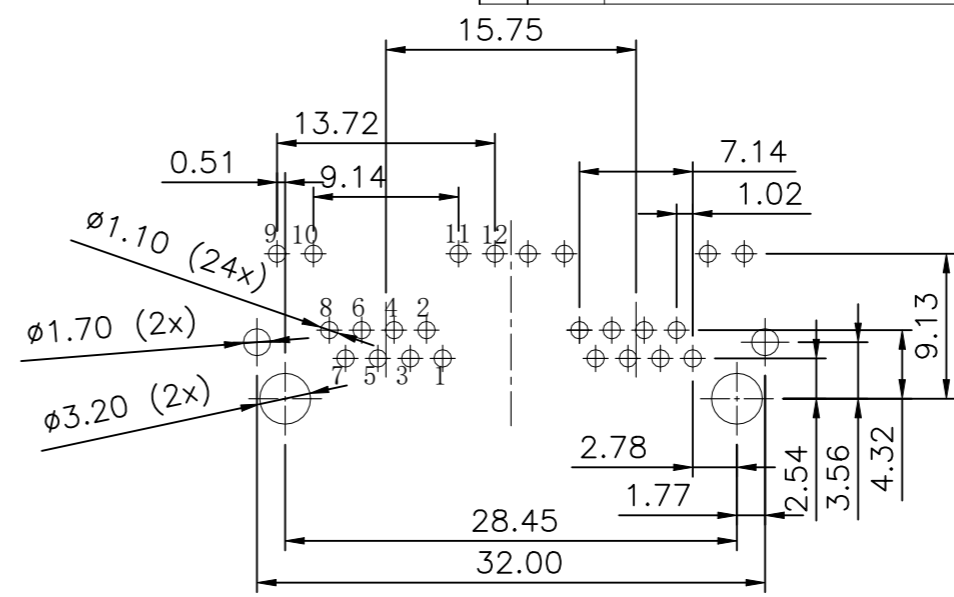
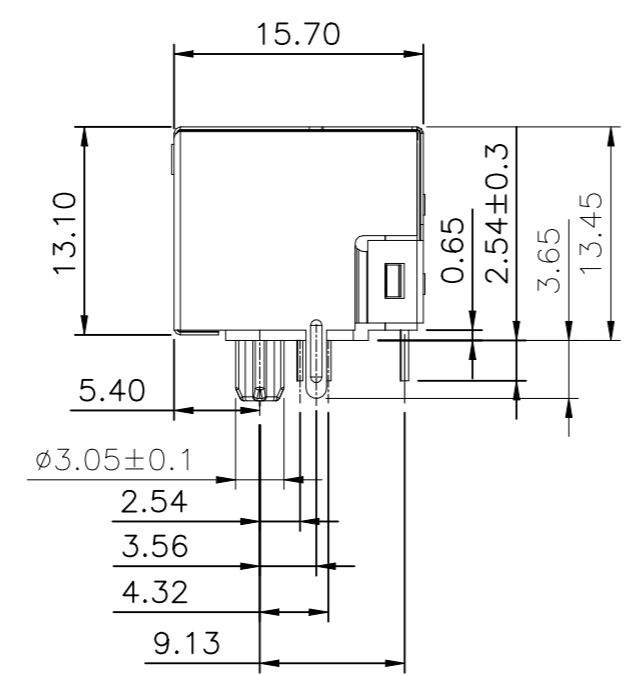
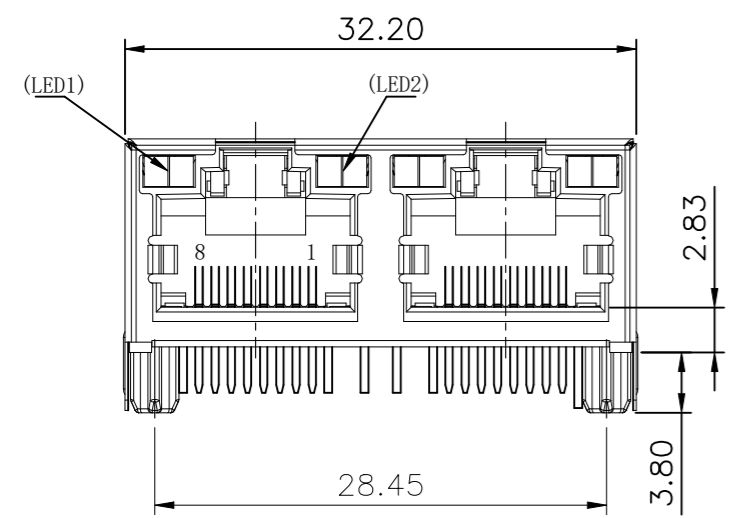
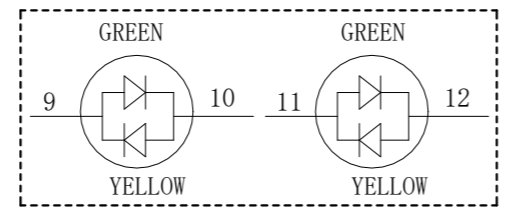
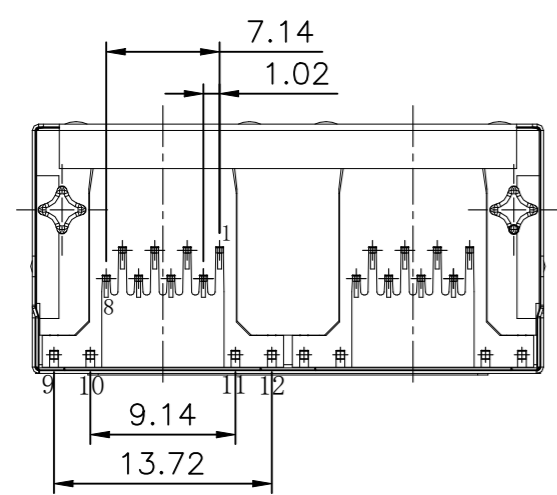


REVISIONS				
P	LTR	DESCRIPTION	DATE	APVD
	A1	NEW DRAWING	10NOV2023	ASB LET



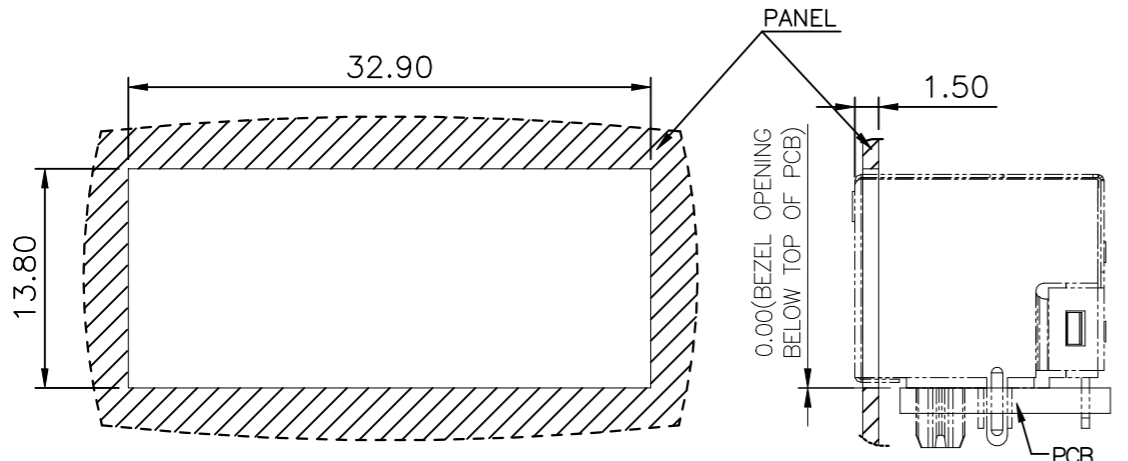
RECOMMENDED PCB LAYOUT TOP VIEW  
COMPONENT SIDE TOLERANCE±0.05 THICKNESS=3.0mm



LED PIN DEFINE

	WAVELENGTH		
	MINIMUM VALUE	AVERAGE VALUE	MAXIMUM VALUE
GREEN/YELLOW	565/585	569/588	570/590

FORWARD VOLTAGE: VF=1.8-2.4V  
FORWARD CURRENT: IF=20mA



RECOMMENDED PANEL CUTOUT

- 1 CONNECTOR MATERIAL:  
HOUSING:LCP BLACK UL94V-0  
INSERT:LCP BLACK UL94V-0.  
SHIELD:COPPER ALLOY, THICKNESS 0.2mm  
SHIELD PLATING:NICKEL  
CONTACT:PHOSPHOR BRONZE  
CONTACT PLATING:SELECTIVE GOLD 30μinch OVER NICKEL  
80μinch MIN. MATTE-TIN ON SOLDER TAIL.  
LED1:GREEN/YELLOW.  
LED2:GREEN/YELLOW.
- 2. RJ45 CAVITY DIMENSION CONFORM TO FCC PART 68.
- 3. THE PART IS RECOMMENDED FOR REFLOW SOLDERING PROCESS
- 4. PACKAGING:TRAY ACCORDING TO PACKAGING SPECIFICATION 107-18116
- 5 PROP 65 WARNING LABEL:SEE SHEET 2

THIS DRAWING IS A CONTROLLED DOCUMENT.		DWN B S ADRUSH 10NOV2023	<b>STE</b> TE Connectivity	
DIMENSIONS: mm		CHK N MANTIKOU 12NOV2023		
TOLERANCES UNLESS OTHERWISE SPECIFIED:		APVD T LEININGER 12NOV2023	NAME RJ45 JACK THT 1Gb R/A LED 1X2	
0 PLC ± - 1 PLC ± 0.35 2 PLC ± 0.25 3 PLC ± 0.15 4 PLC ± - ANGLES ± 2°		PRODUCT SPEC 108-94945	-	
MATERIAL -1		FINISH -1	APPLICATION SPEC 114-97854	RESTRICTED TO -
		WEIGHT 7.36g	SIZE A3	CAGE CODE 00779
		DRAWING NO C-2501550-7		SCALE NTS
		CUSTOMER DRAWING		SHEET 1 OF 2
				REV A1


REVISIONS

P	LTR	DESCRIPTION	DATE	DWN	APVD
-	-	SEE SHEET 1	-	-	-


NOTES: CONTINUATION FROM SHEET 1:

5 PROP 65 WARNING LABEL:

- THE WARNING LABEL ON THE PRODUCT OR LOWEST LEVEL PACKAGING
- CHEMICAL NAME: NICKEL (METALLIC)



**WARNING:** This product can expose you to chemicals including NICKEL (METALLIC) which is known to the state of California to cause cancer. For more information, visit [www.P65Warnings.ca.gov](http://www.P65Warnings.ca.gov).

THIS DRAWING IS A CONTROLLED DOCUMENT.		DWN B S ADRUSH 10NOV2023	 TE Connectivity		
DIMENSIONS: mm		CHK N MANTIKOU 12NOV2023			
TOLERANCES UNLESS OTHERWISE SPECIFIED:		APVD T LEININGER 12NOV2023	NAME RJ45 JACK THT 1Gb R/A LED 1X2		
0 PLC ± - 1 PLC ± 0.35 2 PLC ± 0.25 3 PLC ± 0.15 4 PLC ± - ANGLES ± 2°		PRODUCT SPEC 108-94945	-		
MATERIAL		APPLICATION SPEC 114-97854	SIZE A3	CAGE CODE 00779	DRAWING NO C-2501550-7
FINISH		WEIGHT 7.36g	RESTRICTED TO -		SCALE NTS
1		CUSTOMER DRAWING		SHEET 2 OF 2	REV A1