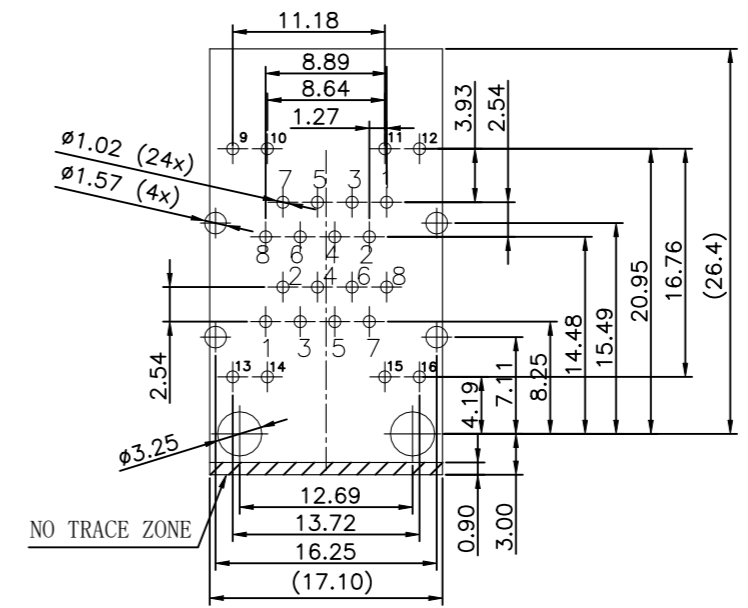
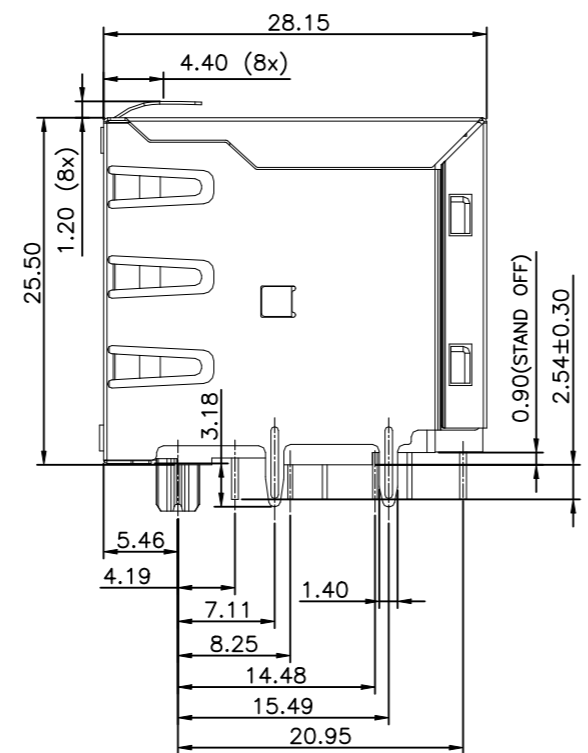
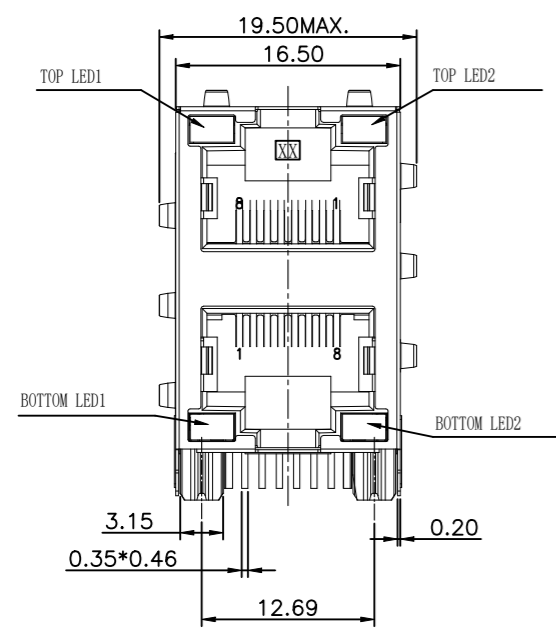
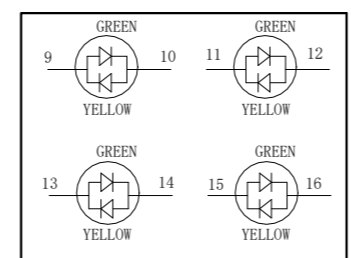
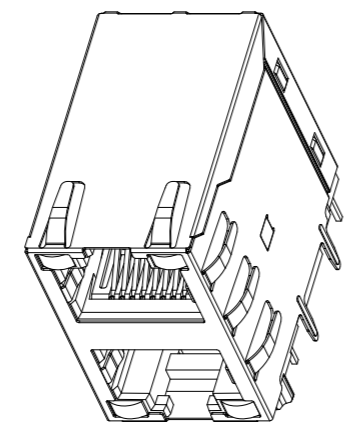
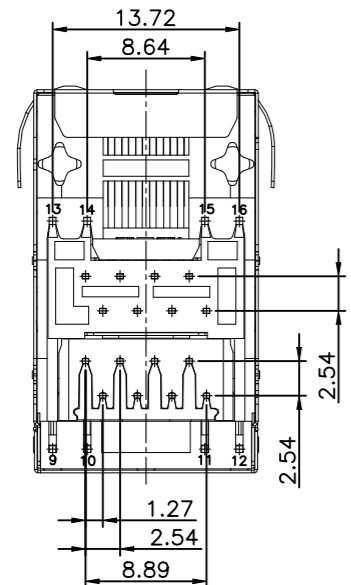


REVISIONS					
P	LTR	DESCRIPTION	DATE	DWN	APVD
	A1	NEW DRAWING	13NOV2023	ASB	LET



RECOMMENDED PCB LAYOUT TOP VIEW
COMPONENT SIDE TOLERANCE±0.05 THICKNESS=1.6mm



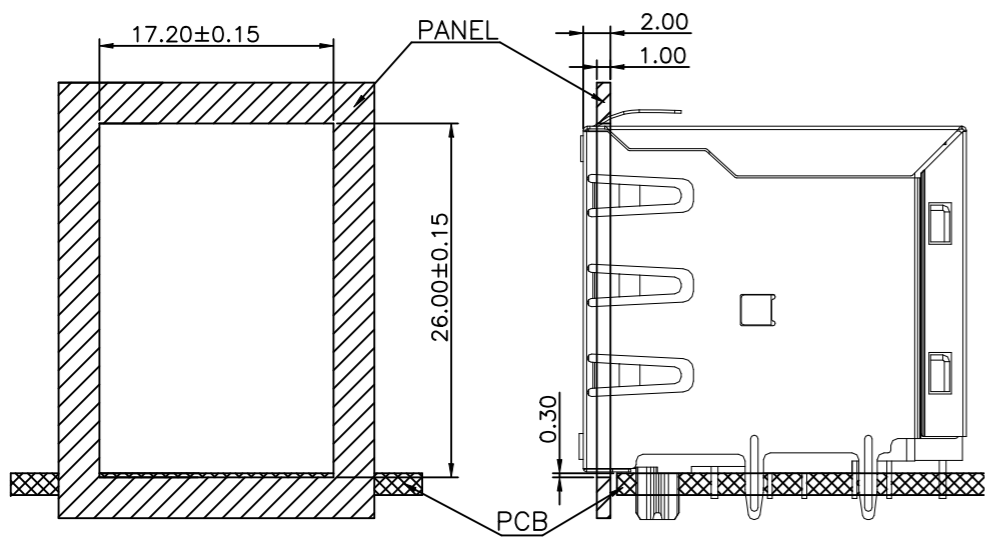
LED PIN DEFINE

LED SPECIFICATION		
LED		WAVE LENGTH (nm)
LED1	GREEN	568~573nm
	YELLOW	585~590nm
LED2	GREEN	568~573nm
	YELLOW	585~590nm

FORWARD VOLTAGE: VF=1.8-2.4V
FORWARD CURRENT: IF=20mA

- 1. CONNECTOR MATERIAL:
HOUSING: LCP BLACK UL94V-0
INSERT: PA6T BLACK UL94V-0.
SHIELD: COPPER ALLOY
SHIELD PLATING: NICKEL
CONTACT: PHOSPHOR BRONZE
CONTACT PLATING: 30μinch GOLD PLATING ON CONTACT AREA.
50μinch MIN. NICKEL UNDERPLATED OVER ALL.
80μinch MIN. MATTE-TIN ON SOLDER TAIL.

LED1: GREEN/YELLOW
LED2: GREEN/YELLOW
- 2. DURABILITY: 750 CYCLES MIN;
- 3. CONNECTOR MATING, UNMATING FORCE: 30N MAX.
- 4. PLUG RETENTION FORCE: 50N MIN, 60S±5S.
- 5. RJ45 CAVITY DIMENSION CONFORM TO FCC PART 68.
- 6. PACKAGING: TRAY ACCORDING TO PACKAGING SPECIFICATION 107-18116
- 7. PROP 65 WARNING LABEL: SEE SHEET 2



RECOMMEND PANEL CUTOUT


THIS DRAWING IS A CONTROLLED DOCUMENT.		DWN	13NOV2023	STE TE Connectivity		
		B S ADRUSH	15NOV2023			
DIMENSIONS: mm		CHK	N MANTIKOU	NAME		
TOLERANCES UNLESS OTHERWISE SPECIFIED:		APVD	T LEININGER	RJ45 JACK THT 1Gb R/A LED 2X1		
0 PLC ± -		PRODUCT SPEC		-		
1 PLC ± 0.35		108-94945		-		
2 PLC ± 0.25		APPLICATION SPEC		-		
3 PLC ± 0.15		114-97854		SIZE	CAGE CODE	DRAWING NO
4 PLC ± -		MATERIAL		RESTRICTED TO		
ANGLES ± 2°	FINISH	WEIGHT	15.072g	A3	00779	
		CUSTOMER DRAWING		SCALE	NTS	
				SHEET	1 OF 2	
				REV	A1	

REVISIONS					
P	LTR	DESCRIPTION	DATE	DWN	APVD
	-	SEE SHEET 1	-	-	-

NOTES: CONTINUATION FROM SHEET 1:

7 PROP 65 WARNING LABEL:

- THE WARNING LABEL ON THE PRODUCT OR LOWEST LEVEL PACKAGING
- CHEMICAL NAME: NICKEL (METALLIC)



WARNING: This product can expose you to chemicals including NICKEL (METALLIC) which is known to the state of California to cause cancer. For more information, visit www.P65Warnings.ca.gov.

THIS DRAWING IS A CONTROLLED DOCUMENT.		DWN B S ADRUSH 13NOV2023	STE TE Connectivity		
DIMENSIONS: mm		CHK N MANTIKOU 15NOV2023			
TOLERANCES UNLESS OTHERWISE SPECIFIED:		APVD T LEININGER 15NOV2023	NAME RJ45 JACK THT 1Gb R/A LED 2X1		
0 PLC ± -		PRODUCT SPEC 108-94945	-		
1 PLC ± 0.35		APPLICATION SPEC 114-97854	SIZE	CAGE CODE	DRAWING NO
2 PLC ± 0.25		WEIGHT 15.072g	A3	00779	C-2501551-1
3 PLC ± 0.15		CUSTOMER DRAWING	SCALE	SHEET	REV
4 PLC ± - ± 2°			NTS	2 OF 2	A1
ANGLES					
FINISH					
MATERIAL					
1					
1					