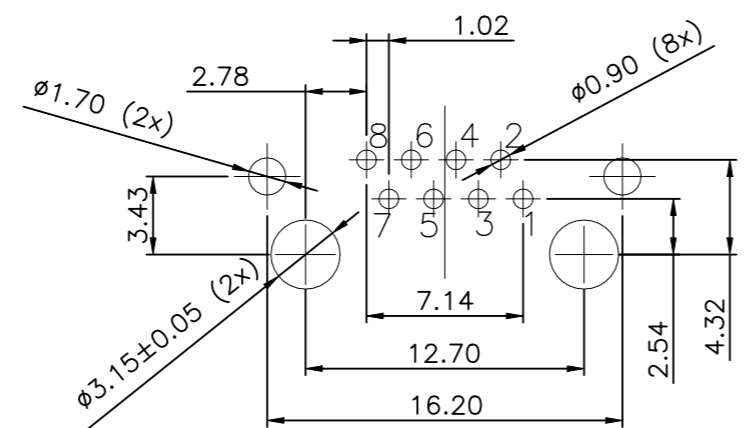
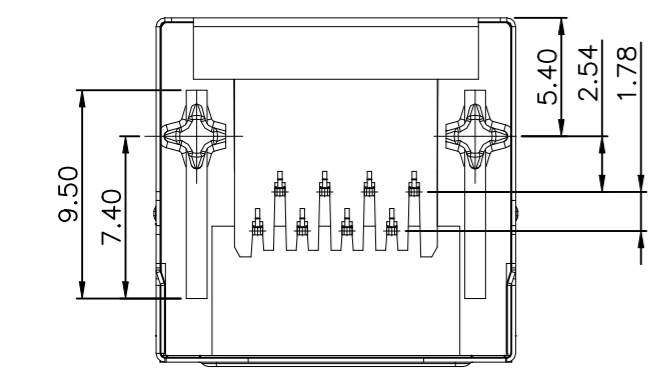
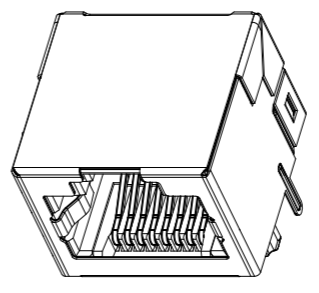
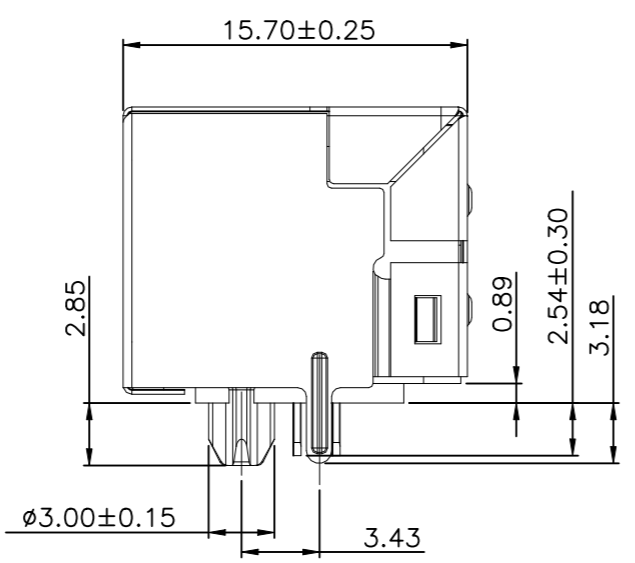
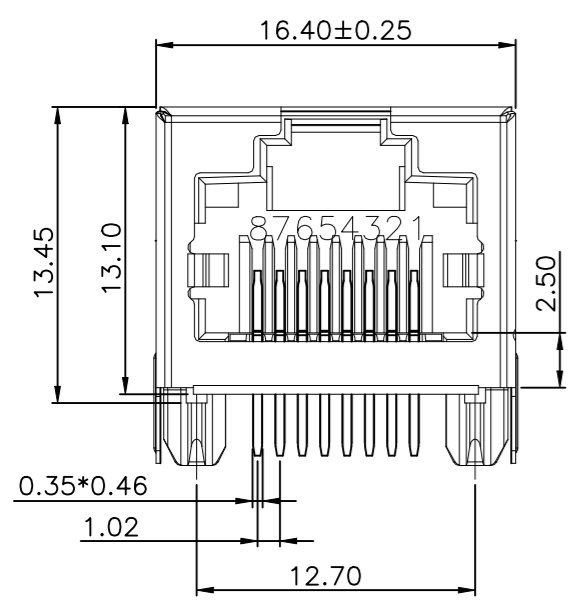
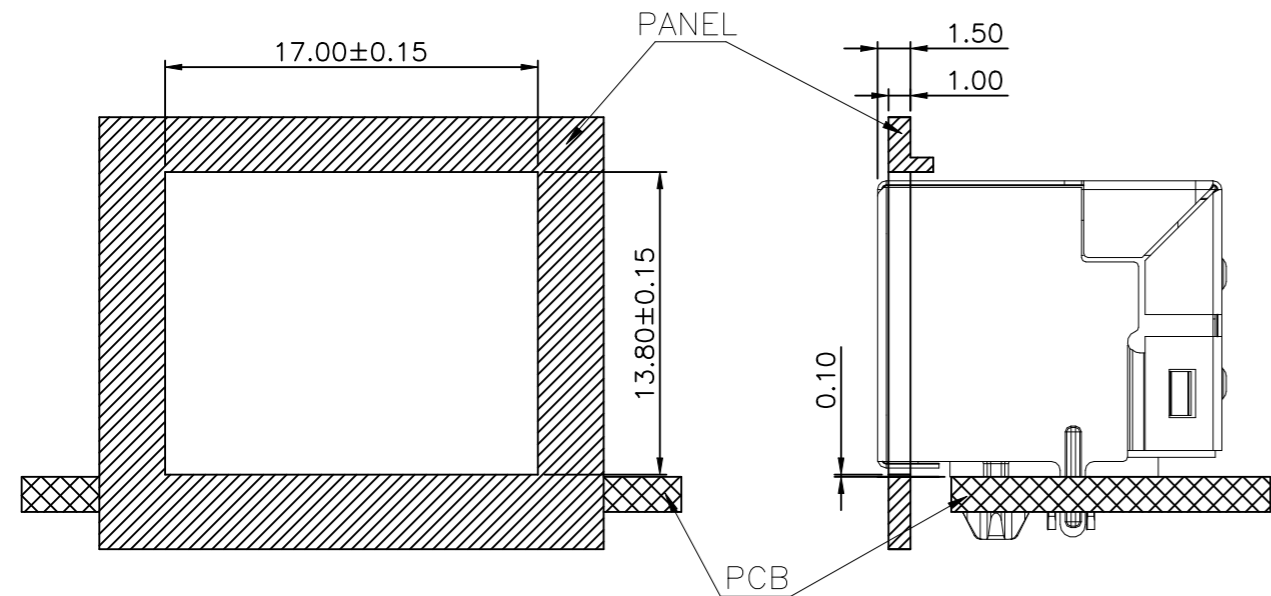


REVISIONS				
P	LTR	DESCRIPTION	DATE	APVD
	A1	NEW DRAWING	07NOV2023	ASB LET



RECOMMENDED PCB LAYOUT TOP VIEW
COMPONENT SIDE TOLERANCE ±0.05

- 1. CONNECTOR MATERIAL:
HOUSING: LCP BLACK UL94V-0
SHIELD: COPPER ALLOY, THICKNESS 0.2mm
SHIELD PLATING: NICKEL
CONTACT: PHOSPHOR BRONZE
CONTACT PLATING: SELECTIVE GOLD 30µinch OVER NICKEL
80µinch MIN. MATTE-TIN ON SOLDER TAIL.
- 2. THE PART IS RECOMMENDED FOR REFLOW SOLDERING PROCESS
- 3. RJ45 CAVITY DIMENSION CONFORM TO FCC PART 68
- 4. PACKAGING: REEL (T+R) ACCORDING TO PACKAGING SPECIFICATION 107-18116
- 5. PROP 65 WARNING LABEL: SEE SHEET 2



RECOMMENDED PANEL CUTOUT

THIS DRAWING IS A CONTROLLED DOCUMENT.		DWN B S ADRUSH 07NOV2023	TE Connectivity	
DIMENSIONS: mm		CHK N MANTIKOU 09NOV2023		
TOLERANCES UNLESS OTHERWISE SPECIFIED:		APVD T LEININGER 09NOV2023	NAME RJ45 JACK THT 10/100 R/A 1X1	
0 PLC ± - 1 PLC ± 0.35 2 PLC ± 0.25 3 PLC ± 0.15 4 PLC ± - ANGLES ± 2°		PRODUCT SPEC 108-94945	-	
MATERIAL		APPLICATION SPEC 114-97854	SIZE A3	CAGE CODE 00779
FINISH		WEIGHT 3.60g	DRAWING NO C-2501551-6	RESTRICTED TO -
CUSTOMER DRAWING			SCALE NTS	SHEET 1 OF 2
			REV A1	


REVISIONS

P	LTR	DESCRIPTION	DATE	DWN	APVD
-	-	SEE SHEET 1	-	-	-

NOTES: CONTINUATION FROM SHEET 1:

5 PROP 65 WARNING LABEL:

- THE WARNING LABEL ON THE PRODUCT OR LOWEST LEVEL PACKAGING
- CHEMICAL NAME: NICKEL (METALLIC)



WARNING: This product can expose you to chemicals including **NICKEL (METALLIC)** which is known to the state of California to cause cancer. For more information, visit www.P65Warnings.ca.gov.

THIS DRAWING IS A CONTROLLED DOCUMENT.		DWN B S ADRUSH 07NOV2023	STE TE Connectivity		
		CHK N MANTIKOU 09NOV2023			
DIMENSIONS: mm		APVD T LEININGER 09NOV2023	NAME RJ45 JACK THT 10/100 R/A 1X1		
TOLERANCES UNLESS OTHERWISE SPECIFIED:		PRODUCT SPEC 108-94945	-		
0 PLC ± -		APPLICATION SPEC 114-97854	SIZE	CAGE CODE	DRAWING NO
1 PLC ± 0.35		WEIGHT 3.60g	A3	00779	C-2501551-6
2 PLC ± 0.25		CUSTOMER DRAWING	SCALE	SHEET	REV
3 PLC ± 0.15			NTS	2 OF 2	A1
4 PLC ± -					
ANGLES ± 2°					
MATERIAL	FINISH				
1	1				