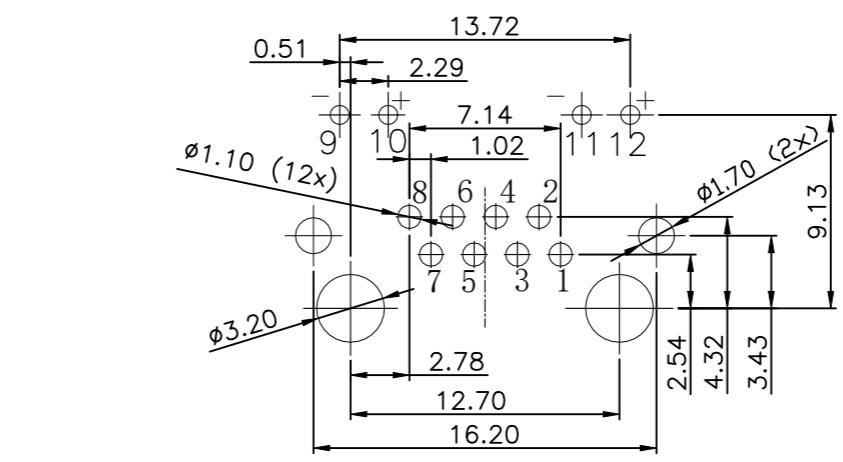
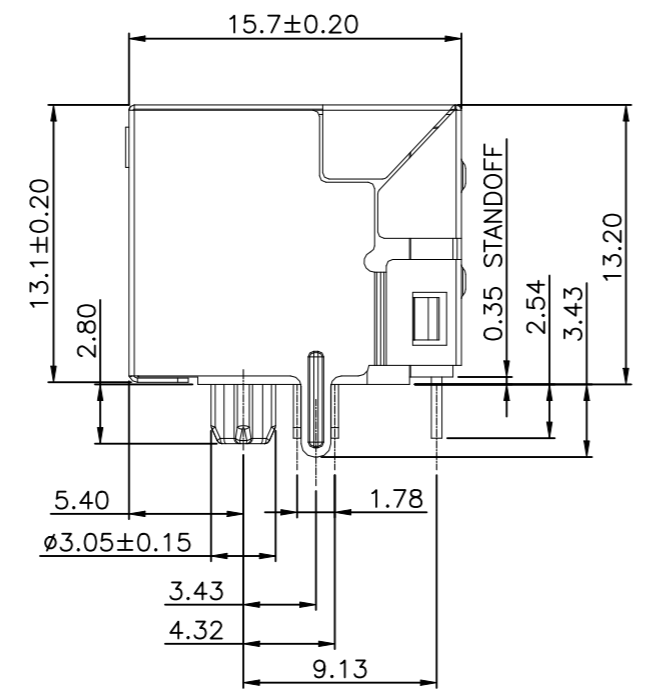
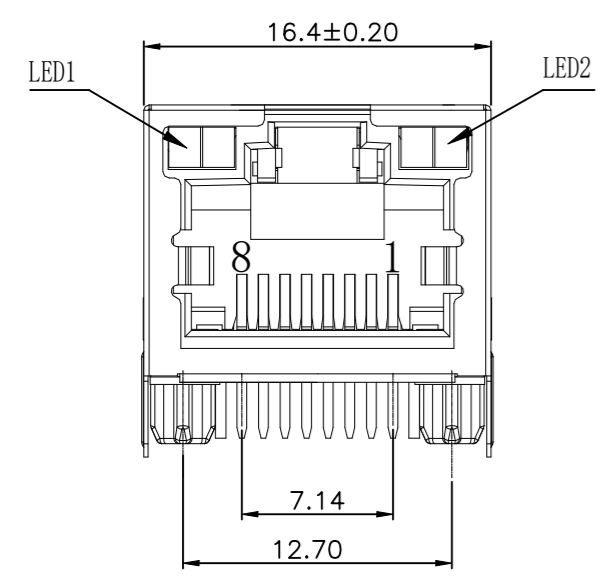
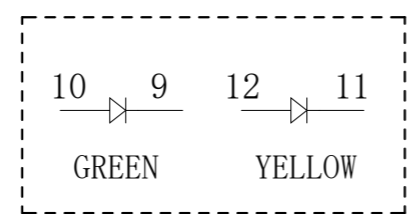
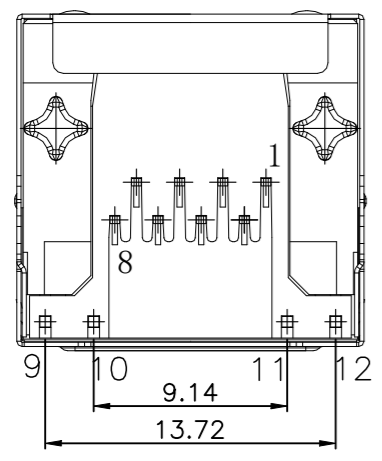


| REVISIONS | | | | |
|-----------|-----|-------------|-----------|---------|
| P | LTR | DESCRIPTION | DATE | APVD |
| | A1 | NEW DRAWING | 20NOV2023 | ASB LET |



RECOMMENDED PCB LAYOUT TOP VIEW
COMPONENT SIDE TOLERANCE±0.05 THICKNESS=3.0mm

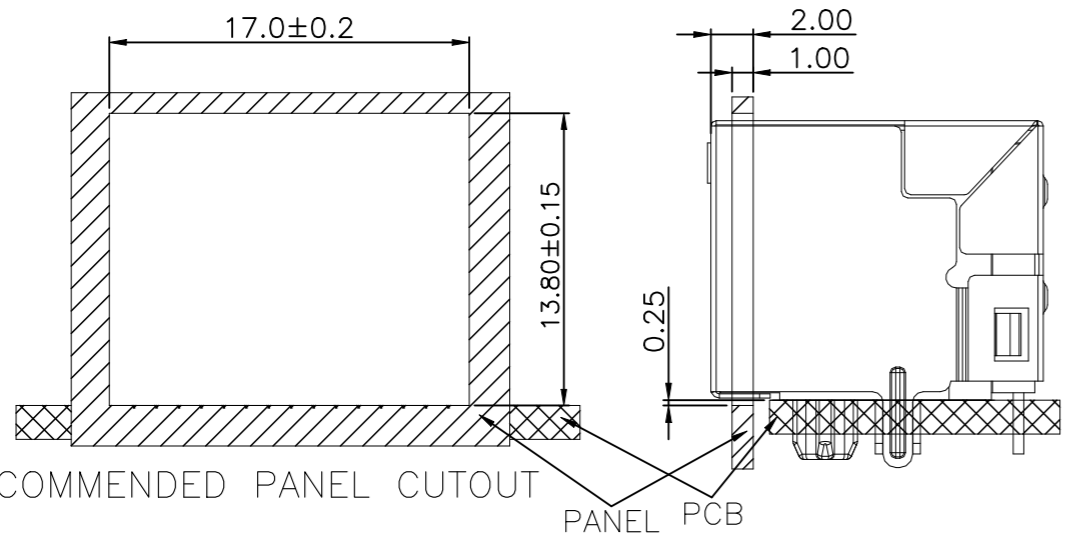


LED PIN DEFINE
 FORWARD VOLTAGE: VF=1.8-2.4V
 FORWARD CURRENT: IF=20mA

- 1. CONNECTOR MATERIAL:
 HOUSING:LCP BLACK UL94V-0
 INSERT:LCP BLACK UL94V-0.
 SHIELD:COPPER ALLOY, THICKNESS 0.20mm
 SHIELD PLATING:NICKEL
 CONTACT:PHOSPHOR BRONZE
 CONTACT PLATING:30µinch GOLD PLATING ON CONTACT AREA.
 50µinch MIN.NICKEL UNDERPLATED OVER ALL.
 80µinch MIN.MATTE-TIN ON SOLDER TAIL.

- LED1:GREEN
- LED2:YELLOW
- 2. RJ45 CAVITY DIMENSION CONFORM TO FCC PART 68.
- 3. THE PART IS RECOMMENDED FOR REFLOW SOLDERING PROCESS
- 4. PACKAGING:REEL (T+R) ACCORDING TO PACKAGING SPECIFICATION
 107-18116

5. PROP 65 WARNING LABEL:SEE SHEET 2




| | | | | |
|---|--|----------------------------------|--|---------------------------|
| THIS DRAWING IS A CONTROLLED DOCUMENT. | | DWN B S ADRUSH 20NOV2023 | TE Connectivity | |
| DIMENSIONS: mm | | CHK N MANTIKOU 22NOV2023 | | |
| TOLERANCES UNLESS OTHERWISE SPECIFIED: | | APVD T LEININGER 22NOV2023 | NAME RJ45 JACK THT 10/100 R/A LED 1X1 | |
| 0 PLC ± - 1 PLC ± 0.35 2 PLC ± 0.25 3 PLC ± 0.15 4 PLC ± - ANGLES ± 2° | | PRODUCT SPEC 108-94945 | - | |
| MATERIAL | | APPLICATION SPEC 114-97854 | SIZE A3 | RESTRICTED TO - |
| FINISH | | WEIGHT 4.22g | CAGE CODE 00779 | DRAWING NO C-2501551-8 |
| | | CUSTOMER DRAWING | | SCALE NTS |
| | | SHEET 1 OF 2 | | REV A1 |

| REVISIONS | | | | | |
|-----------|-----|-------------|------|-----|------|
| P | LTR | DESCRIPTION | DATE | DWN | APVD |
| | - | SEE SHEET 1 | - | - | - |


NOTES: CONTINUATION FROM SHEET 1:

5 PROP 65 WARNING LABEL:

- THE WARNING LABEL ON THE PRODUCT OR LOWEST LEVEL PACKAGING
- CHEMICAL NAME: NICKEL (METALLIC)



WARNING: This product can expose you to chemicals including NICKEL (METALLIC) which is known to the state of California to cause cancer. For more information, visit www.P65Warnings.ca.gov.

| | | | | | |
|--|-------------|----------------------------------|---|---------------------------|--------------------|
| THIS DRAWING IS A CONTROLLED DOCUMENT. | | DWN B S ADRUSH 20NOV2023 |  TE Connectivity | | |
| DIMENSIONS: mm | | CHK N MANTIKOU 22NOV2023 | | | |
| TOLERANCES UNLESS OTHERWISE SPECIFIED: | | APVD T LEININGER 22NOV2023 | NAME RJ45 JACK THT 10/100 R/A LED 1X1 | | |
| 0 PLC ± - | | PRODUCT SPEC 108-94945 | - | | |
| 1 PLC ± 0.35 | | APPLICATION SPEC 114-97854 | - | | |
| 2 PLC ± 0.25 | | SIZE A3 | CAGE CODE 00779 | DRAWING NO C-2501551-8 | RESTRICTED TO - |
| 3 PLC ± 0.15 | | WEIGHT 4.22g | | | |
| 4 PLC ± - | | CUSTOMER DRAWING | | | |
| ANGLES ± 2° | | SCALE NTS | SHEET 2 OF 2 | REV A1 | |
| MATERIAL 1 | FINISH 1 | | | | |