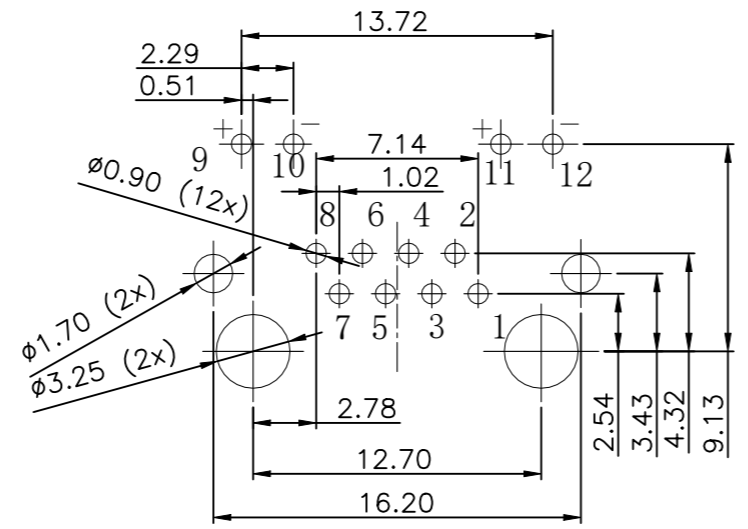
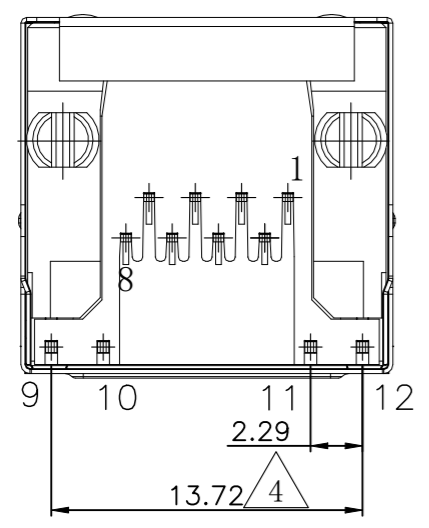
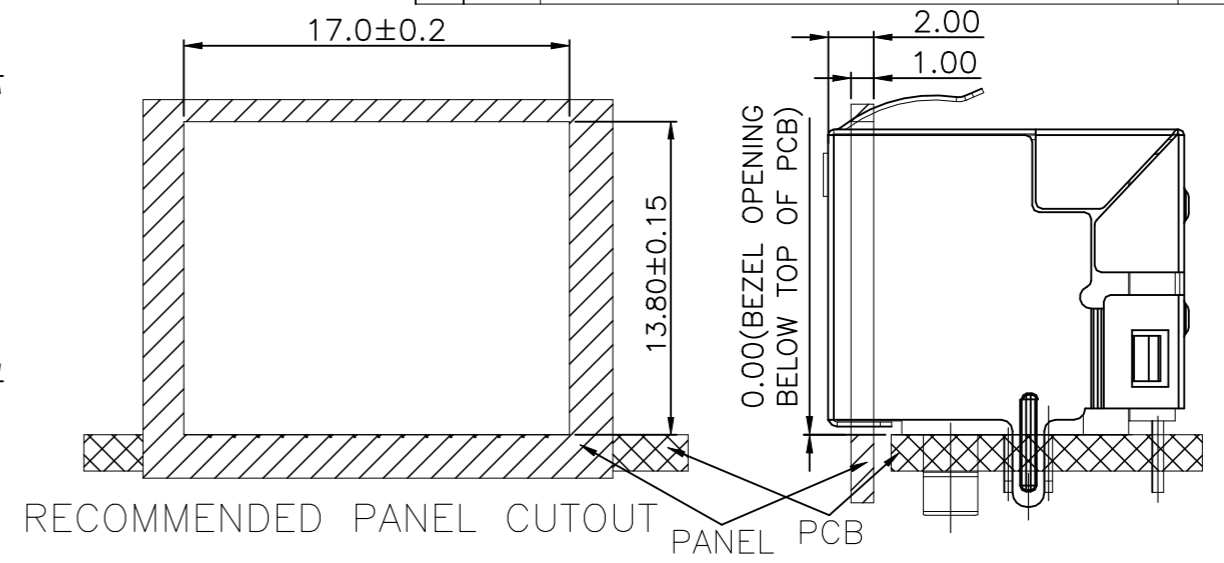
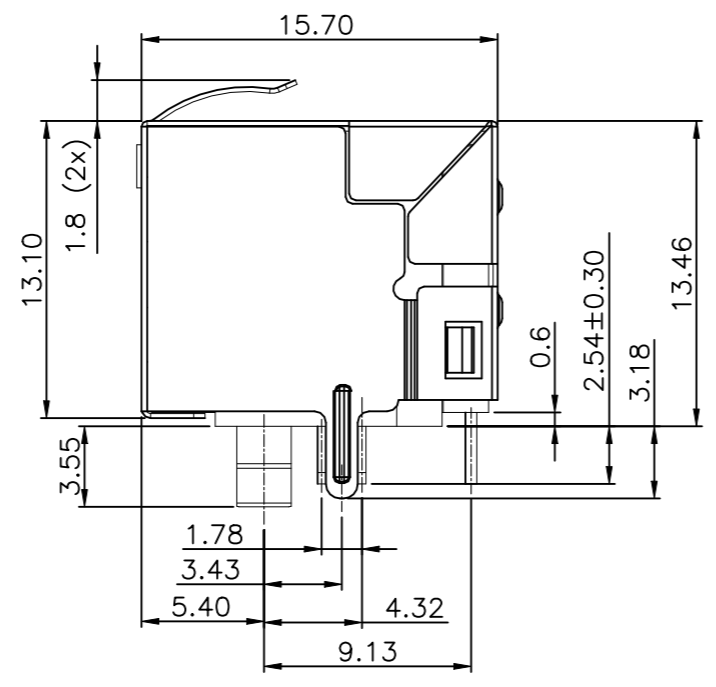
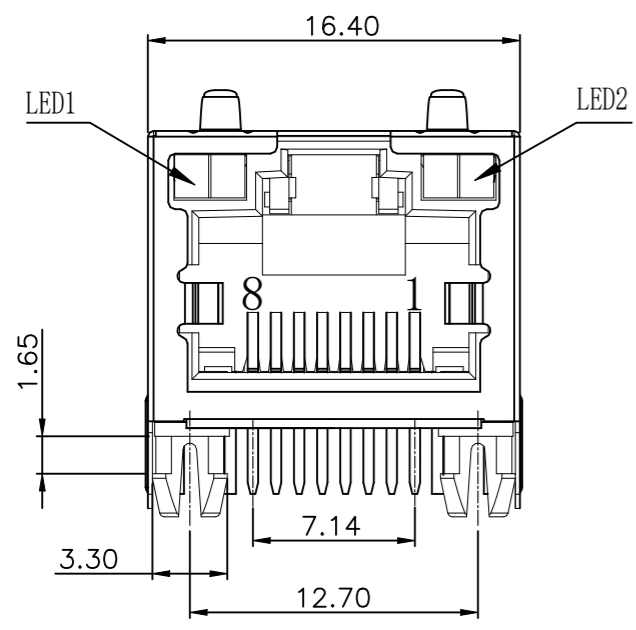
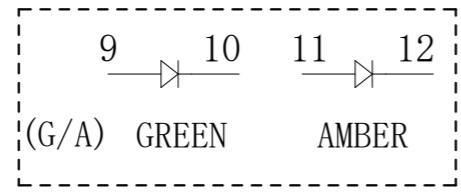


REVISIONS				
P	LTR	DESCRIPTION	DATE	APVD
	A1	NEW DRAWING	20NOV2023	ASB LET



RECOMMENDED PCB LAYOUT TOP VIEW  
COMPONENT SIDE TOLERANCE ±0.05

- 1 CONNECTOR MATERIAL:  
HOUSING: LCP BLACK UL94V-0  
INSERT: LCP BLACK UL94V-0.  
SHIELD: COPPER ALLOY, THICKNESS 0.2mm  
SHIELD PLATING: NICKEL  
CONTACT: PHOSPHOR BRONZE  
CONTACT PLATING: SELECTIVE GOLD 15µinch OVER NICKEL  
80µinch MIN. MATTE-TIN ON SOLDER TAIL.
- LED1: GREEN  
LED2: YELLOW
- 2. RJ45 CAVITY DIMENSION CONFORM TO FCC PART 68.
- 3. THE PART IS RECOMMENDED FOR REFLOW SOLDERING PROCESS
- 4. PACKAGING: REEL (T+R) ACCORDING TO PACKAGING SPECIFICATION 107-18116
- 5 PROP 65 WARNING LABEL: SEE SHEET 2



FORWARD VOLTAGE:  $V_F=1.8-2.4V$   
FORWARD CURRENT:  $I_F=20mA$


THIS DRAWING IS A CONTROLLED DOCUMENT.		DWN B S ADRUSH 20NOV2023	TE Connectivity	
DIMENSIONS: mm		CHK N MANTIKOU 22NOV2023		
TOLERANCES UNLESS OTHERWISE SPECIFIED:		APVD T LEININGER 22NOV2023	NAME RJ45 JACK THT 10/100 R/A LED 1X1	
0 PLC ± - 1 PLC ± 0.35 2 PLC ± 0.25 3 PLC ± 0.15 4 PLC ± - ANGLES ± 2°		PRODUCT SPEC 108-94945	-	
MATERIAL		APPLICATION SPEC 114-97854	SIZE A3	CAGE CODE 00779
FINISH		WEIGHT 3.85g	DRAWING NO C-2501551-9	RESTRICTED TO -
CUSTOMER DRAWING			SCALE NTS	SHEET 1 OF 2
			REV A1	

REVISIONS					
P	LTR	DESCRIPTION	DATE	DWN	APVD
	-	SEE SHEET 1	-	-	-


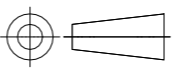
NOTES: CONTINUATION FROM SHEET 1:

5 PROP 65 WARNING LABEL:

- THE WARNING LABEL ON THE PRODUCT OR LOWEST LEVEL PACKAGING
- CHEMICAL NAME: NICKEL (METALLIC)



**WARNING:** This product can expose you to chemicals including NICKEL (METALLIC) which is known to the state of California to cause cancer. For more information, visit [www.P65Warnings.ca.gov](http://www.P65Warnings.ca.gov).

THIS DRAWING IS A CONTROLLED DOCUMENT.		DWN B S ADRUSH 20NOV2023	 TE Connectivity		
		CHK N MANTIKOU 22NOV2023			
DIMENSIONS: mm		APVD T LEININGER 22NOV2023	NAME RJ45 JACK THT 10/100 R/A LED 1X1		
		PRODUCT SPEC 108-94945	RESTRICTED TO -		
		TOLERANCES UNLESS OTHERWISE SPECIFIED: 0 PLC ± - 1 PLC ± 0.35 2 PLC ± 0.25 3 PLC ± 0.15 4 PLC ± - ANGLES ± 2°	APPLICATION SPEC 114-97854	SIZE A3	CAGE CODE 00779
MATERIAL 1	FINISH 1	WEIGHT 3.85g	SCALE NTS		
CUSTOMER DRAWING			SHEET 2 OF 2	REV A1	