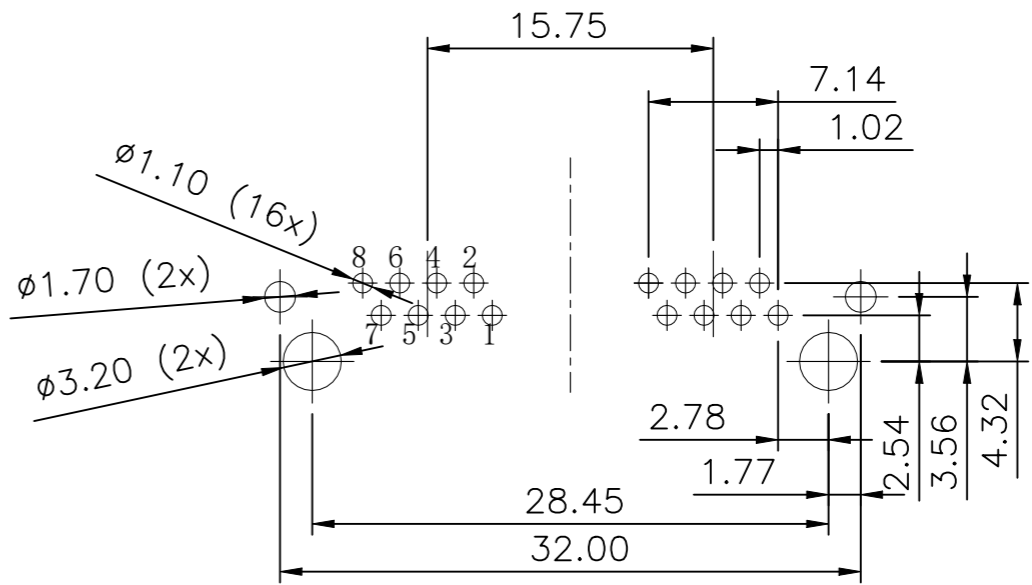
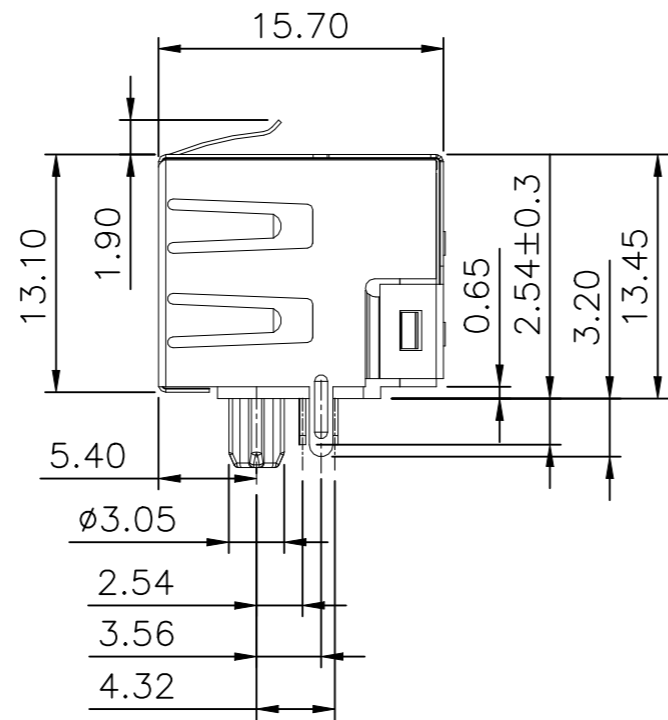
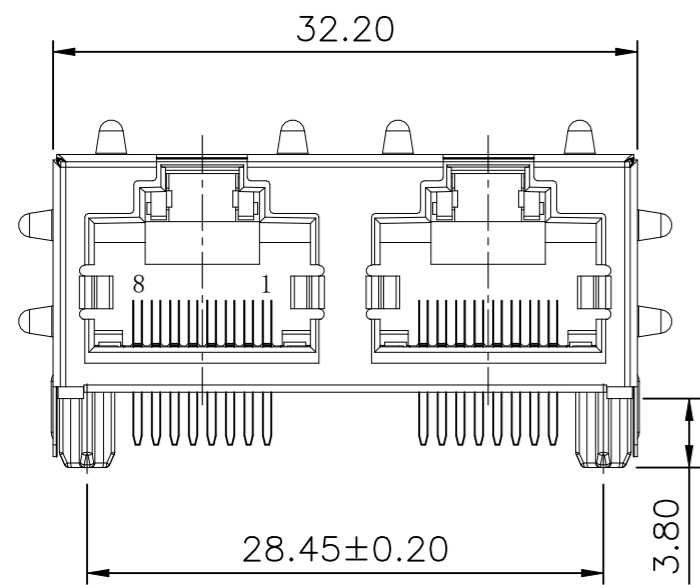
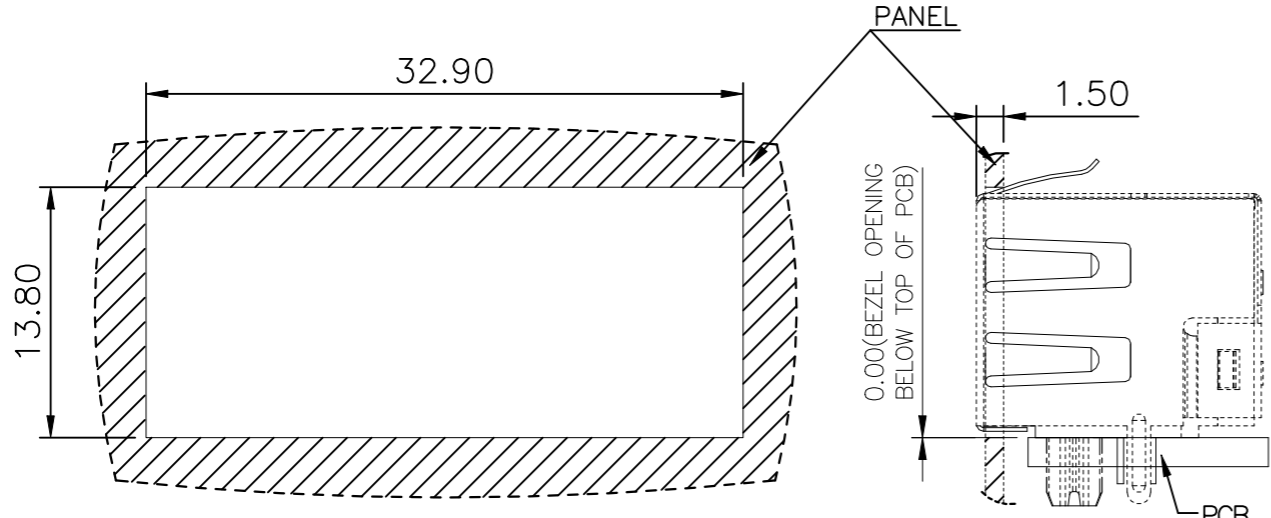
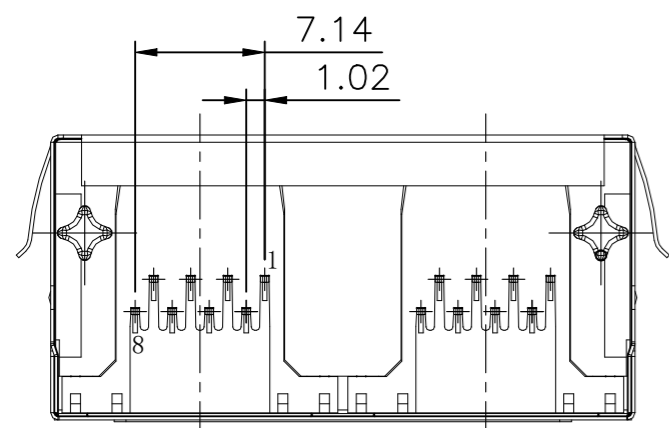


REVISIONS					
P	LTR	DESCRIPTION	DATE	DWN	APVD
	A1	NEW DRAWING	10NOV2023	ASB	LET



RECOMMENDED PCB LAYOUT TOP VIEW
COMPONENT SIDE TOLERANCE±0.05 THICKNESS=3.0mm



RECOMMENDED PANEL CUTOUT

- 1 CONNECTOR MATERIAL:
HOUSING:LCP BLACK UL94V-0
INSERT:LCP BLACK UL94V-0.
SHIELD:COPPER ALLOY, THICKNESS 0.2mm
SHIELD PLATING:NICKEL
CONTACT:PHOSPHOR BRONZE
CONTACT PLATING:30µinch GOLD PLATING ON CONTACT AREA.
50µinch MIN.NICKEL UNDERPLATED OVER ALL.
80µinch MIN.MATTE-TIN ON SOLDER TAIL.
- 2.RJ45 CAVITY DIMENSION CONFORM TO FCC PART 68.
- 3.THE PART IS RECOMMENDED FOR REFLOW SOLDERING PROCESS
- 4.PACKAGING:TRAY ACCORDING TO PACKAGING SPECIFICATION
107-18116
- 5 PROP 65 WARNING LABEL:SEE SHEET 2


THIS DRAWING IS A CONTROLLED DOCUMENT.		DWN B S ADRUSH 10NOV2023	TE Connectivity		
DIMENSIONS: mm		CHK N MANTIKOU 12NOV2023			
TOLERANCES UNLESS OTHERWISE SPECIFIED:		APVD T LEININGER 12NOV2023	NAME RJ45 JACK THT 10/100 R/A 1X2		
0 PLC ± - 1 PLC ± 0.35 2 PLC ± 0.25 3 PLC ± 0.15 4 PLC ± - ANGLES ± 2°		PRODUCT SPEC 108-94945	RESTRICTED TO		
MATERIAL		APPLICATION SPEC 114-97854	SIZE A3	CAGE CODE 00779	DRAWING NO C-2501552-1
FINISH		WEIGHT 7.08g	SCALE NTS		
		CUSTOMER DRAWING		SHEET 1 OF 2	REV A1

REVISIONS					
P	LTR	DESCRIPTION	DATE	DWN	APVD
	-	SEE SHEET 1	-	-	-

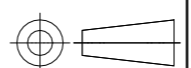
NOTES: CONTINUATION FROM SHEET 1:

5 PROP 65 WARNING LABEL:

- THE WARNING LABEL ON THE PRODUCT OR LOWEST LEVEL PACKAGING
- CHEMICAL NAME: NICKEL (METALLIC)



WARNING: This product can expose you to chemicals including NICKEL (METALLIC) which is known to the state of California to cause cancer. For more information, visit www.P65Warnings.ca.gov.

THIS DRAWING IS A CONTROLLED DOCUMENT.		DWN B S ADRUSH 10NOV2023	STE TE Connectivity			
		CHK N MANTIKOU 12NOV2023				
DIMENSIONS: mm		APVD T LEININGER 12NOV2023	NAME RJ45 JACK THT 10/100 R/A 1X2			
		PRODUCT SPEC 108-94945	-			
		APPLICATION SPEC 114-97854	-			
MATERIAL	FINISH	WEIGHT 7.08g	SIZE A3	CAGE CODE 00779	DRAWING NO C-2501552-1	RESTRICTED TO -
1		CUSTOMER DRAWING		SCALE NTS	SHEET 2 OF 2	REV A1