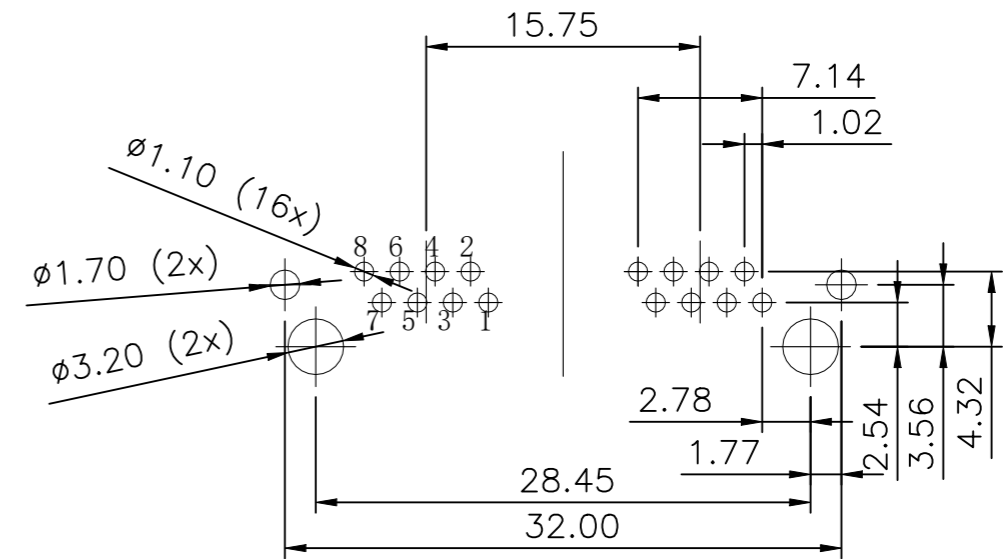
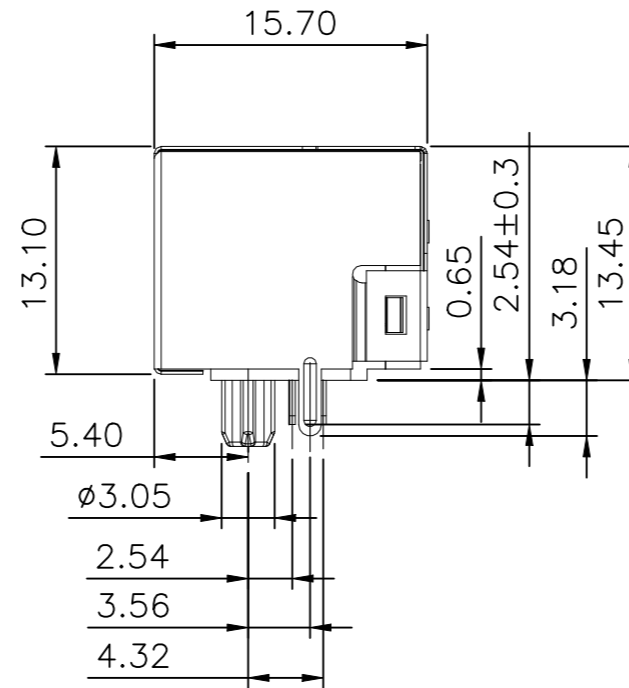
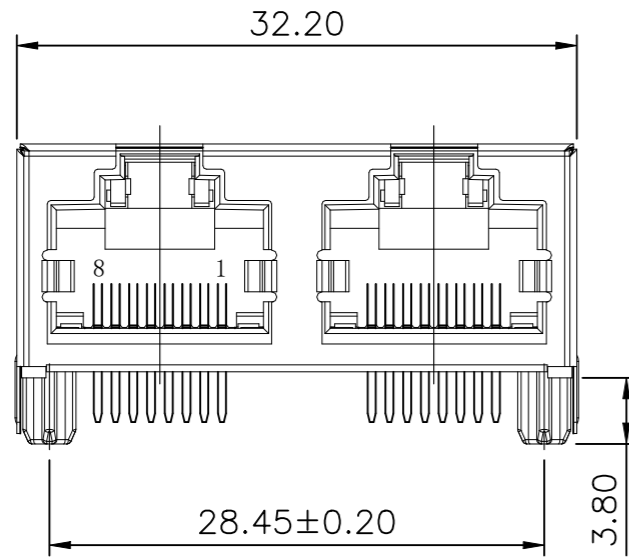
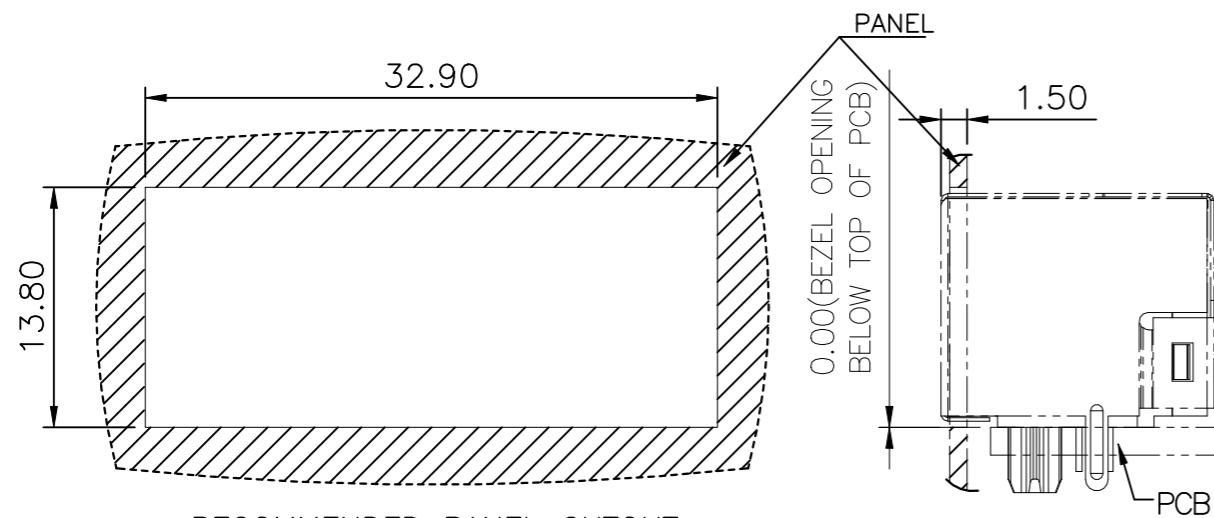
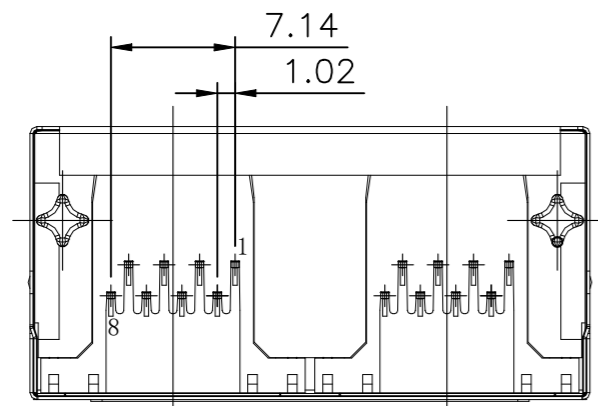


| P | LTR | DESCRIPTION | DATE | DWN | APVD |
|---|-----|-------------|-----------|-----|------|
| | A1 | NEW DRAWING | 18NOV2023 | NK | LET |



RECOMMENDED PCB LAYOUT TOP VIEW
COMPONENT SIDE TOLERANCE±0.05 THICKNESS=3.0mm



RECOMMENDED PANEL CUTOUT

- 1 CONNECTOR MATERIAL:
HOUSING:LCP BLACK UL94V-0.
INSERT:LCP BLACK UL94V-0.
SHIELDING:COPPER ALLOY, THICKNESS 0.20mm
SHIELD PLATING:NICKEL
CONTACT:PHOSPHOR BRONZE
CONTACT PLATING:30μinch GOLD PLATING ON CONTACT AREA.
50μinch MIN.NICKEL UNDERPLATED OVER ALL.
80μinch MIN.MATTE-TIN ON SOLDER TAIL.
- 2.RJ45 CAVITY DIMENSION CONFORM TO FCC PART 68.
- 3. APPLICABLE TO PIP PROCESS
- 4. PACKAGING:TRAY ACCORDING TO PACKAGING SPECIFICATION
107-18116
- 5 PROP 65 WARNING LABEL:SEE SHEET 2


| | | | | |
|---|--|----------------------------------|--------------------------------------|--------------------|
| THIS DRAWING IS A CONTROLLED DOCUMENT. | | DWN N K NIKHIL 18NOV2023 | TE Connectivity Ltd. | |
| DIMENSIONS: mm | | CHK N MANTIKOU 20NOV2023 | | |
| TOLERANCES UNLESS OTHERWISE SPECIFIED: | | APVD T LEININGER 20NOV2023 | NAME RJ45 JACK THT 10/100 R/A 1X2 | |
| 0 PLC ± - 1 PLC ± 0.35 2 PLC ± 0.25 3 PLC ± 0.15 4 PLC ± - ANGLES ± 2° | | PRODUCT SPEC 108-94945 | - | |
| MATERIAL 1 | | FINISH 1 | APPLICATION SPEC 114-97854 | RESTRICTED TO - |
| | | WEIGHT 7.08g | SIZE A3 | CAGE CODE 00779 |
| | | DRAWING NO C-2501552-2 | | RESTRICTED TO - |
| CUSTOMER DRAWING | | SCALE NTS | SHEET 1 OF 2 | REV A1 |

| REVISIONS | | | | | |
|-----------|-----|-------------|------|-----|------|
| P | LTR | DESCRIPTION | DATE | DWN | APVD |
| | - | SEE SHEET 1 | - | - | - |

NOTES: CONTINUATION FROM SHEET 1:

5 PROP 65 WARNING LABEL:

- THE WARNING LABEL ON THE PRODUCT OR LOWEST LEVEL PACKAGING
- CHEMICAL NAME: NICKEL (METALLIC)



WARNING: This product can expose you to chemicals including NICKEL (METALLIC) which is known to the state of California to cause cancer. For more information, visit www.P65Warnings.ca.gov.

| | | | | | |
|--|--|----------------------------------|--------------------------------------|--------------------|---------------------------|
| THIS DRAWING IS A CONTROLLED DOCUMENT. | | DWN N K NIKHIL 18NOV2023 | STE TE Connectivity Ltd. | | |
| DIMENSIONS: mm | | CHK N MANTIKOU 20NOV2023 | | | |
| TOLERANCES UNLESS OTHERWISE SPECIFIED: | | APVD T LEININGER 20NOV2023 | NAME RJ45 JACK THT 10/100 R/A 1X2 | | |
| 0 PLC ± - | | PRODUCT SPEC 108-94945 | - | | |
| 1 PLC ± 0.35 | | APPLICATION SPEC 114-97854 | - | | |
| 2 PLC ± 0.25 | | WEIGHT 7.08g | SIZE A3 | CAGE CODE 00779 | DRAWING NO C-2501552-2 |
| 3 PLC ± 0.15 | | MATERIAL 1 | RESTRICTED TO | | - |
| 4 PLC ± - | | | SCALE NTS | | |
| ANGLES ± 2° | | FINISH 1 | | SHEET 2 OF 2 | REV A1 |
| CUSTOMER DRAWING | | | | | |