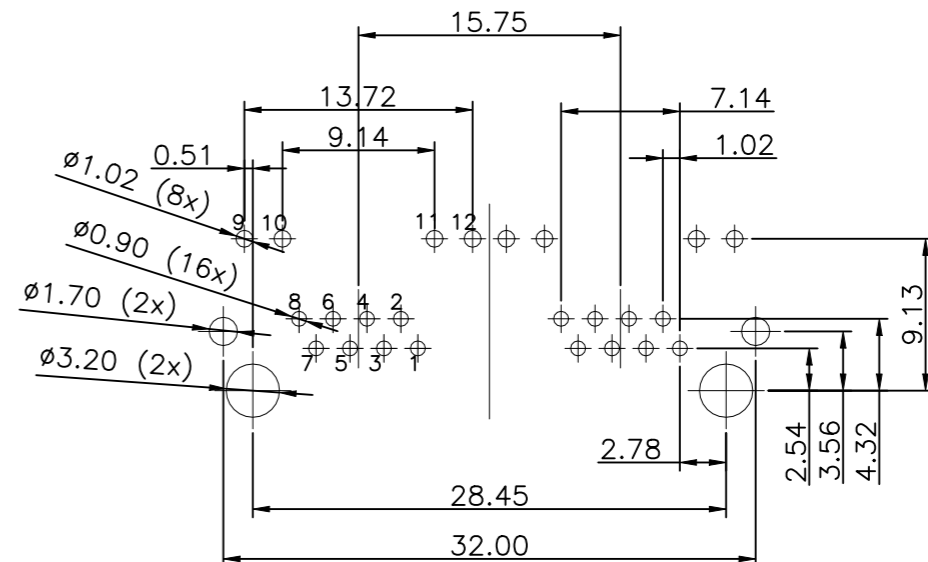
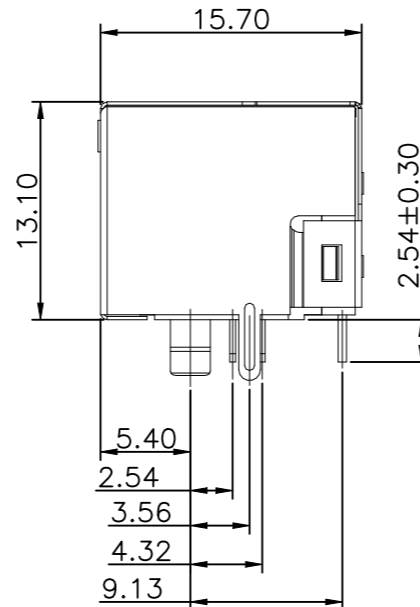
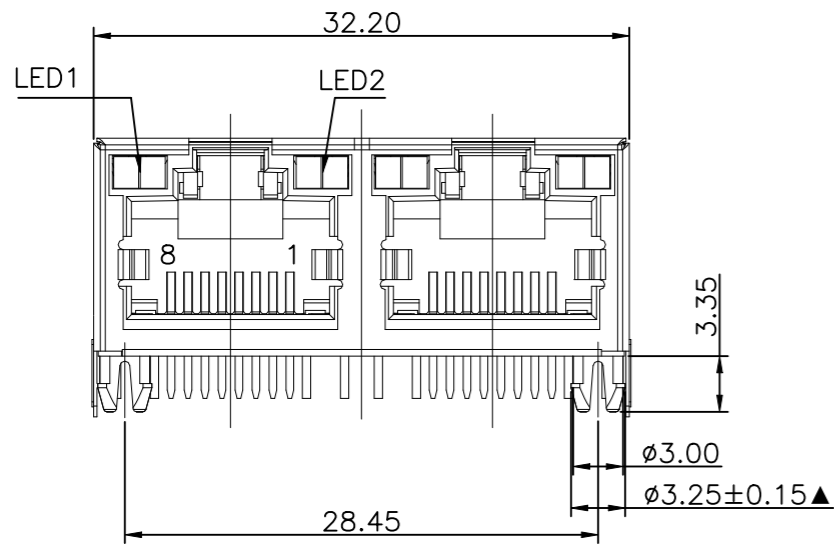
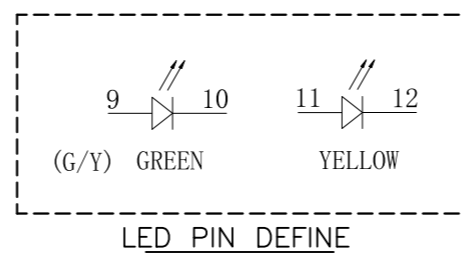
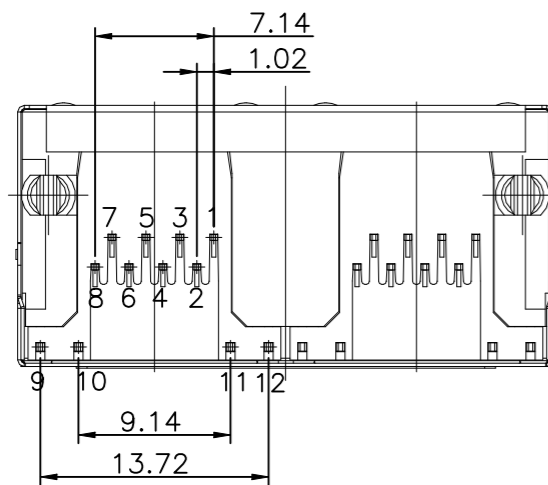


REVISIONS					
P	LTR	DESCRIPTION	DATE	DWN	APVD
	A1	NEW DRAWING	18NOV2023	NK	LET

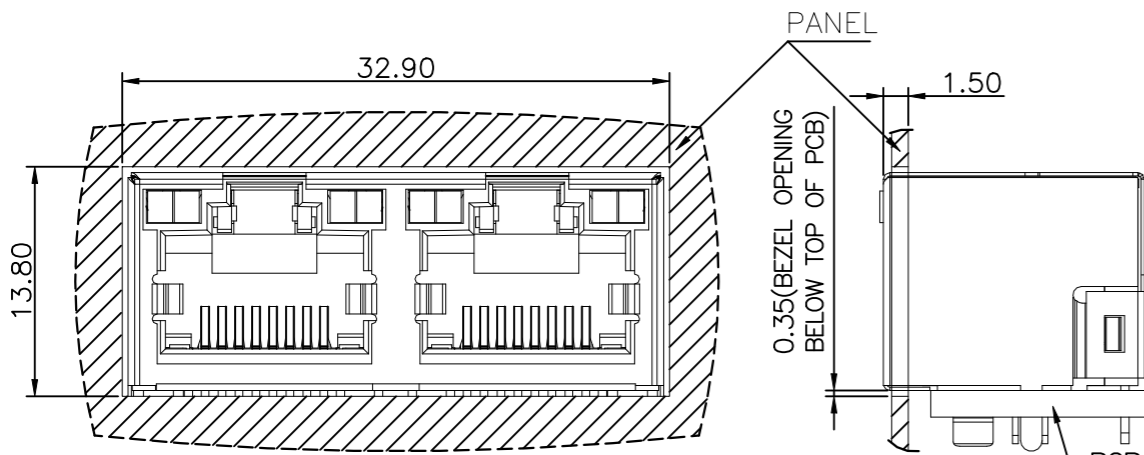


RECOMMENDED PCB LAYOUT TOP VIEW
COMPONENT SIDE TOLERANCE ±0.05



FORWARD VOLTAGE: $V_F=1.8-2.4V$
FORWARD CURRENT: $I_F=20mA$

- 1 CONNECTOR MATERIAL:
HOUSING: PA46 BLACK UL94V-0.
INSERT: PBT BLACK UL94V-0.
SHIELD: COPPER ALLOY, THICKNESS 0.20mm
SHIELD PLATING: NICKEL
CONTACT: PHOSPHOR BRONZE.
CONTACT PLATING: 30μinch GOLD PLATING ON CONTACT AREA.
50μinch MIN. NICKEL UNDERPLATED OVER ALL.
80μinch MIN. MATTE-TIN ON SOLDER TAIL.
- LED1: GREEN.
LED2: YELLOW.
- 2. RJ45 CAVITY DIMENSION CONFORM TO FCC PART 68
- 3. PACKAGING: TRAY ACCORDING TO PACKAGING SPECIFICATION 107-18116



RECOMMENDED PANEL CUTOUT

THIS DRAWING IS A CONTROLLED DOCUMENT.		DWN N K NIKHIL 18NOV2023	TE Connectivity Ltd.		
DIMENSIONS: mm		CHK N MANTIKOU 20NOV2023			
TOLERANCES UNLESS OTHERWISE SPECIFIED:		APVD T LEININGER 20NOV2023	PRODUCT SPEC 108-94945		
0 PLC ± - 1 PLC ± 0.35 2 PLC ± 0.25 3 PLC ± 0.15 4 PLC ± - ANGLES ± 2°		APPLICATION SPEC 114-97854		SIZE A3	CAGE CODE 00779
MATERIAL		WEIGHT 7.18g		DRAWING NO C-2501552-3	
FINISH		CUSTOMER DRAWING		RESTRICTED TO	SCALE NTS
				SHEET 1 OF 2	REV A1

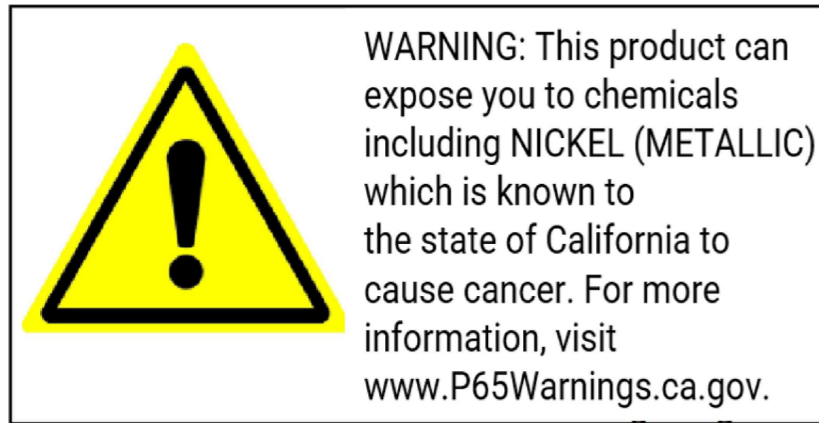
REVISIONS


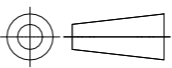
P	LTR	DESCRIPTION	DATE	DWN	APVD
	-	SEE SHEET 1	-	-	-

NOTES: CONTINUATION FROM SHEET 1:

4 PROP 65 WARNING LABEL:

- THE WARNING LABEL ON THE PRODUCT OR LOWEST LEVEL PACKAGING
- CHEMICAL NAME: NICKEL (METALLIC)



THIS DRAWING IS A CONTROLLED DOCUMENT.		DWN N K NIKHIL 18NOV2023	 TE Connectivity Ltd.		
DIMENSIONS: mm		CHK N MANTIKOU 20NOV2023			
		APVD T LEININGER 20NOV2023	NAME RJ45 JACK THT 10/100 R/A LED 1X2		
TOLERANCES UNLESS OTHERWISE SPECIFIED:		PRODUCT SPEC 108-94945	-		
0 PLC ± - 1 PLC ± 0.35 2 PLC ± 0.25 3 PLC ± 0.15 4 PLC ± - ANGLES ± 2°		APPLICATION SPEC 114-97854	SIZE A3	CAGE CODE 00779	DRAWING NO C-2501552-3
MATERIAL 1	FINISH 1	WEIGHT 7.18g	RESTRICTED TO -		
CUSTOMER DRAWING			SCALE NTS	SHEET 2 OF 2	REV A1