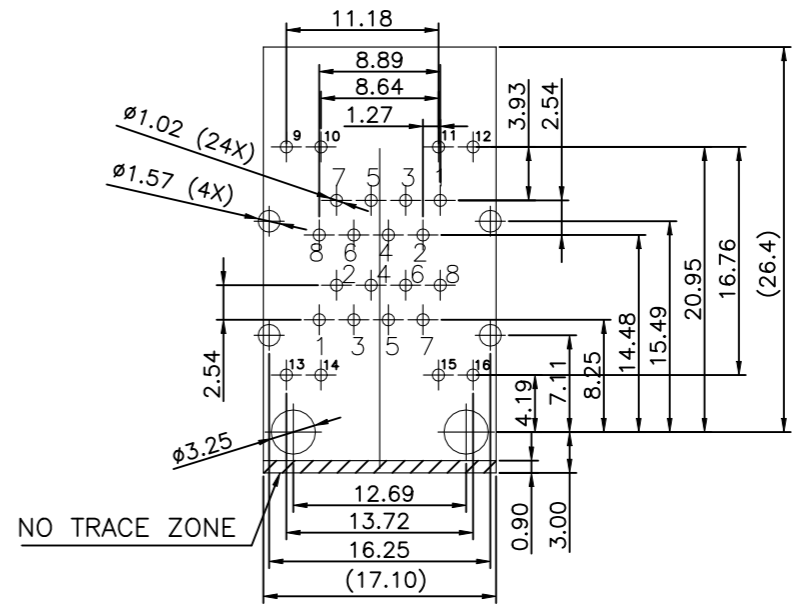
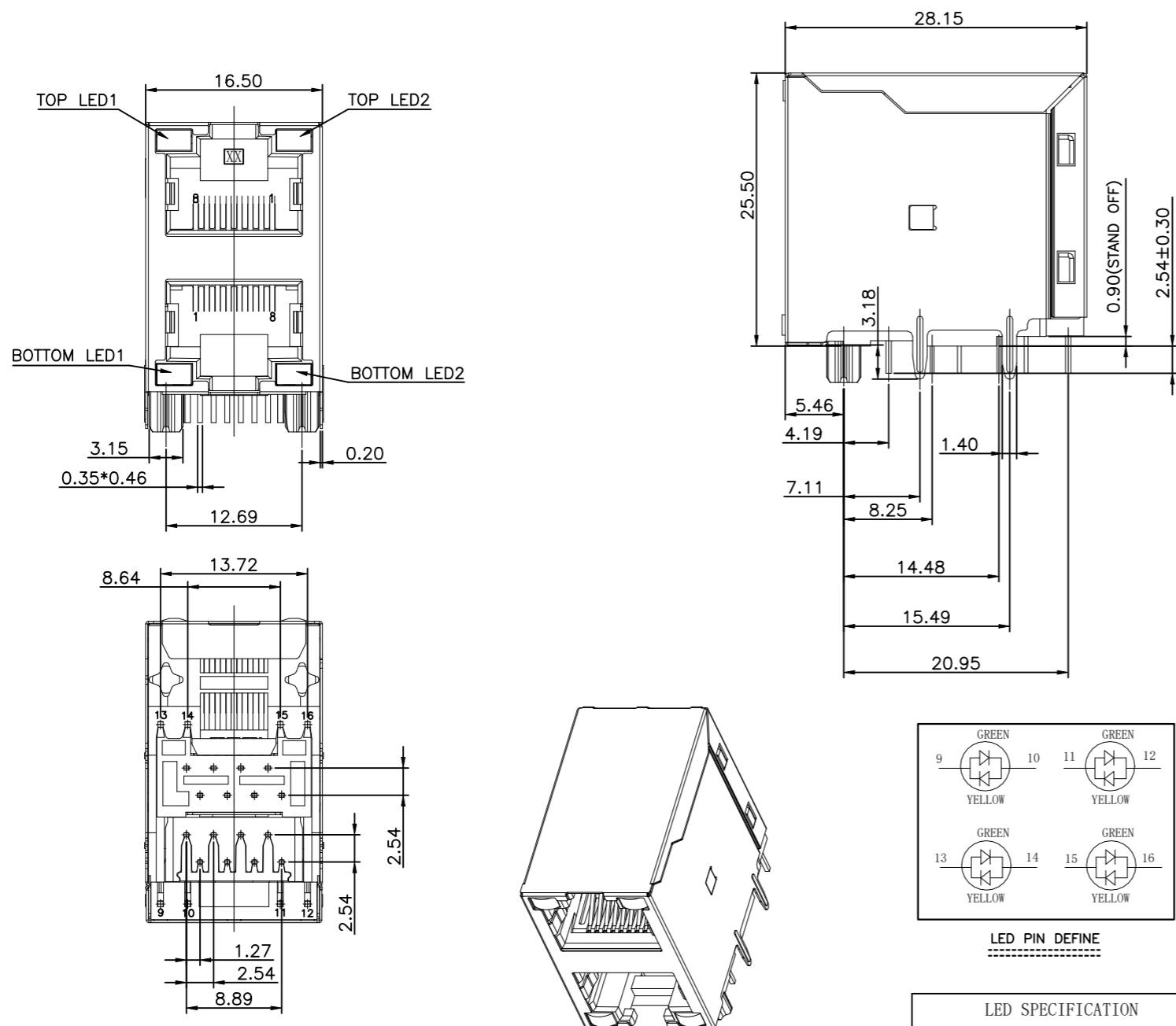
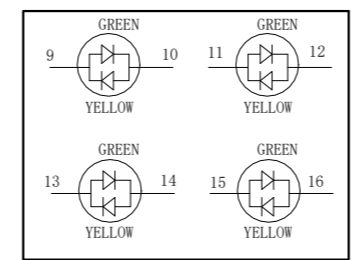


P	LTR	DESCRIPTION	DATE	DWN	APVD
	A1	NEW DRAWING	18NOV2023	NK	LET



RECOMMENDED PCB LAYOUT TOP VIEW
COMPONENT SIDE TOLERANCE±0.05 THICKNESS=1.6mm

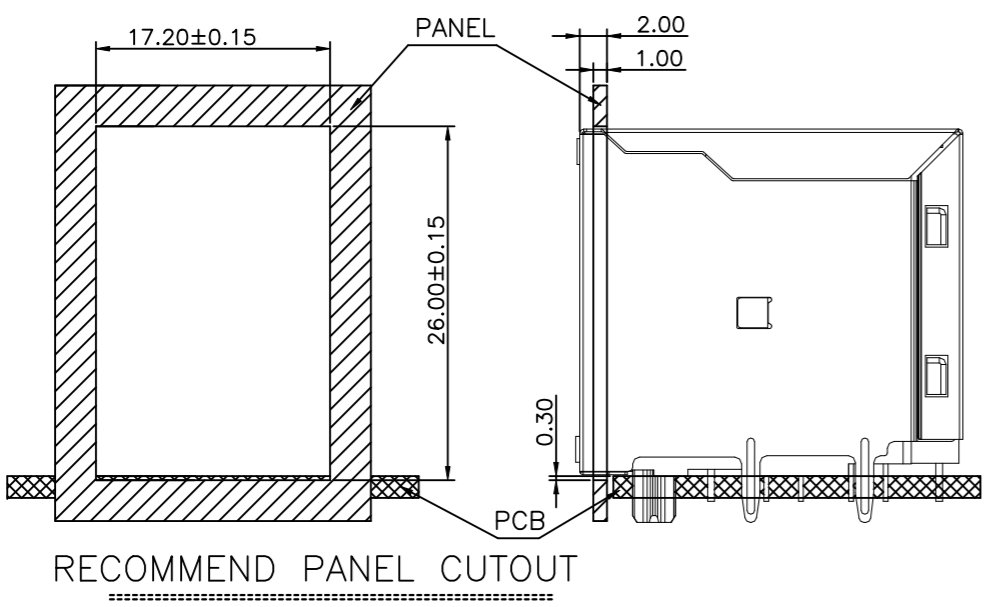
- 1 CONNECTOR MATERIAL:
 HOUSING:LCP BLACK UL94V-0.
 INSERT:PA6T BLACK UL94V-0.
 SHIELD:COPPER ALLOY
 SHIELD PLATING:NICKEL
 CONTACT:PHOSPHOR BRONZE.
 CONTACT PLATING:30μinch GOLD PLATING ON CONTACT AREA.
 50μinch MIN.NICKEL UNDERPLATED OVER ALL.
 80μinch MIN.MATTE-TIN ON SOLDER TAIL.



LED SPECIFICATION		
LED		WAVE LENGTH(nm)
LED1	GREEN	568~573nm
	YELLOW	585~590nm
LED2	GREEN	568~573nm
	YELLOW	585~590nm

FORWARD VOLTAGE: VF=1.8-2.4V
 FORWARD CURRENT: IF=20mA

- LED1:GREEN/YELLOW
 LED2:GREEN/YELLOW
2. DURABILITY: 750 CYCLES MIN;
 3. CONNECTOR MATING, UNMATING FORCE: 30N MAX.
 4. PLUG RETENTION FORCE: 50N MIN, 60s±5s.
 5. RJ45 CAVITY DIMENSION CONFORM TO FCC PART 68
 6. PACKAGING:TRAY ACCORDING TO PACKAGING SPECIFICATION
 107-18116
- 7 PROP 65 WARNING LABLE:SEE SHEET 2




THIS DRAWING IS A CONTROLLED DOCUMENT.		DWN N K NIKHIL 18NOV2023	TE Connectivity Ltd.	
DIMENSIONS: mm		CHK N MANTIKOU 20NOV2023		
TOLERANCES UNLESS OTHERWISE SPECIFIED:		APVD T LEININGER 20NOV2023	NAME RJ45 JACK THT 10/100 R/A LED 2X1	
0 PLC ± - 1 PLC ± 0.35 2 PLC ± 0.25 3 PLC ± 0.15 4 PLC ± - ANGLES ± 2		PRODUCT SPEC 108-94945	-	
MATERIAL		APPLICATION SPEC 114-97854	SIZE A3	CAGE CODE 00779
FINISH		WEIGHT 15.072g	DRAWING NO C-2501552-5	RESTRICTED TO -
CUSTOMER DRAWING			SCALE NTS	SHEET 1 OF 2
			REV A1	

REVISIONS					
P	LTR	DESCRIPTION	DATE	DWN	APVD
	-	SEE SHEET 1	-	-	-

NOTES: CONTINUATION FROM SHEET 1:

7 PROP 65 WARNING LABEL:

- THE WARNING LABEL ON THE PRODUCT OR LOWEST LEVEL PACKAGING
- CHEMICAL NAME: NICKEL (METALLIC)



WARNING: This product can expose you to chemicals including NICKEL (METALLIC) which is known to the state of California to cause cancer. For more information, visit www.P65Warnings.ca.gov.

THIS DRAWING IS A CONTROLLED DOCUMENT.		DWN N K NIKHIL 18NOV2023	STE TE Connectivity Ltd.		
		CHK N MANTIKOU 20NOV2023			
DIMENSIONS: mm		APVD T LEININGER 20NOV2023	NAME RJ45 JACK THT 10/100 R/A LED 2X1		
TOLERANCES UNLESS OTHERWISE SPECIFIED:		PRODUCT SPEC 108-94945	-		
0 PLC ± -		APPLICATION SPEC 114-97854	SIZE	CAGE CODE	DRAWING NO
1 PLC ± 0.35		WEIGHT 15.072g	A3	00779	C-2501552-5
2 PLC ± 0.25		FINISH	RESTRICTED TO		
3 PLC ± 0.15			-		
4 PLC ± -		MATERIAL	SCALE	SHEET	REV
ANGLES ± 2			CUSTOMER DRAWING	NTS	2 OF 2
1					