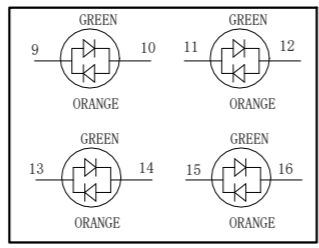
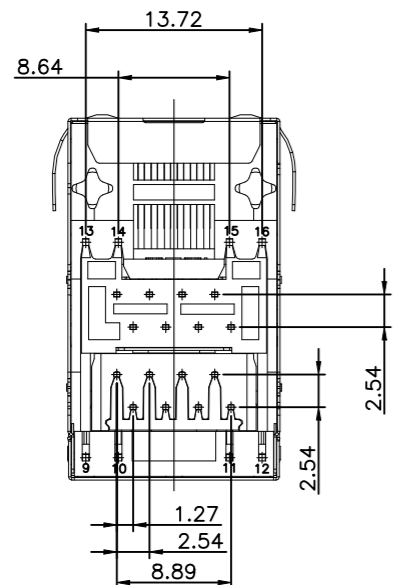
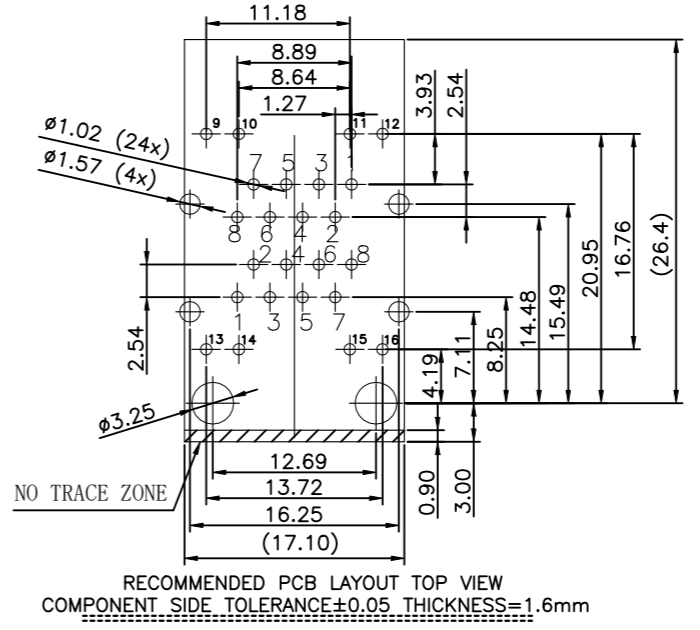
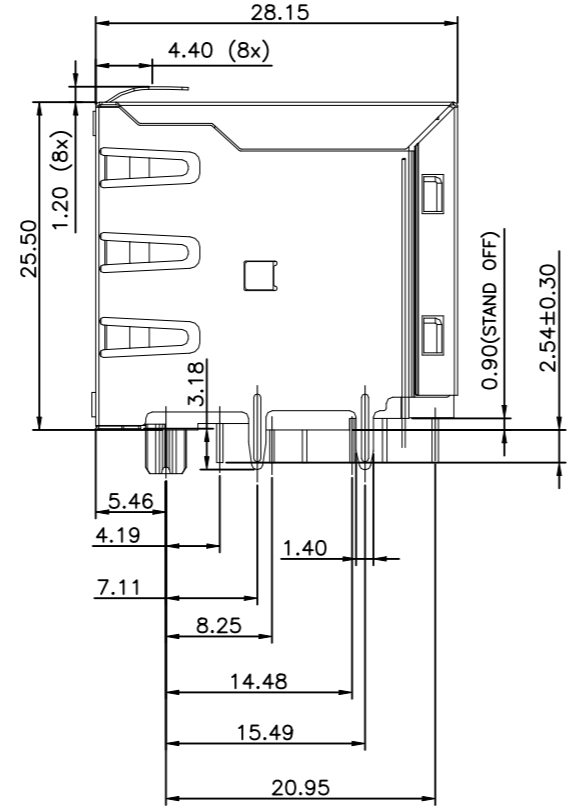
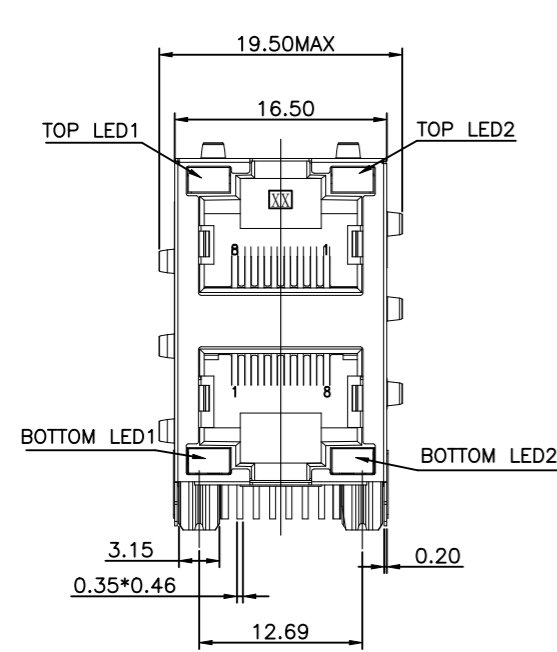
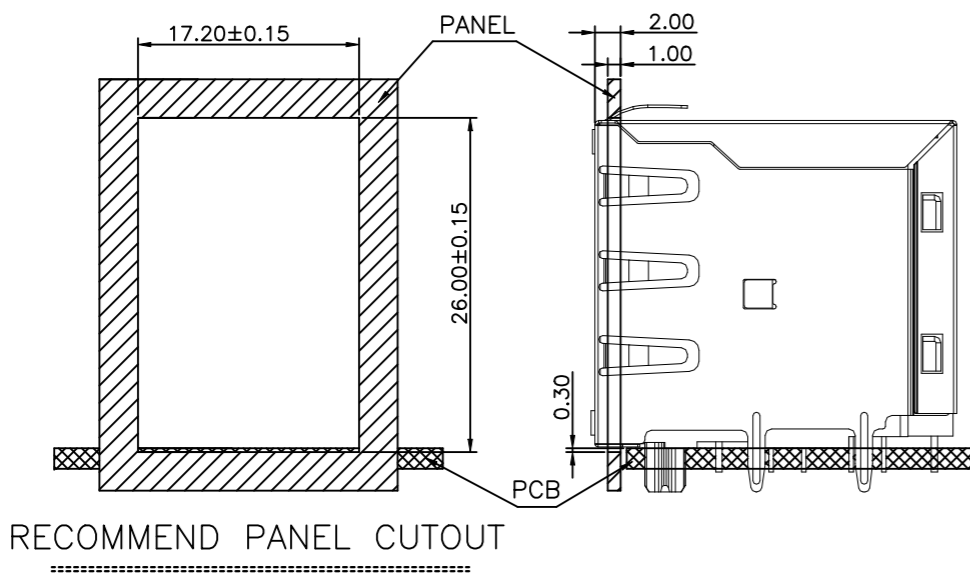
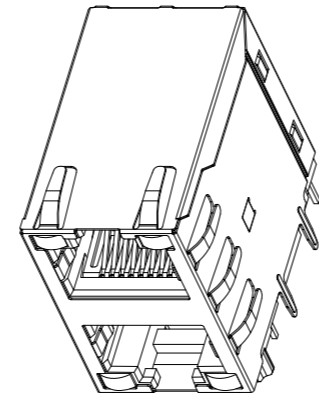


P	LTR	DESCRIPTION	DATE	DWN	APVD
	A1	NEW DRAWING	18NOV2023	NK	LET



FORWARD VOLTAGE:  $V_F=1.8-2.4V$   
FORWARD CURRENT:  $I_F=20mA$



- 1 CONNECTOR MATERIAL:  
HOUSING:LCP BLACK UL94V-0.  
INSERT:PA6T BLACK UL94V-0.  
SHIELD:COPPER ALLOY  
SHIELD PLATING:NICKEL  
CONTACT:PHOSPHOR BRONZE.  
CONTACT PLATING:30μinch GOLD PLATING ON CONTACT AREA.  
50μinch MIN.NICKEL UNDERPLATED OVER ALL.  
80μinch MIN.MATTE-TIN ON SOLDER TAIL.
- LED1:GREEN/ORANGE  
LED2:GREEN/ORANGE
- 2. DURABILITY: 750 CYCLES MIN;
- 3. CONNECTOR MATING, UNMATING FORCE: 30N MAX.
- 4. PLUG RETENTION FORCE: 50N MIN, 60s±5s.
- 5. RJ45 CAVITY DIMENSION CONFORM TO FCC PART 68
- 6. PACKAGING:TRAY ACCORDING TO PACKAGING SPECIFICATION 107-18116
- 7 PROP 65 WARNING LABEL:SEE SHEET 2


THIS DRAWING IS A CONTROLLED DOCUMENT.		DWN N K NIKHIL 18NOV2023	TE Connectivity Ltd.	
DIMENSIONS: mm		CHK N MANTIKOU 20NOV2023		
TOLERANCES UNLESS OTHERWISE SPECIFIED:		APVD T LEININGER 20NOV2023	NAME RJ45 JACK THT 10/100 R/A LED 2X1	
0 PLC ± - 1 PLC ± 0.35 2 PLC ± 0.25 3 PLC ± 0.15 4 PLC ± - ANGLES ± 2°		PRODUCT SPEC 108-94945	-	
MATERIAL		APPLICATION SPEC 114-97854	SIZE A3	CAGE CODE 00779
FINISH		WEIGHT 15.072g	DRAWING NO C-2501552-6	RESTRICTED TO -
CUSTOMER DRAWING			SCALE NTS	SHEET 1 OF 2
			REV A1	

REVISIONS					
P	LTR	DESCRIPTION	DATE	DWN	APVD
	-	SEE SHEET 1	-	-	-

NOTES: CONTINUATION FROM SHEET 1:

7 PROP 65 WARNING LABEL:

- THE WARNING LABEL ON THE PRODUCT OR LOWEST LEVEL PACKAGING
- CHEMICAL NAME: NICKEL (METALLIC)



**WARNING:** This product can expose you to chemicals including **NICKEL (METALLIC)** which is known to the state of California to cause cancer. For more information, visit [www.P65Warnings.ca.gov](http://www.P65Warnings.ca.gov).

THIS DRAWING IS A CONTROLLED DOCUMENT.		DWN N K NIKHIL 18NOV2023	<b>STE</b> TE Connectivity Ltd.		
		CHK N MANTIKOU 20NOV2023			
DIMENSIONS: mm		APVD T LEININGER 20NOV2023	NAME RJ45 JACK THT 10/100 R/A LED 2X1		
TOLERANCES UNLESS OTHERWISE SPECIFIED:		PRODUCT SPEC 108-94945	-		
0 PLC ± -		APPLICATION SPEC 114-97854	-		
1 PLC ± 0.35		WEIGHT 15.072g	SIZE A3	CAGE CODE 00779	DRAWING NO C-2501552-6
2 PLC ± 0.25		FINISH	RESTRICTED TO		
3 PLC ± 0.15			-		
4 PLC ± -		MATERIAL	SCALE NTS		
ANGLES ± 2°			SHEET 2 OF 2		
1		CUSTOMER DRAWING		REV A1	