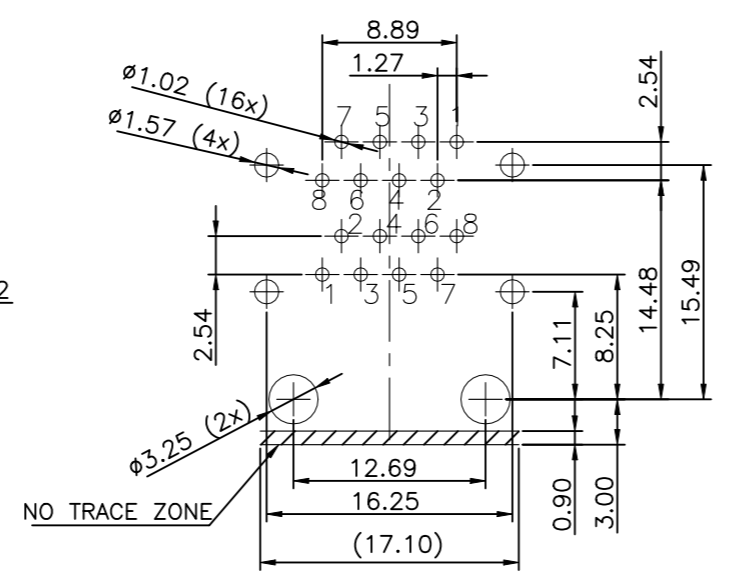
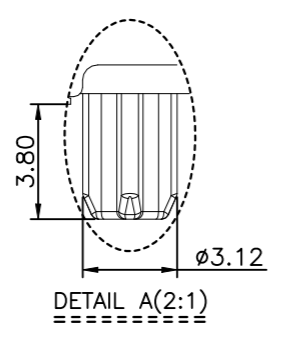
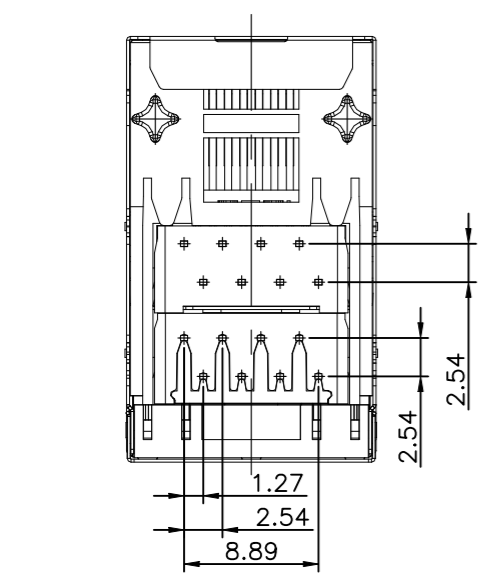
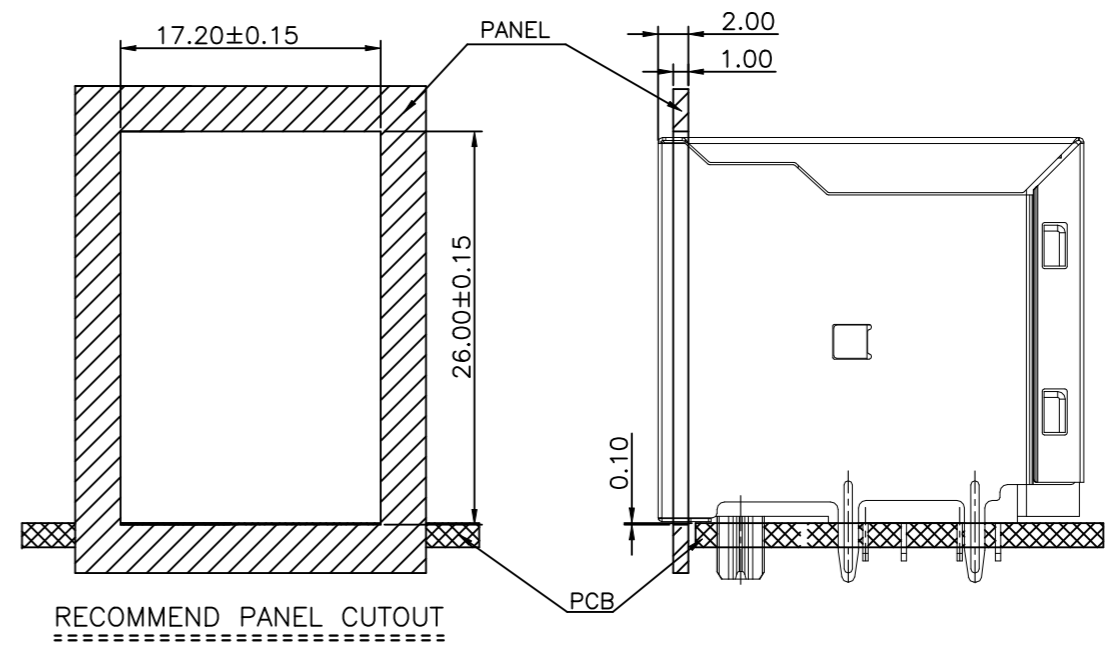
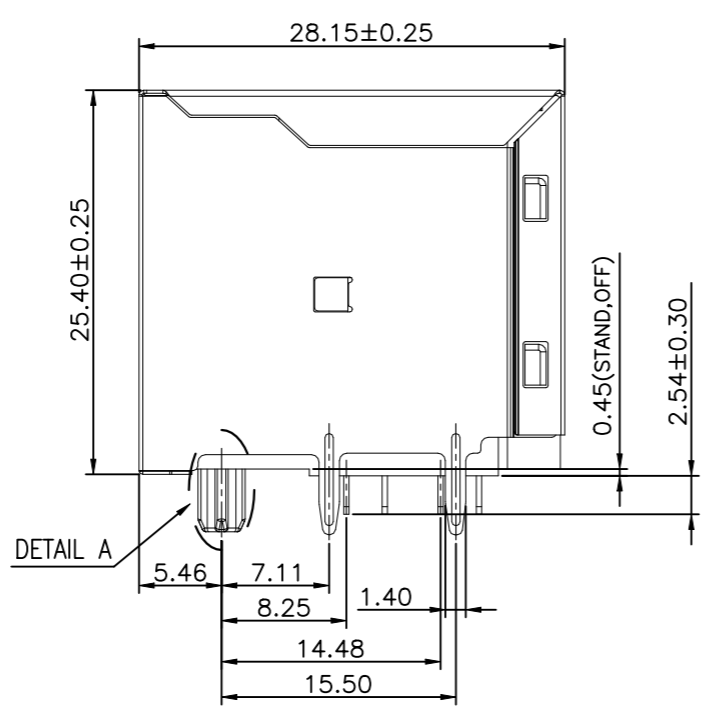
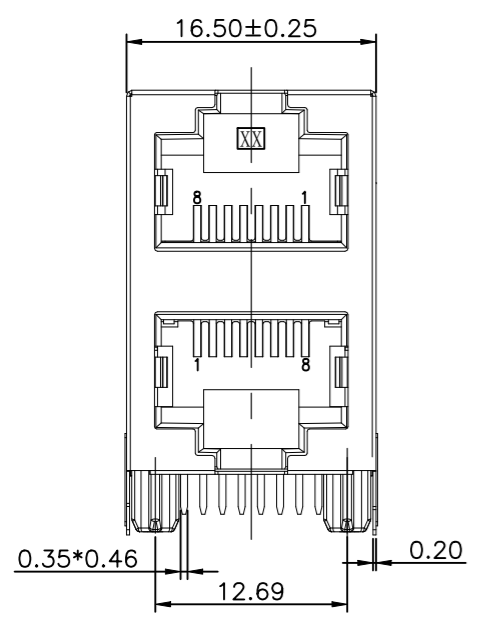


REVISIONS				
P	LTR	DESCRIPTION	DATE	APVD
	A1	NEW DRAWING	21NOV2023	ASB LET



RECOMMENDED PCB LAYOUT TOP VIEW
COMPONENT SIDE TOLERANCE±0.05 THICKNESS=1.6mm

- CONNECTOR MATERIAL:
- 1 HOUSING: LCP BLACK UL94V-0.
 - INSERT: PA6T BLACK UL94V-0.
 - SHIELD: COPPER ALLOY
 - SHIELD PLATING: NICKEL
 - CONTACT: PHOSPHOR BRONZE.
 - CONTACT PLATING: 30µinch GOLD PLATING ON CONTACT AREA.
 - 50µinch MIN. NICKEL UNDERPLATED OVER ALL.
 - 80µinch MIN. MATTE-TIN ON SOLDER TAIL.
- 2. RJ45 CAVITY DIMENSION CONFORM TO FCC PART 68
 - 3. PACKAGING: TRAY ACCORDING TO PACKAGING SPECIFICATION 107-18116
 - 4 PROP 65 WARNING LABEL: SEE SHEET 2


THIS DRAWING IS A CONTROLLED DOCUMENT.		DWN B S ADRUSH 20NOV2023	TE Connectivity	
DIMENSIONS: mm		CHK N MANTIKOU 23NOV2023		
TOLERANCES UNLESS OTHERWISE SPECIFIED:		APVD T LEININGER 23NOV2023	NAME RJ45 JACK THT 10/100 R/A 2X1	
0 PLC ± - 1 PLC ± 0.35 2 PLC ± 0.25 3 PLC ± 0.15 4 PLC ± - ANGLES ± 2°		PRODUCT SPEC 108-94945	-	
MATERIAL		APPLICATION SPEC 114-97854	SIZE A3	RESTRICTED TO -
FINISH		WEIGHT 14.862g	CAGE CODE 00779	DRAWING NO C-2501552-7
		CUSTOMER DRAWING		SCALE NTS
		SHEET 1 OF 2		REV A1

REVISIONS					
P	LTR	DESCRIPTION	DATE	DWN	APVD
	-	SEE SHEET 1	-	-	-

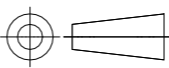
NOTES: CONTINUATION FROM SHEET 1:

4 PROP 65 WARNING LABEL:

- THE WARNING LABEL ON THE PRODUCT OR LOWEST LEVEL PACKAGING
- CHEMICAL NAME: NICKEL (METALLIC)



WARNING: This product can expose you to chemicals including NICKEL (METALLIC) which is known to the state of California to cause cancer. For more information, visit www.P65Warnings.ca.gov.

THIS DRAWING IS A CONTROLLED DOCUMENT.		DWN B S ADRUSH 20NOV2023	STE TE Connectivity		
		CHK N MANTIKOU 23NOV2023			
DIMENSIONS: mm		TOLERANCES UNLESS OTHERWISE SPECIFIED:		NAME RJ45 JACK THT 10/100 R/A 2X1	
		0 PLC ± -	PRODUCT SPEC 108-94945 APPLICATION SPEC 114-97854		RESTRICTED TO -
		1 PLC ± 0.35			
MATERIAL		2 PLC ± 0.25	APVD T LEININGER 23NOV2023	SIZE A3	CAGE CODE 00779
FINISH		3 PLC ± 0.15	DRAWING NO C-2501552-7		SCALE NTS
1		4 PLC ± -	SHEET 2 OF 2		REV A1
1		ANGLES ± 2°	CUSTOMER DRAWING		