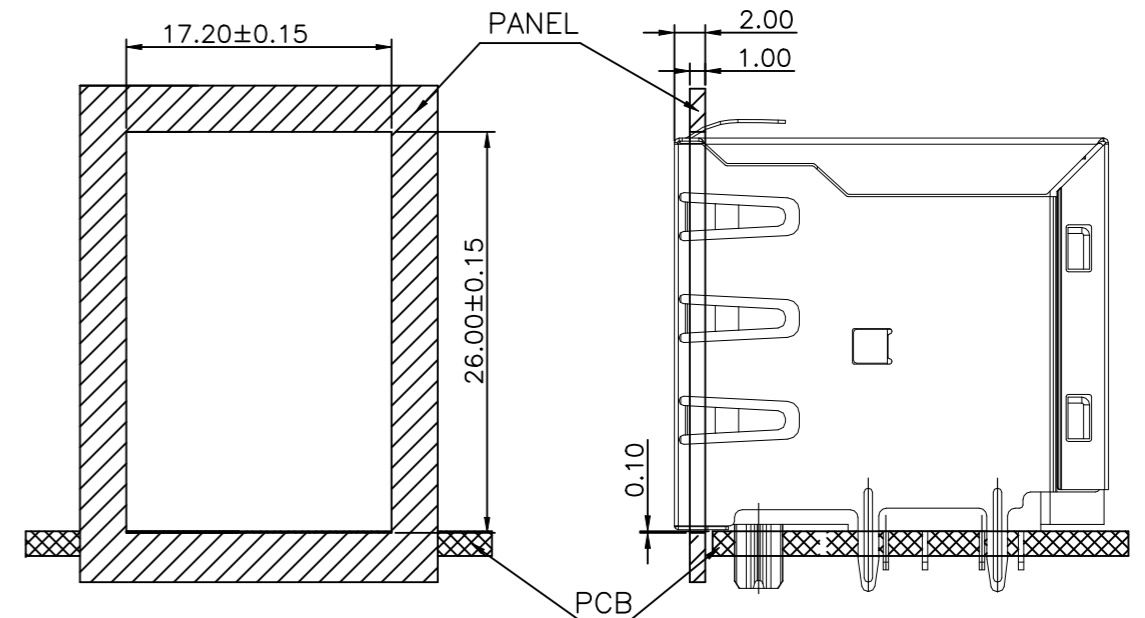
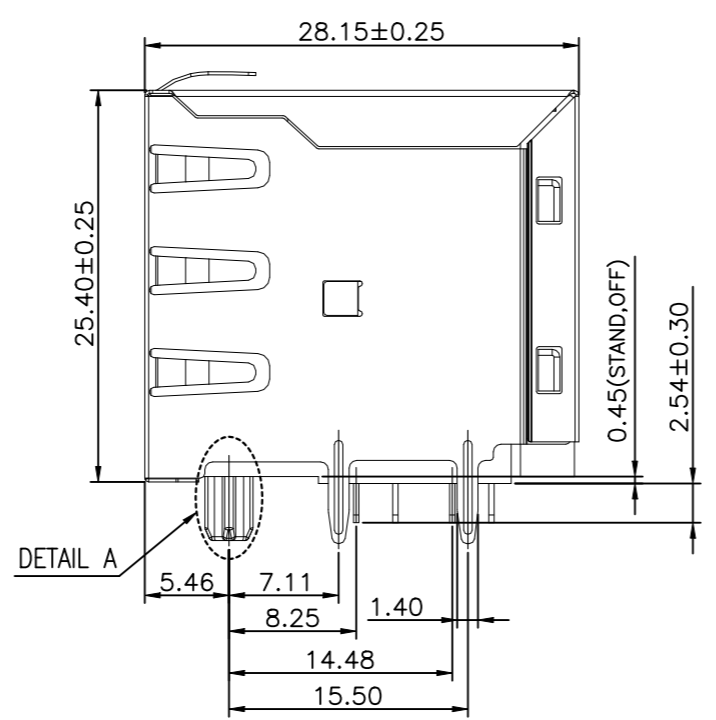
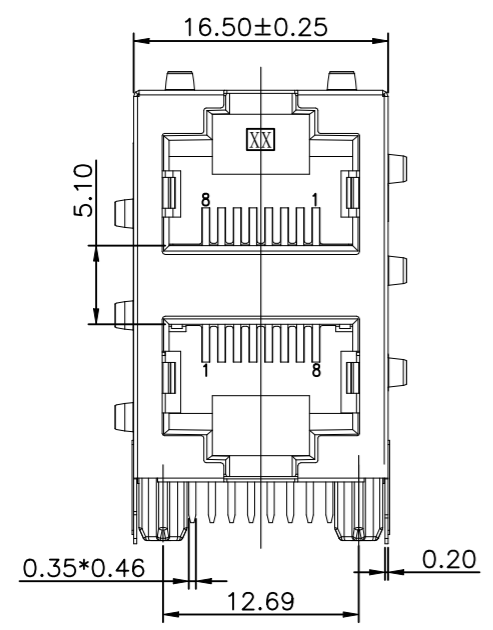
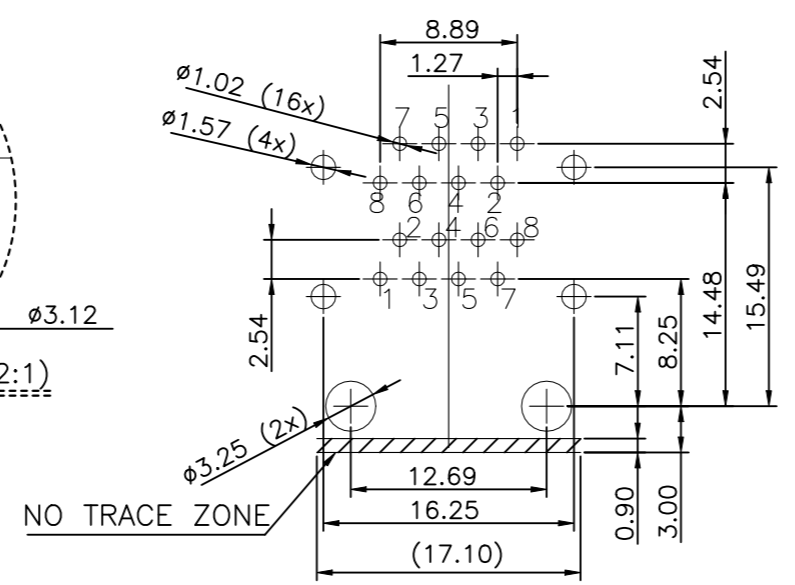
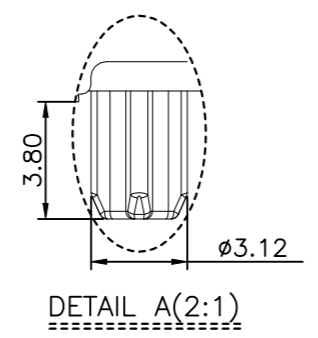
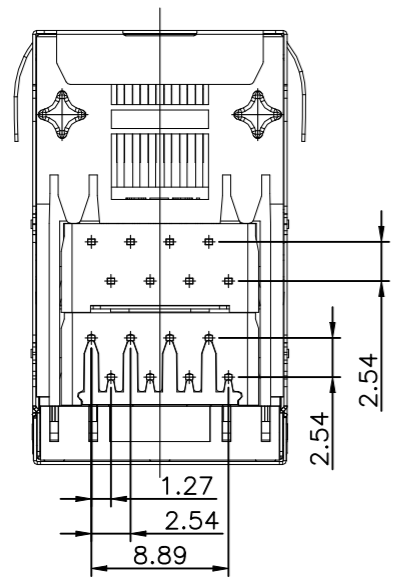


REVISIONS					
P	LTR	DESCRIPTION	DATE	DWN	APVD
	A1	NEW DRAWING	18NOV2023	NK	LET



RECOMMEND PANEL CUTOUT



RECOMMENDED PCB LAYOUT TOP VIEW  
COMPONENT SIDE TOLERANCE±0.05 THICKNESS=1.6mm

- 1 CONNECTOR MATERIAL:  
 HOUSING:LCP BLACK UL94V-0.  
 INSERT:PA6T BLACK UL94V-0.  
 SHIELD:COPPER ALLOY  
 SHIELD PLATING:NICKEL  
 CONTACT:PHOSPHOR BRONZE  
 CONTACT PLATING:30µinch GOLD PLATING ON CONTACT AREA.  
 50µinch MIN.NICKEL UNDERPLATED OVER ALL.  
 80µinch MIN.MATTE-TIN ON SOLDER TAIL.
- 2.RJ45 CAVITY DIMENSION CONFORM TO FCC PART 68
- 3. PACKAGING:TRAY ACCORDING TO PACKAGING SPECIFICATION  
 107-18116
- 4 PROP 65 WARNING LABEL:SEE SHEET 2


THIS DRAWING IS A CONTROLLED DOCUMENT.		DWN N K NIKHIL 18NOV2023	TE Connectivity Ltd.		
DIMENSIONS: mm		CHK N MANTIKOU 20NOV2023			
TOLERANCES UNLESS OTHERWISE SPECIFIED:		APVD T LEININGER 20NOV2023	NAME RJ45 JACK THT 10/100 R/A 2X1		
0 PLC ± - 1 PLC ± 0.35 2 PLC ± 0.25 3 PLC ± 0.15 4 PLC ± - ANGLES ± 2°		PRODUCT SPEC 108-94945	-		
MATERIAL		APPLICATION SPEC 114-97854	SIZE A3	CAGE CODE 00779	DRAWING NO C-2501552-8
FINISH		WEIGHT 14.862g	RESTRICTED TO -		
		CUSTOMER DRAWING	SCALE NTS	SHEET 1 OF 2	REV A1

REVISIONS					
P	LTR	DESCRIPTION	DATE	DWN	APVD
	-	SEE SHEET 1	-	-	-

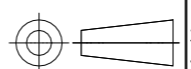
NOTES: CONTINUATION FROM SHEET 1:

4 PROP 65 WARNING LABEL:

- THE WARNING LABEL ON THE PRODUCT OR LOWEST LEVEL PACKAGING
- CHEMICAL NAME: NICKEL (METALLIC)



**WARNING:** This product can expose you to chemicals including NICKEL (METALLIC) which is known to the state of California to cause cancer. For more information, visit [www.P65Warnings.ca.gov](http://www.P65Warnings.ca.gov).

THIS DRAWING IS A CONTROLLED DOCUMENT.		DWN N K NIKHIL	18NOV2023	<b>STE</b> TE Connectivity Ltd.	
		CHK N MANTIKOU	20NOV2023		
		APVD T LEININGER	20NOV2023	NAME RJ45 JACK THT 10/100 R/A 2X1	
DIMENSIONS: mm		TOLERANCES UNLESS OTHERWISE SPECIFIED:		PRODUCT SPEC 108-94945	
		0 PLC	± -	APPLICATION SPEC 114-97854	
		1 PLC	± 0.35	SIZE A3	
		2 PLC	± 0.25	CAGE CODE 00779	DRAWING NO C-2501552-8
		3 PLC	± 0.15	RESTRICTED TO -	
		4 PLC	± -	SCALE NTS	
		ANGLES	± 2°	SHEET 2 OF 2	
MATERIAL 1		FINISH 1		REV A1	
CUSTOMER DRAWING					