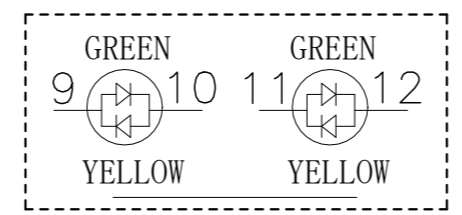
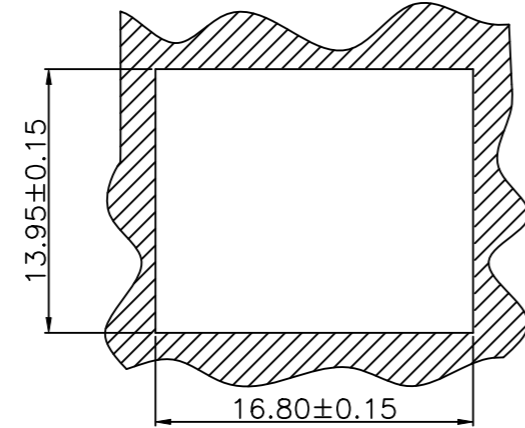
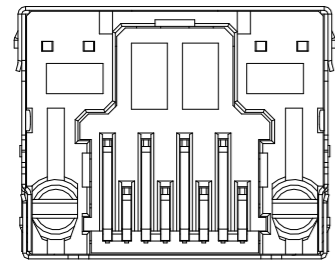
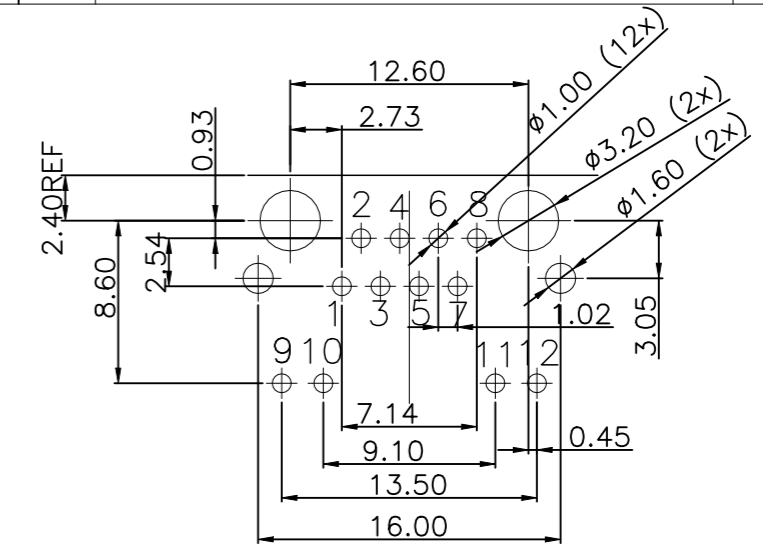


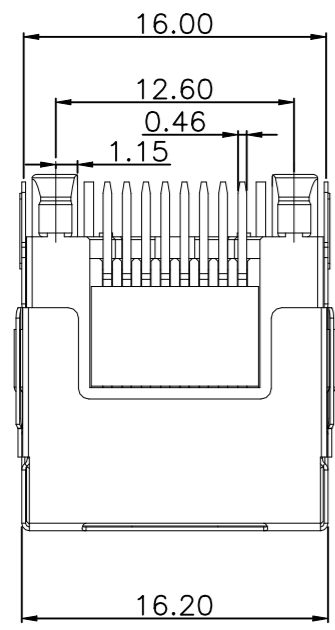
REVISIONS					
P	LTR	DESCRIPTION	DATE	DWN	APVD
	A1	NEW DRAWING	17NOV2023	NK	JDB



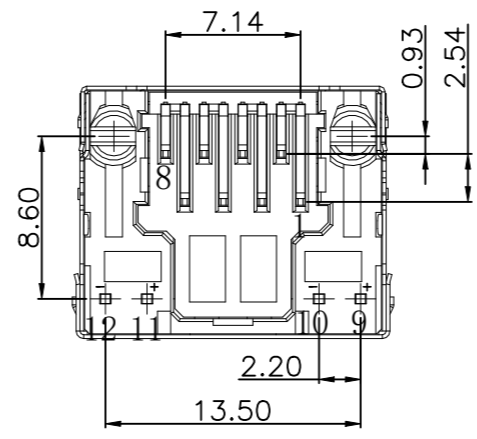
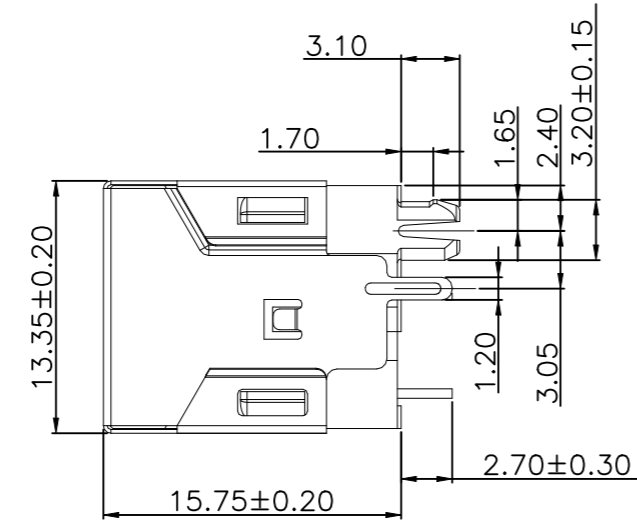
LED PIN DEFINE
 FORWARD VOLTAGE: VF=1.8-2.4V
 FORWARD CURRENT: IF=20mA



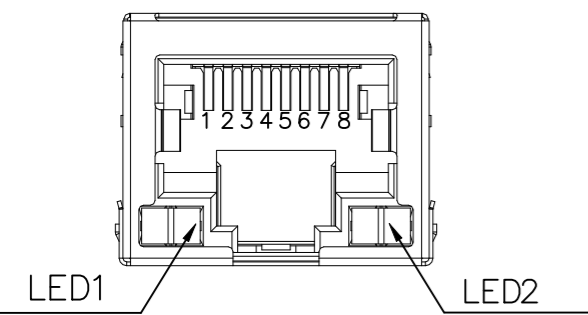
RECOMMENDED PCB LAYOUT TOP VIEW
 T=1.6 COMPONENT SIDE TOLERANCE±0.05



RECOMMENDED PANEL CUT OUT



- 1 CONNECTOR MATERIAL:
 HOUSING: PA46 BLACK UL94V-0.
 INSERT: PBT UL94V-0.
 SHIELD: COPPER ALLOY, THICKNESS 0.2mm
 SHIELD PLATING: NICKEL
 CONTACT: PHOSPHOR BRONZE.
 CONTACT PLATING: 30µinch GOLD PLATING ON CONTACT AREA.
 50µinch MIN. NICKEL UNDERPLATED OVER ALL.
 80µinch MIN. MATTE-TIN ON SOLDER TAIL.
- LED1: GREEN/YELLOW.
 LED2: GREEN/YELLOW.
- 2. RJ45 CAVITY DIMENSION CONFORM TO FCC PART 68
- 3. PACKAGING: TRAY ACCORDING TO PACKAGING SPECIFICATION 107-18116
- 4 PROP 65 WARNING LABEL: SEE SHEET 2




THIS DRAWING IS A CONTROLLED DOCUMENT.		DWN N K NIKHIL 17NOV2023	TE Connectivity Ltd.		
DIMENSIONS: mm		CHK N MANTIKOU 19NOV2023			
TOLERANCES UNLESS OTHERWISE SPECIFIED:		APVD T LEININGER 19NOV2023	NAME RJ45 JACK THT 10/100 VERT. LED 1X1		
0 PLC ± - 1 PLC ± 0.35 2 PLC ± 0.25 3 PLC ± 0.15 4 PLC ± - ANGLES ± 2°		PRODUCT SPEC 108-94945	-		
MATERIAL		APPLICATION SPEC 114-97854	SIZE A3	CAGE CODE 00779	DRAWING NO C-2501552-9
FINISH		WEIGHT 4.027g	RESTRICTED TO -		SCALE NTS
		CUSTOMER DRAWING		SHEET 1 OF 2	REV A1

REVISIONS					
P	LTR	DESCRIPTION	DATE	DWN	APVD
	-	SEE SHEET 1	-	-	-

NOTES: CONTINUATION FROM SHEET 1:

4 PROP 65 WARNING LABEL:

- THE WARNING LABEL ON THE PRODUCT OR LOWEST LEVEL PACKAGING
- CHEMICAL NAME: NICKEL (METALLIC)



WARNING: This product can expose you to chemicals including NICKEL (METALLIC) which is known to the state of California to cause cancer. For more information, visit www.P65Warnings.ca.gov.

THIS DRAWING IS A CONTROLLED DOCUMENT.		DWN N K NIKHIL 17NOV2023	STE TE Connectivity Ltd.		
DIMENSIONS: mm		CHK N MANTIKOU 19NOV2023			
TOLERANCES UNLESS OTHERWISE SPECIFIED:		APVD T LEININGER 19NOV2023	NAME RJ45 JACK THT 10/100 VERT. LED 1X1		
0 PLC ± -		PRODUCT SPEC 108-94945	-		
1 PLC ± 0.35		APPLICATION SPEC 114-97854	-		
2 PLC ± 0.25		WEIGHT 4.027g	SIZE A3	CAGE CODE 00779	DRAWING NO C-2501552-9
3 PLC ± 0.15		FINISH 1	RESTRICTED TO -		SCALE NTS
4 PLC ± -			SHEET 2 OF 2		
ANGLES ± 2°		CUSTOMER DRAWING		REV A1	